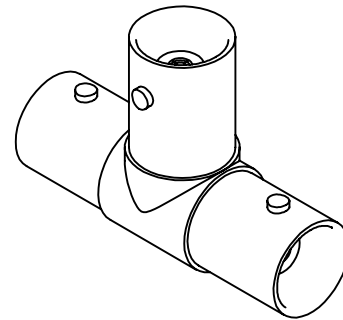
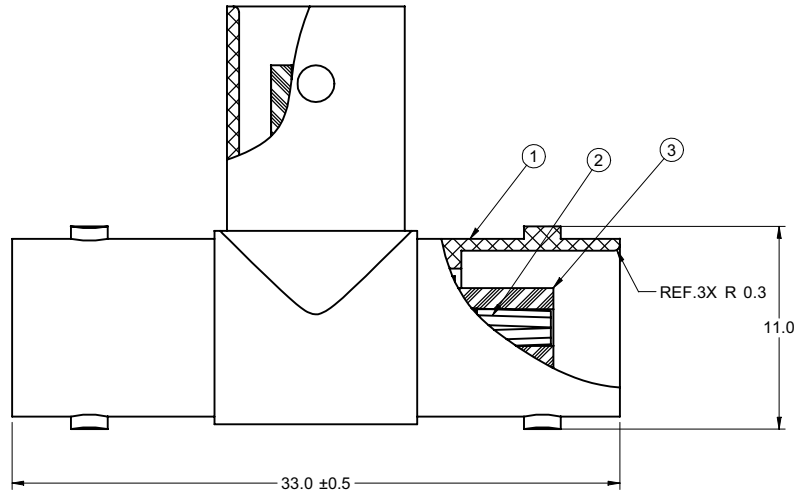
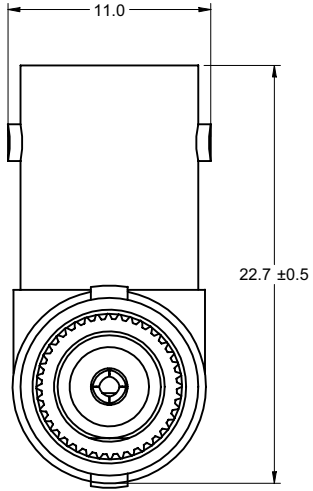


PART NUMBER	ITEM ① BODY	ITEM ② CONTACT	ITEM ③ INSULATOR
27-8141	ZINC NICKEL PLATED	BERYLLIUM GOLD PLATED	TPX

受控 CONTROLLED DOCUMENT

编号 P/N	27-8141	版本 Rev	01	日期 Rel'd Date	May8,09
-----------	---------	-----------	----	------------------	---------

DRAWING NO. 27-8141	
REVISIONS	
01	OFFICIAL RELEASE
04-13-09	0 2 1 1
<small>Thomas Chow 2009.05.04 14:40:40 +08'00'</small>	



NOTES:

1. IMPEDANCE: 50 OHMS NOMINAL
2. FREQUENCY RANGE: 0-4 GHz
3. RECOMMENDED TEMPERATURE RANGE: -55 °C TO +85°C
4. FURTHER TECHNICAL DETAIL: REFER TO EMERSON DOCUMENT P/N 27-0000

THIS DRAWING TO BE INTERPRETED
PER ANSI Y 14.5M - 1994

COMPANY CONFIDENTIAL

TOLERANCE UNLESS OTHERWISE SPECIFIED		DRAWN BY GARY.ZHG	DATE 04-13-09
DECIMALS	mm	CHECKED BY BETTY.YU	DATE 04-13-09
X	+ 0.5	APPROVED BY THOMAS	DATE 04-13-09
X.X	+ 0.2	U/M	mm
X.XX	+ 0.1		
ANGLES	+ 0.5°		

EMERSON
Network Power

Connectivity Solutions

TITLE
50 OHM BNC T ADAPTER

THIS DRAWING WAS PRODUCED BY COMPUTER. DO NOT SCALE DRAWING OR UPDATE MANUALLY.		SHEET 1 OF 1	DRAWING NO. 27-8141	SIZE C
------------------------------------------------------------------------------------	--	-----------------	------------------------	-----------

Mouser Electronics

Authorized Distributor

Click to View Pricing, Inventory, Delivery & Lifecycle Information:

[Cinch Connectivity Solutions:](#)

[27-8141](#)