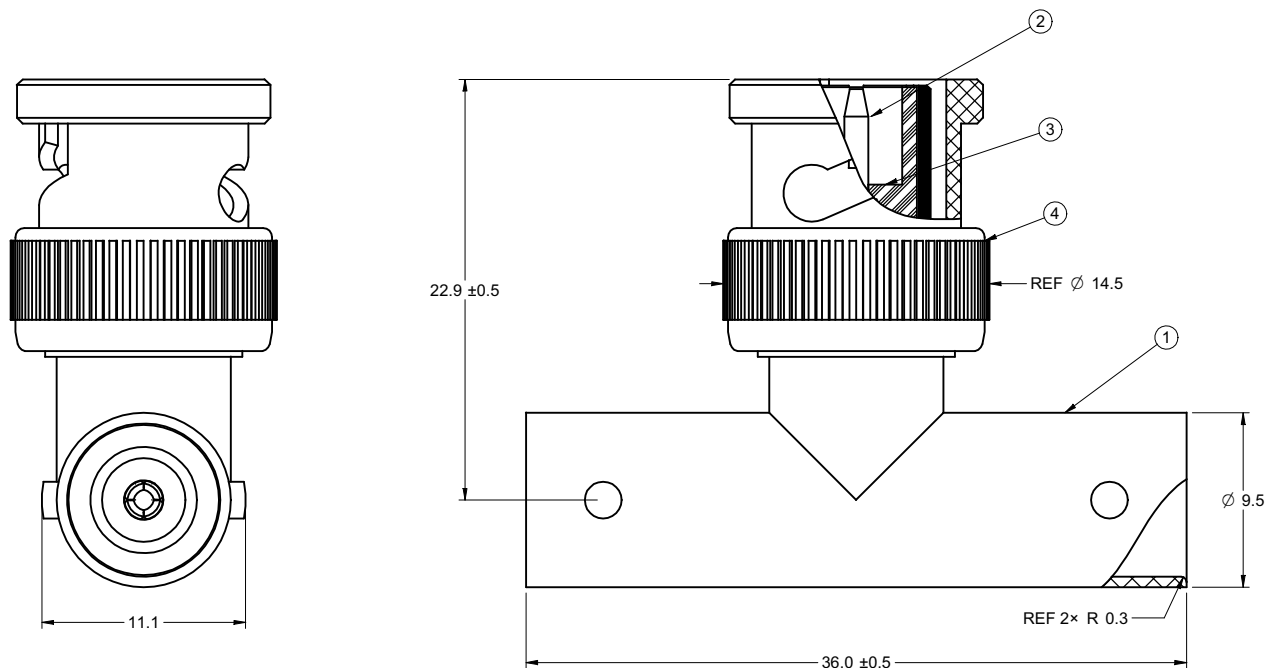


PART NUMBER	ITEM ① BODY	ITEM ② CONTACT	ITEM ③ INSULATOR	ITEM ④ NUT
27-8140	ZINC NICKEL PLATED	BRASS GOLD PLATED	DELIN	ZINC NICKEL PLATED

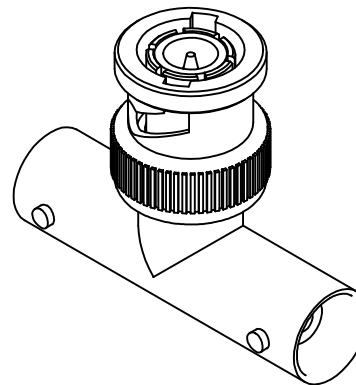
DRAWING NO. 27-8140	
REVISIONS	
01	OFFICIAL RELEASE 2008.08.09 08-28-09 Y U W T <i>Betty</i> 08-41-09 + 08 00



受控 CONTROLLED DOCUMENT					
编号 P/N	27-8140	版本 Rev	01	日期 Rel'd Date	SEP 14, 09

NOTES:

1. IMPEDANCE: 50 OHMS NOMINAL
2. FREQUENCY RANGE: 0-4 GHz
3. PRODUCT SHOULD BE RoHS COMPLIANCE
4. TECHNICAL DETAIL: REFER TO EMERSON DOCUMENT P/N 27-0000.



THIS DRAWING TO BE INTERPRETED
PER ANSI Y 14.5M - 1994

COMPANY CONFIDENTIAL

TOLERANCE UNLESS OTHERWISE SPECIFIED		DRAWN BY GARY.ZHG	DATE 08-28-09
DECIMALS	mm	CHECKED BY TERRY.W	DATE 08-28-09
X	+ 0.5	APPROVED BY THOMAS	DATE 08-28-09
X.X	+ 0.2	U/M	mm
X.XX	+ 0.1		
ANGLES	+ 0.5°		

		Connectivity Solutions
TITLE 50 OHM BNC T ADAPTER (UG-274U)		

THIS DRAWING WAS PRODUCED BY COMPUTER,
DO NOT SCALE DRAWING OR UPDATE MANUALLY.

SHEET 1 OF 1	DRAWING NO. 27-8140	SIZE C
-----------------	------------------------	-----------

Mouser Electronics

Authorized Distributor

Click to View Pricing, Inventory, Delivery & Lifecycle Information:

[Cinch Connectivity Solutions:](#)

[27-8140](#)