

5

4

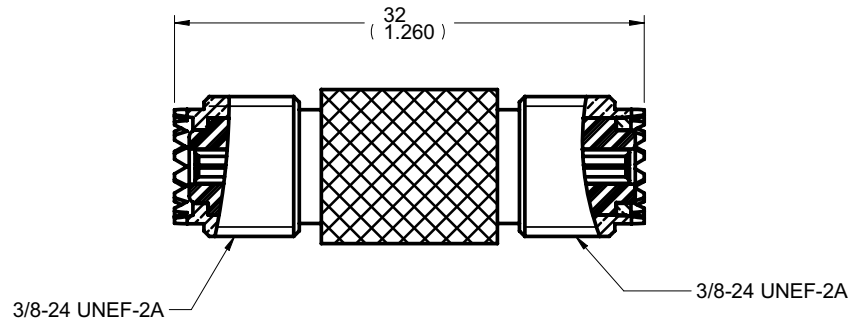
3

2

1

受控 CONTROLLED DOCUMENT				
编号 P/N	29-4110	版本 Rev	02	日期 Rel'd Date
Aug9,11				

Description: Mini UHF FM TO FM
 Part No: 29-4110
 Application: UHF to UHF adaptor
 Crimp Tool: N/A
 Impedance: N/A
 Frequency Range: N/A
 Material: Body Brass Nickel Plated
 Insulator Delrin
 Contact Brass Gold Plated
 RoHS Compliance: Yes
 Technical Detail: Refer to Emerson Document P/N 29-0000



DIM OUTLINE

DRAWING NO.
29-4110

REVISIONS

01	OFFICIAL RELEASE				
	08-05-09	I	W	T	H
02	CHANGE INSULATOR MATERIAL FROM TEFLON TO DELRIN CHANGE CONTACT MATERIAL FROM BERYLLIUM TO BRASS				
	07-01-11	L	H	M	ECO-11-0127

CUSTOMER COPY

TOLERANCE UNLESS OTHERWISE SPECIFIED		DRAWN BY Wencan Li	DATE 07-01-11
DECIMALS	mm	CHECKED BY Hu Yuge	DATE 07-01-11
X	± 0.5	APPROVED BY Ma Lin	DATE 07-01-11
X.X	± 0.3		
X.XX	± 0.1		
ANGLES	± 0.5V	U/M	mm

 **cinch**
CONNECTIVITY SOLUTIONS
a bel group

TITLE
**CPAD240 MINI-UHF (F-F)
ADAPTER**

THIS DRAWING WAS PRODUCED BY COMPUTER,
DO NOT SCALE DRAWING OR UPDATE MANUALLY.

SHEET 1 OF 1	DRAWING NO. 29-4110	SIZE A
-----------------	------------------------	-----------

5

4

3

2

1

for evaluation on

Mouser Electronics

Authorized Distributor

Click to View Pricing, Inventory, Delivery & Lifecycle Information:

[Cinch Connectivity Solutions:](#)

[29-4110](#)