

5

4

3

2

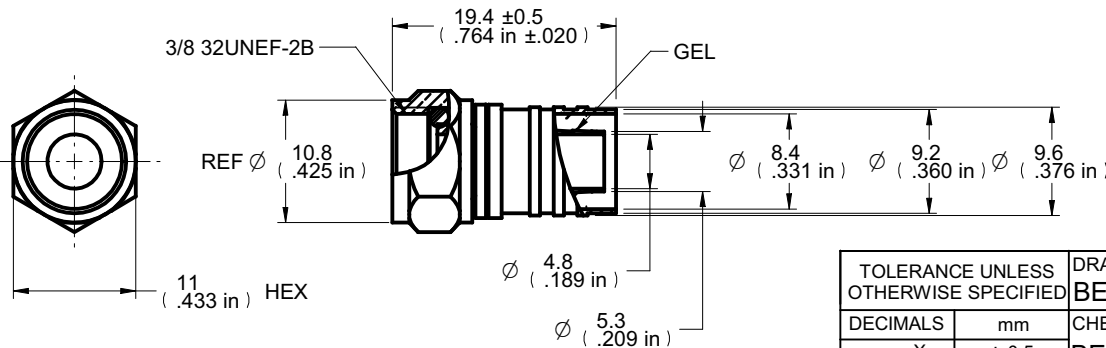
1

DRAWING NO.	
25-7066-CUST	
REVISIONS	
01	OFFICIAL RELEASE
	08-21-09 Y U Y T H Betty 2009.09.09 09:15:30 +0800

Description: F-56 W/P Gel Chromate 1/2 Ring  
 Part No: 25-7066  
 Application: For RG6 Cable  
 Crimp Tool: 24-7710P  
 Impedance: 75 Ohms  
 Frequency Range: 0-750 MHz  
 Material: Body Brass Chromate plated  
 Nut Brass Chromate plated  
 Gasket Rubber Nature  
 RoHS Compliance: Yes  
 Technical Detail: Refer to Emerson Document P/N 25-0000



受控 CONTROLLED DOCUMENT					
编号 P/N	25-7066-CUST	版本 Rev	01	日期 Rel'd Date	SEP 14,09



**DIM OUTLINE**

TOLERANCE UNLESS OTHERWISE SPECIFIED		DRAWN BY		DATE	
DECIMALS	mm	BETTY.YU		08-21-09	
X	± 0.5	CHECKED BY		DATE	
X.X	± 0.3	BETTY.YU		08-21-09	
X.XX	± 0.1	APPROVED BY		DATE	
ANGLES	± 0.5°	THOMAS		08-21-09	
		U/M	mm	⊕ ⊞	

**CUSTOMER COPY**



TITLE		
F-56 W/P GEL CHROMATE 1/2 RING		
SHEET	DRAWING NO.	SIZE
1 OF 1	25-7066-CUST	A

THIS DRAWING WAS PRODUCED BY COMPUTER, DO NOT SCALE DRAWING OR UPDATE MANUALLY.

5

4

3

2

1

# Mouser Electronics

Authorized Distributor

Click to View Pricing, Inventory, Delivery & Lifecycle Information:

[Cinch Connectivity Solutions:](#)

[25-7066](#)