

5

4

3

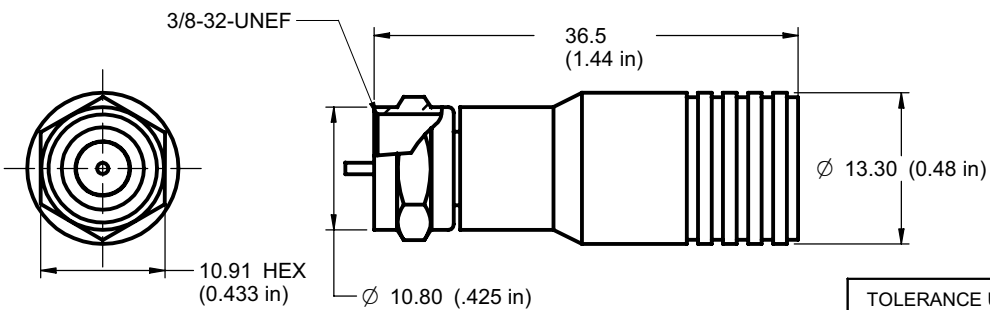
2

1

受控 CONTROLLED DOCUMENT					
编号 P/N	25-7191-CUST	版本 Rev	01	日期 Rel'd Date	Apr29,09

DRAWING NO. 25-7191-CUST			
REVISIONS			
01	OFFICIAL RELEASE		
	02-20-09	T W	B Y

Description: One Piece Crimp on F-connector
 Part No: 25-7191
 Application: For Cable RG-11, Tri-Quad Shield
 Crimp Tool: 24-8866P
 Impedance: 75 Ohms
 Frequency Range: 0-750 MHz
 Material: Body Brass Nickel plated
 Contact Brass Nickel plated
 Nut Brass Nickel plated
 RoHS Compliance: Yes
 Technical Detail: Refer to Emerson Document P/N 25-0000



DIM OUTLINE

CUSTOMER COPY

TOLERANCE UNLESS OTHERWISE SPECIFIED		DRAWN BY	DATE
DECIMALS	mm	TERRY.W	02-20-09
X	± 0.5	CHECKED BY	DATE
X.X	± 0.3	BETTY.YU	02-20-09
X.XX	± 0.1	APPROVED BY	DATE
ANGLES	± 0.5°	THOMAS	02-20-09
		U/M	mm



cinch
CONNECTIVITY SOLUTIONS
a bel group

TITLE
ONE PIECE CRIMP-ON F CONNECTOR

THIS DRAWING WAS PRODUCED BY COMPUTER, DO NOT SCALE DRAWING OR UPDATE MANUALLY.		SHEET 1 OF 1	DRAWING NO. 25-7191-CUST	SIZE A
---	--	-----------------	------------------------------------	------------------

5

4

3

2

1

Mouser Electronics

Authorized Distributor

Click to View Pricing, Inventory, Delivery & Lifecycle Information:

[Cinch Connectivity Solutions:](#)

[25-7191](#)