

5

4

3

2

1



Description: CPAD557 BNC Adpter, Jack To Jack  
 Part No: 28-84707  
 Application: Adapter  
 Crimp Tool: N/A  
 Impedance: 75 ohm  
 Frequency Range: 0~2 GHz  
 Material: Body Zinc Nickel plated  
 Insulator Delrin  
 Contact Berllium Gold plated  
 Mounting nut Brass Nickel plated  
 Lockwasher Steel Nickel plated

RoHS Compliance: Yes  
 Technical Detail: Refer to Emerson Document P/N 27-0000

DRAWING NO.  
28-84707

REVISIONS

01	OFFICIAL RELEASE	2009.09.0
	08-18-09	09:38:15 +0800C

D

D

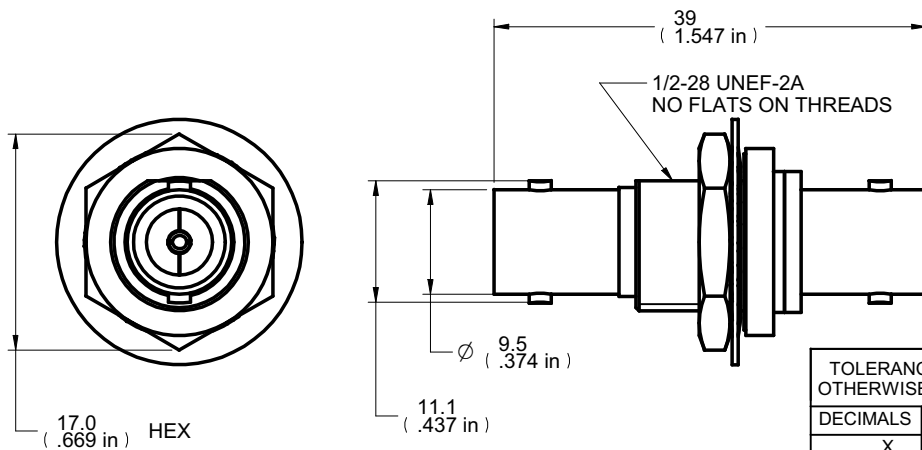
C

C

受控 CONTROLLED DOCUMENT					
编号 P/N	28-84707-CUST	版本 Rev	01	日期 Rel'd Date	SEP 14,09

B

B



A

A

**DIM OUTLINE**

CUSTOMER COPY

TOLERANCE UNLESS OTHERWISE SPECIFIED		DRAWN BY	DATE
DECIMALS	mm	LINDA.WU	08-18-09
X	± 0.5	CHECKED BY	DATE
X.X	± 0.3	LINDA.WU	08-18-09
X.XX	± 0.1	APPROVED BY	DATE
ANGLES	± 0.5°	THOMAS	08-18-09
		U/M	mm



TITLE  
CPAD557 BNC ADPTR, JACK TO JACK

THIS DRAWING WAS PRODUCED BY COMPUTER,  
DO NOT SCALE DRAWING OR UPDATE MANUALLY.

SHEET 1 OF 1	DRAWING NO. 28-84707	SIZE A
-----------------	-------------------------	-----------

5

4

3

2

1

# Mouser Electronics

Authorized Distributor

Click to View Pricing, Inventory, Delivery & Lifecycle Information:

[Cinch Connectivity Solutions:](#)

[28-84707](#)