

5

4

3

2

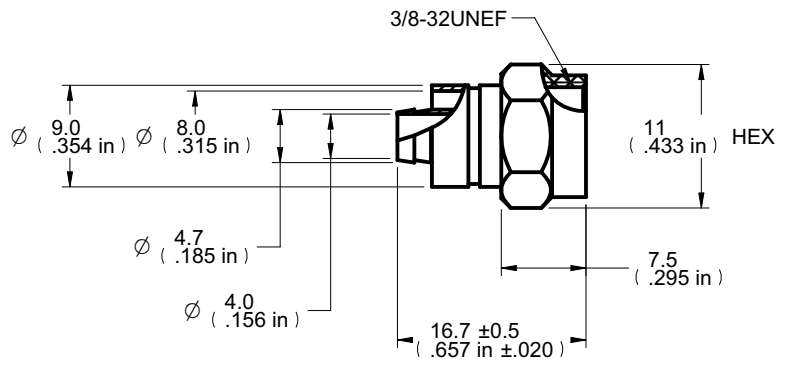
1

| | | | |
|--------------|------------------|--------|--------|
| DRAWING NO. | | | |
| 25-7050-CUST | | | |
| REVISIONS | | | |
| 01 | OFFICIAL RELEASE | | |
| | 08-21-09 | Y U | Y U |



Description: F-59 With Attached 1/8 Ring
 Part No: 25-7050
 Application: For RG59 Cable
 Crimp Tool: 24-7710 or 24-8866P
 Impedance: 75 Ohms
 Frequency Range: 0-750 MHz
 Material: Body Brass Nickel plated
 Nut Zinc Nickel plated
 RoHS Compliance: Yes
 Technical Detail: Refer to Emerson Document P/N 25-0000

| 受控 CONTROLLED DOCUMENT | | | | | |
|------------------------|--------------|-----------|----|------------------|-----------|
| 编号 P/N | 25-7050-CUST | 版本 Rev | 01 | 日期 Rel'd Date | SEP 14,09 |



DIM OUTLINE

CUSTOMER COPY

| | | | |
|--------------------------------------|--------|-------------|----------|
| TOLERANCE UNLESS OTHERWISE SPECIFIED | | DRAWN BY | DATE |
| DECIMALS | mm | BETTY.YU | 08-21-09 |
| X | ± 0.5 | CHECKED BY | DATE |
| X.X | ± 0.3 | BETTY.YU | 08-21-09 |
| X.XX | ± 0.1 | APPROVED BY | DATE |
| ANGLES | ± 0.5° | THOMAS | 08-21-09 |
| | | U/M | mm |



| | |
|-------|-----------------------------|
| TITLE | F-59 WITH ATTACHED 1/8 RING |
|-------|-----------------------------|

THIS DRAWING WAS PRODUCED BY COMPUTER, DO NOT SCALE DRAWING OR UPDATE MANUALLY.

| | | |
|--------|--------------|------|
| SHEET | DRAWING NO. | SIZE |
| 1 OF 1 | 25-7050-CUST | A |

5

4

3

2

1

Mouser Electronics

Authorized Distributor

Click to View Pricing, Inventory, Delivery & Lifecycle Information:

[Cinch Connectivity Solutions:](#)

[25-7050](#)