

5

4

3

2

1

受控 CONTROLLED DOCUMENT					
编号 P/N	25-7121-CUST	版本 Rev	01	日期 Rel'd Date	Apr29,09

DRAWING NO.
25-7121-CUST

REVISIONS						
01	OFFICIAL RELEASE					
	03-10-09	Y	U	Y	U	TH

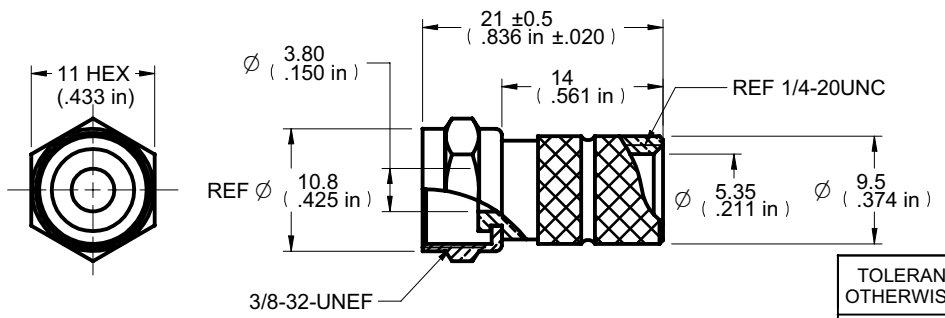
D



Description: F-59 Twist on Deluxe 1/2 Body
 Part No: 25-7121
 Application: For standard RG-59 Cable
 Crimp Tool: N/A
 Impedance: 75 Ohms
 Frequency Range: 0-750 MHz
 Material: Body Brass Nickel plated
 Nut Zinc Nickel plated
 RoHS Compliance: Yes
 Technical Detail: Refer to Emerson Document P/N 25-0000

C

B



A

DIM OUTLINE

CUSTOMER COPY



TOLERANCE UNLESS OTHERWISE SPECIFIED		DRAWN BY	DATE
DECIMALS	mm	BETTY.YU	03-10-09
X	± 0.5	CHECKED BY	DATE
X.X	± 0.3	BETTY.YU	03-10-09
X.XX	± 0.1	APPROVED BY	DATE
ANGLES	± 0.5°	THOMAS	03-10-09
		U/M	mm

TITLE
F-59 TWIST ON DELUXE 1/2 BODY

THIS DRAWING WAS PRODUCED BY COMPUTER,
DO NOT SCALE DRAWING OR UPDATE MANUALLY.

SHEET	DRAWING NO.	SIZE
1 OF 1	25-7121-CUST	A

5

4

3

2

1

Mouser Electronics

Authorized Distributor

Click to View Pricing, Inventory, Delivery & Lifecycle Information:

[Cinch Connectivity Solutions:](#)

[25-7121](#)