

5

4

3

2

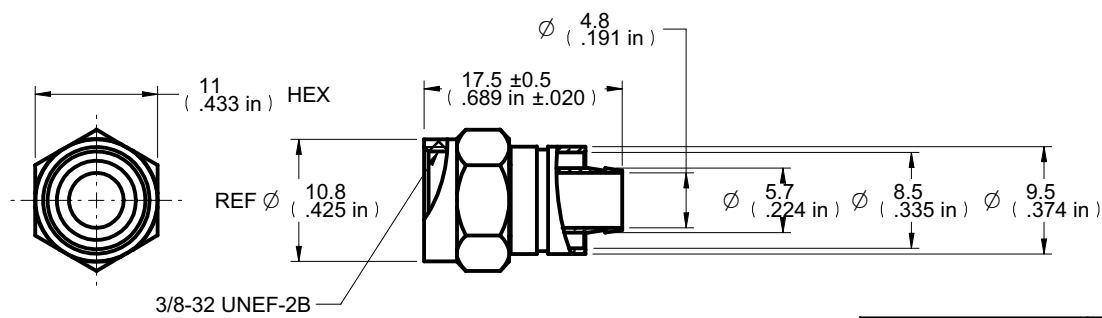
1

DRAWING NO.			
25-7160-CUST			
REVISIONS			
01	OFFICIAL RELEASE		2009.09.0
	08-21-09	Y U Y U T H	Betty 8/09.14:20 +08000



Description: F-56A W/Attached 1/4 Ring  
 Part No: 25-7160  
 Application: For RG6 Cable  
 Crimp Tool: 24-7710 or 24-8866P  
 Impedance: 75 Ohms  
 Frequency Range: 0-750 MHz  
 Material: Body Brass Nickel plated  
           Nut Zinc Nickel plated  
 RoHS Compliance: Yes  
 Technical Detail: Refer to Emerson Document P/N 25-0000

受控 CONTROLLED DOCUMENT					
编号 P/N	25-7060-CUST	版本 Rev	01	日期 Rel'd Date	SEP 14,09



**DIM OUTLINE**

**CUSTOMER COPY**

TOLERANCE UNLESS OTHERWISE SPECIFIED		DRAWN BY	DATE
DECIMALS	mm	BETTY.YU	08-21-09
X	± 0.5	CHECKED BY	DATE
X.X	± 0.3	BETTY.YU	08-21-09
X.XX	± 0.1	APPROVED BY	DATE
ANGLES	± 0.5°	THOMAS	08-21-09
		U/M mm	⊕ □



TITLE  
F-56A W/ ATTACHED 1/4 RING

THIS DRAWING WAS PRODUCED BY COMPUTER, DO NOT SCALE DRAWING OR UPDATE MANUALLY.		SHEET 1 OF 1	DRAWING NO. 25-7160-CUST	SIZE A
---------------------------------------------------------------------------------	--	-----------------	-----------------------------	-----------

5

4

3

2

1

# Mouser Electronics

Authorized Distributor

Click to View Pricing, Inventory, Delivery & Lifecycle Information:

[Cinch Connectivity Solutions:](#)

[25-7160](#)