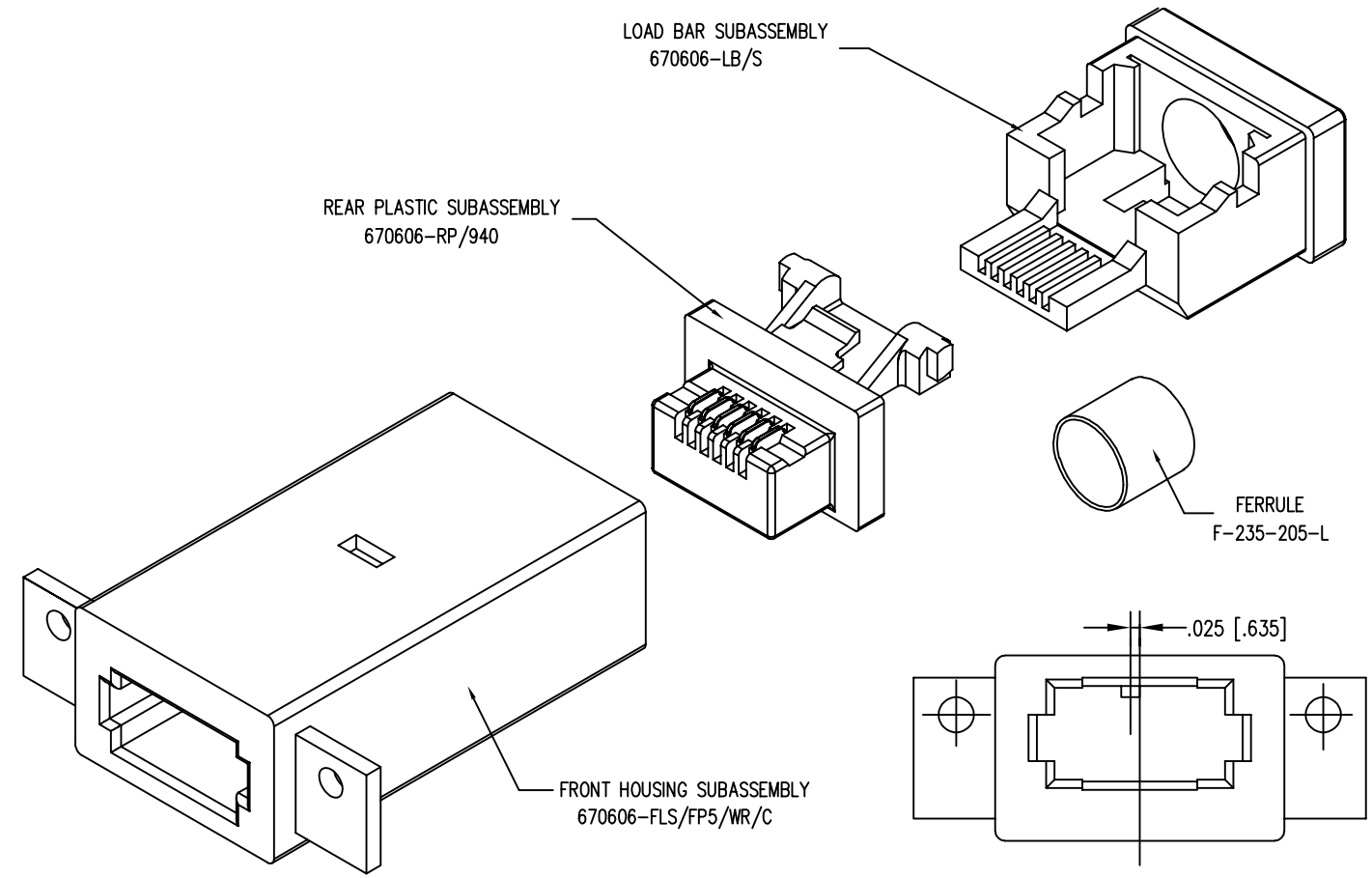
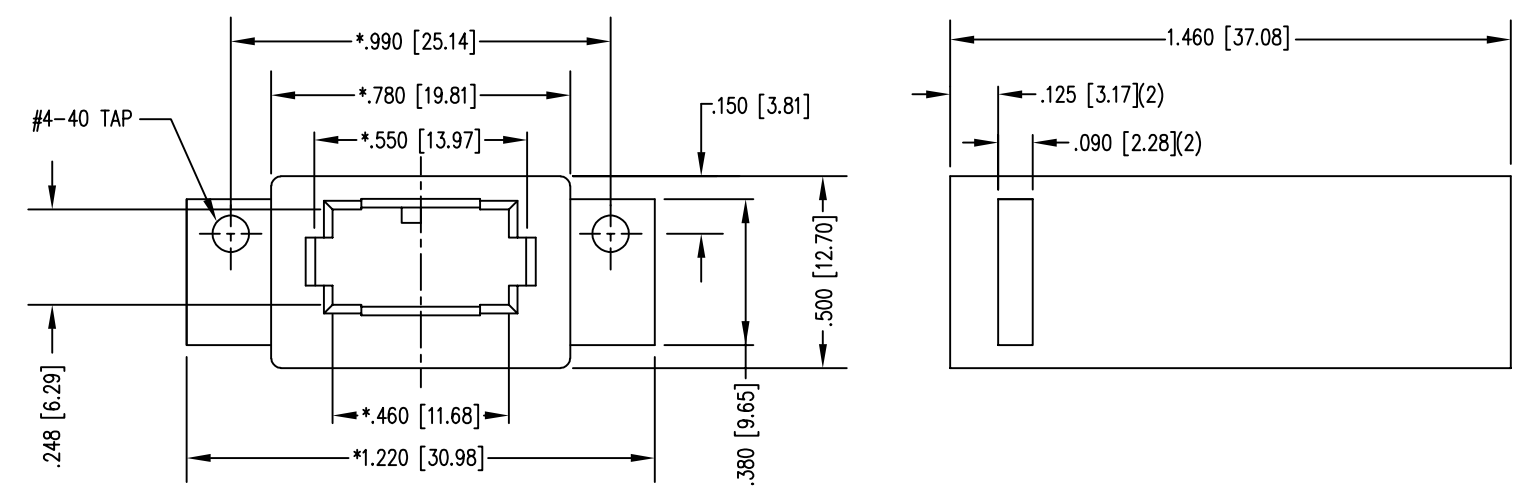


| DATE    | REV | ECN   | APP'D. BY |
|---------|-----|-------|-----------|
| 1/15/15 | A6  | 10203 | TRM       |
| 3-28-16 | A7  | 10638 | TRM       |
| 1-30-17 | A8  | 10877 | TRM       |
|         |     |       |           |



- NOTES:
- CONNECTOR MATERIALS:  
HOUSING: THERMOPLASTIC UL94 V-0  
CONTACTS/SHIELD: COPPER ALLOY  
SHIELD PLATING: NICKEL OR TIN  
CONTACT PLATING: SELECTIVE GOLD IN CONTACT AREA  
SEE CHART FOR PART NUMBER
  - FOR PRODUCT SPECIFICATIONS SEE PRO22-01.
  - TOLERANCES COMPLY WITH F.C.C. DIMENSION REQUIREMENTS.
  - THE SUGGESTED PANEL OPENING IS INTENDED TO GIVE USER THE ABILITY TO HAVE REASONABLE JACK/PANEL CLEARANCES, YET MAINTAIN GROUNDING CAPABILITY. THESE VARIABLES CAN BE ADJUSTED IN EITHER DIRECTION BUT MAY CARRY SOME CONSEQUENCES IN THE FORM OF LOWER MATING FORCES OR TIGHTER ASSEMBLY TOLERANCES.

|                                   |                 |
|-----------------------------------|-----------------|
| 30 MICRO-INCHES [0.76um]          | SS-670606-FLS-5 |
| CONTACT PLATING<br>IN MATING AREA | PART NUMBER     |

|  |  |   |
|--|--|---|
| THIRD ANGLE PROJECTION<br>   | <br>stewart<br>CONNECTOR<br>a bel group  | 1118 Susquehanna Trail South<br>Glen Rock, PA 17327-9199<br>(717) 235-7512<br><a href="http://www.stewartconnector.com">http://www.stewartconnector.com</a> |
| DO NOT SCALE DRAWING<br>DRAWING IS SUBJECT TO<br>CHANGE WITHOUT NOTICE       | TITLE: 6X6 BULKHEAD FINAL ASSY<br>FLANGED, KEYED   |   |
| DIMENSIONS: INCHES [METRIC]  | THIS DRAWING AND THE SUBJECT MATTER SHOWN THEREON ARE CONFIDENTIAL AND THE PROPRIETARY PROPERTY OF STEWART CONNECTOR AND SHALL NOT BE REPRODUCED, COPIED, OR USED IN ANY MANNER WITHOUT PRIOR WRITTEN CONSENT OF STEWART CONNECTOR. ONE OR MORE U.S. PATENTS MAY APPLY TO THIS PRODUCT. FOR DETAILS, PLEASE VISIT: <a href="http://BELFUSE.COM/STEWART/STEWART_PATENTS/">HTTP://BELFUSE.COM/STEWART/STEWART_PATENTS/</a> | DRN BY: KRL DATE 1/25/06  |
| UNLESS OTHERWISE SPECIFIED<br>TOLERANCES ARE ±.005 [0.13]<br>ANGLES ARE ± 1° |  | APPD BY: JM DATE 1-26-06  |
| SHEET NO. 1 OF 1   |  | DWG NO. CT670012 REV. A8  |



# Mouser Electronics

Authorized Distributor

Click to View Pricing, Inventory, Delivery & Lifecycle Information:

Bel:

[SS-670606-FLS-5](#)