

THE INFORMATION CONTAINED HEREIN IS CONSIDERED "PROPRIETARY" TO BEL FUSE INC. AND SHALL NOT BE COPIED, REPRODUCED OR DISCLOSED WITHOUT THE WRITTEN APPROVAL OF BEL FUSE INC.

RoHS



LED1 POLARITY			LED2 POLARITY			
PIN 13	PIN 14	COLOR	PIN 15	PIN 16	PIN 17	COLOR
-	+	YELLOW	-	+	/	ORANGE
/	/	/	/	+	-	GREEN
/	/	/	-	+	-	MIXED YELLOW

ELECTRICAL CHARACTERISTICS @ 25°C

URNS RATIO

TP1	1CT : 1CT ±2%
TP2	1CT : 1CT ±2%
TP3	1CT : 1CT ±2%
TP4	1CT : 1CT ±2%

OCL @ 100kHz/100mVRMS

8mA DC BIAS (0-70 Deg. C) 350µH MIN.

INS. LOSS

0.1MHz TO 1MHz	-1.1 dB MAX
1MHz TO 65MHz	-0.5 dB MAX
65MHz TO 100MHz	-0.8 dB MAX
100MHz TO 125MHz	-1.2 dB MAX

RET. LOSS (MIN) @ 100 OHMS +/-15%

0.5MHz-40MHz	-18 dB
40MHz-100MHz	-12+20LOG(f/80MHz) dB

CM TO CM REJ

100kHz - 100MHz -30 dB MIN

CM TO DM REJ

100kHz - 100MHz -35 dB MIN

HIPOT (Isolation Voltage):

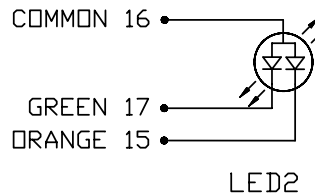
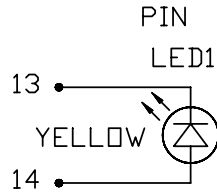
1500 Vrms  
100% OF PRODUCTION TESTED TO COMPLY WITH IEEE 802.3 ISOLATION REQUIREMENTS.

LED 1

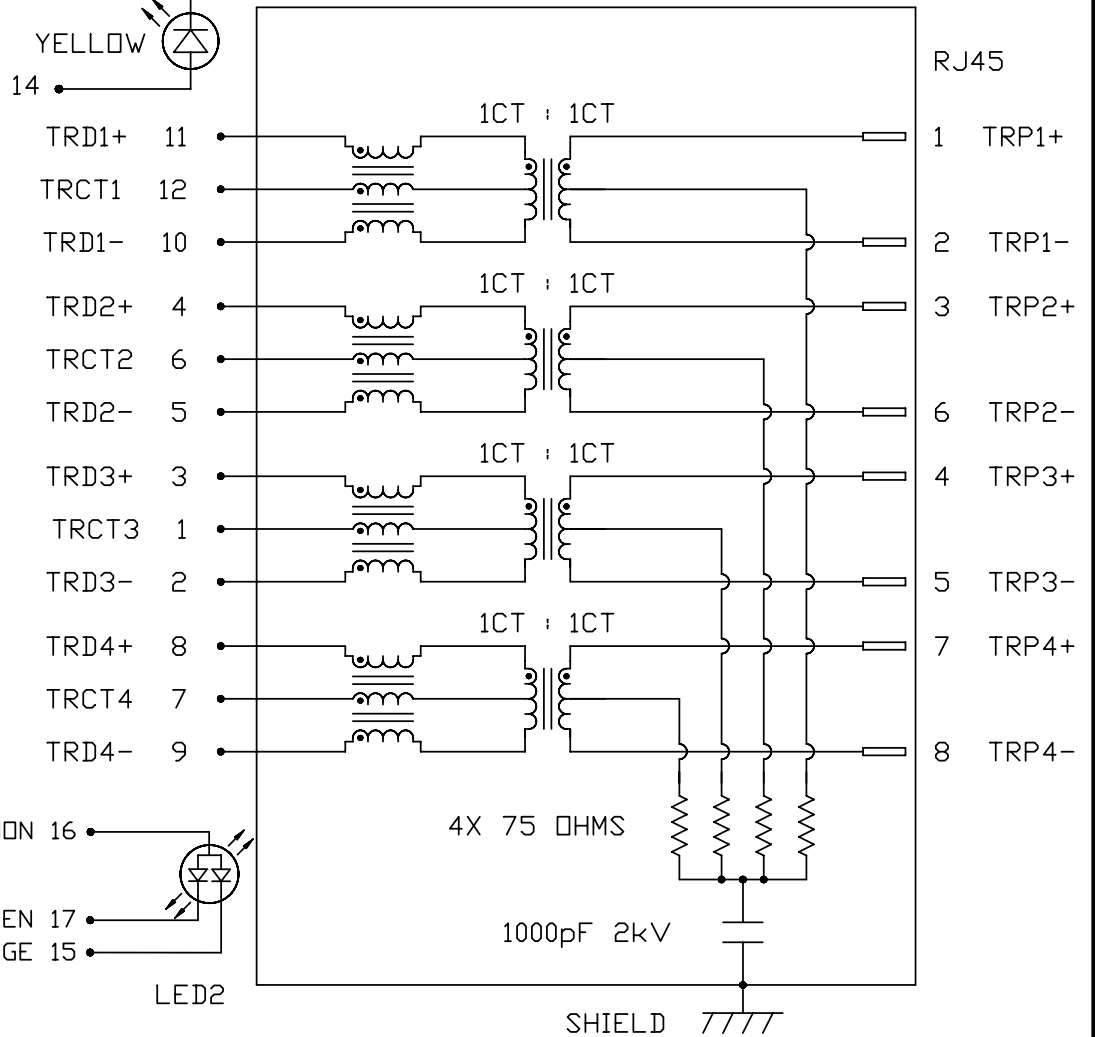
VF (FORWARD VOLTAGE) IF=20mA YELLOW 2.1V TYP.  
λD (DOMINANT WAVELENGTH) IF=20mA YELLOW 590nm TYP.

LED 2

VF (FORWARD VOLTAGE) IF=20mA YELLOW GREEN 2.2V TYP.  
AMBER 2.1V TYP.  
λD (DOMINANT WAVELENGTH) IF=20mA YELLOW GREEN 570nm TYP.  
AMBER 607nm TYP.  
MIXED YELLOW DOES NOT HAVE SPECIFIC WAVELENGTH.



SCHEMATIC



ORIGINATED BY	DATE	TITLE
CHOW WANGCHUNG	08-27-11	gigabit MagJack® (Ultra Low Profile) PATENTED
DRAWN BY	DATE	
TAN QIGUANG	08-27-11	

PART NO. / DRAWING NO.	STANDARD DIM.	[ ] METRIC DIM. AS REFERENCE
L829-1J1T-43	TOL. IN INCH	UNIT : INCH [mm] REV. : G
FILE NAME	.X	SCALE : N/A SIZE : A4
L829-1J1T-43_G.DWG	.XX	⊕
	.XXX	⊖
		PAGE : 2

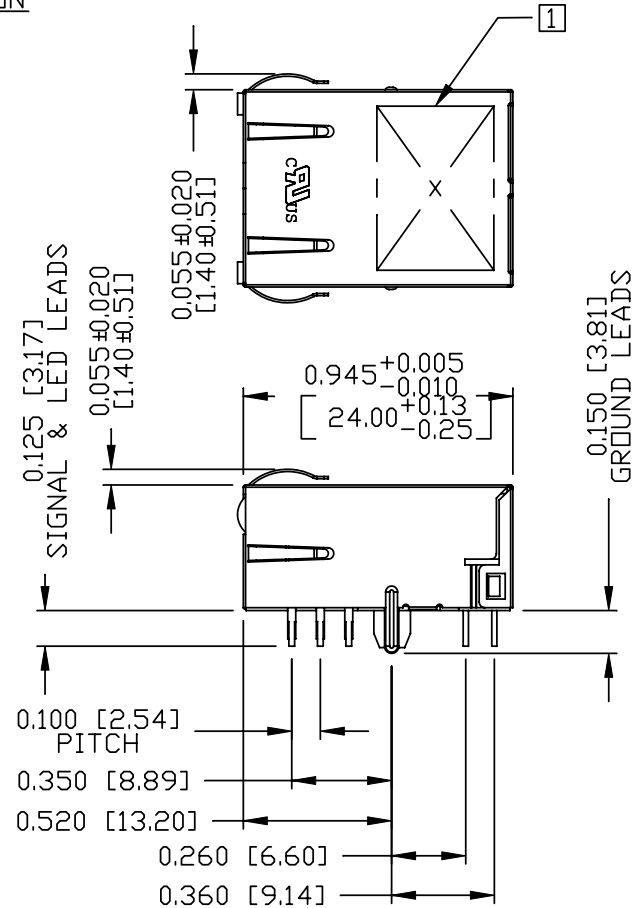
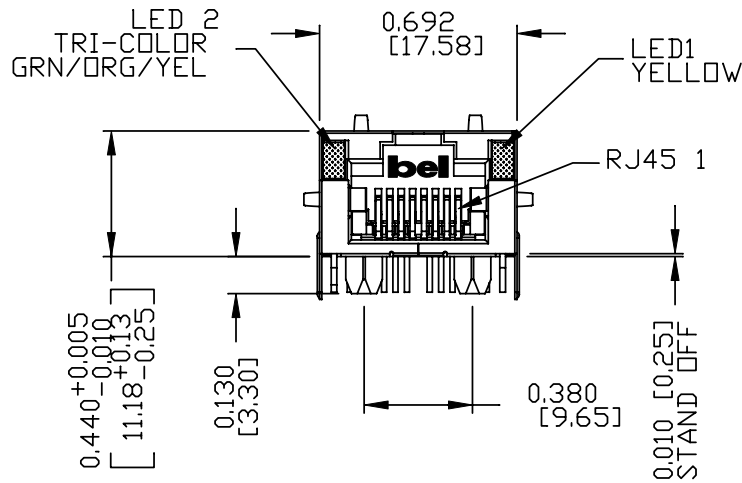
FILE NAME	STANDARD DIM.	[ ] METRIC DIM. AS REFERENCE
L829-1J1T-43_G.DWG	TOL. IN INCH	UNIT : INCH [mm] REV. : G
	.X	SCALE : N/A SIZE : A4
	.XX	⊕
	.XXX	⊖
		PAGE : 2



THE INFORMATION CONTAINED HEREIN IS CONSIDERED "PROPRIETARY" TO BEL FUSE INC. AND SHALL NOT BE COPIED, REPRODUCED OR DISCLOSED WITHOUT THE WRITTEN APPROVAL OF BEL FUSE INC.

MECHANICAL SPECIFICATION

RoHS



NOTES:

PLASTIC HOUSING: THERMOPLASTIC PA.

CONTACTS: FLAMMABILITY RATING UL 94V-0  
 30 MICRO-INCH HARD GOLD PLATING  
 OUTPUT PINS: TIN-COATED COPPER WIRE, DIA 0.018 INCH.  
 METAL SHIELD: NICKEL PLATED ON COPPER ALLOY.  
 (ALL GROUND LEADS ARE SOLDER DIPPED)

1. MARK PART WITH MFG. LOGO, MFG. NAME, PART NUMBER, DATE CODE AND PATENTED.

- The PRODUCT IS RoHS COMPLIANT.
- UL RECOGNIZED - FILE #E196366 AND E169987.
- JACK CAVITY CONFORMS TO FCC RULES AND REGULATIONS. PART 68 SUBPART F.
- THE PRODUCT IS PATENTED, THE PATENT NUMBER ARE U.S PAT. 5,736,910 AND U.S PAT. 7,123,117 AND U.S PAT. 6,840,817.

ORIGINATED BY	DATE	TITLE	PART NO. / DRAWING NO.	STANDARD DIM. TOL. IN INCH	[ ] METRIC DIM. AS REFERENCE
ANTON LIAD	08-27-11	gigabit MagJack® (Ultra Low Profile) PATENTED	L829-1J1T-43	.X	UNIT : INCH [mm] REV. : G
DRAWN BY	DATE		FILE NAME	.XX	SCALE : N/A SIZE : A4
JESSE LI	08-27-11		L829-1J1T-43_G.DWG	.XXX	±0.010



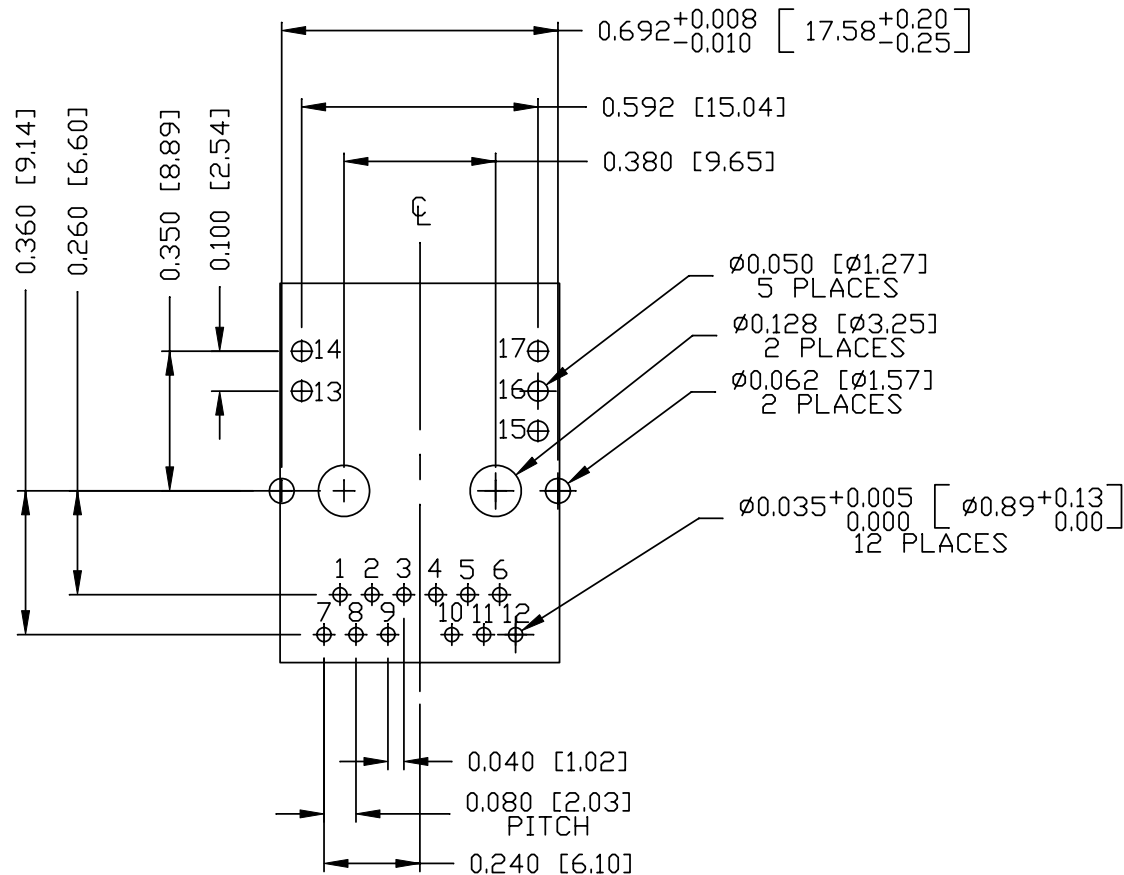
THE INFORMATION CONTAINED HEREIN IS CONSIDERED 'PROPRIETARY' TO BEL FUSE INC. AND SHALL NOT BE COPIED, REPRODUCED OR DISCLOSED WITHOUT THE WRITTEN APPROVAL OF BEL FUSE INC.

RoHS



RECOMMENDED PCB FOOTPRINT

COMPONENT SIDE VIEW



ORIGINATED BY ANTON LIAO	DATE 08-27-11	TITLE gigabit MagJack® (Ultra Low Profile) PATENTED	PART NO. / DRAWING NO. L829-1J1T-43	STANDARD DIM. TOL. IN INCH	[ ] METRIC DIM. AS REFERENCE		 COMPONENTS FOR A CONNECTED PLANET
DRAWN BY JESSE LI	DATE 08-27-11		FILE NAME L829-1J1T-43_G.DWG	.X	UNIT : INCH [mm]	REV. : G	
			.XX	SCALE : N/A	SIZE : A4		
			.XXX	±0.004	PAGE : 4		

DC002(2)081111

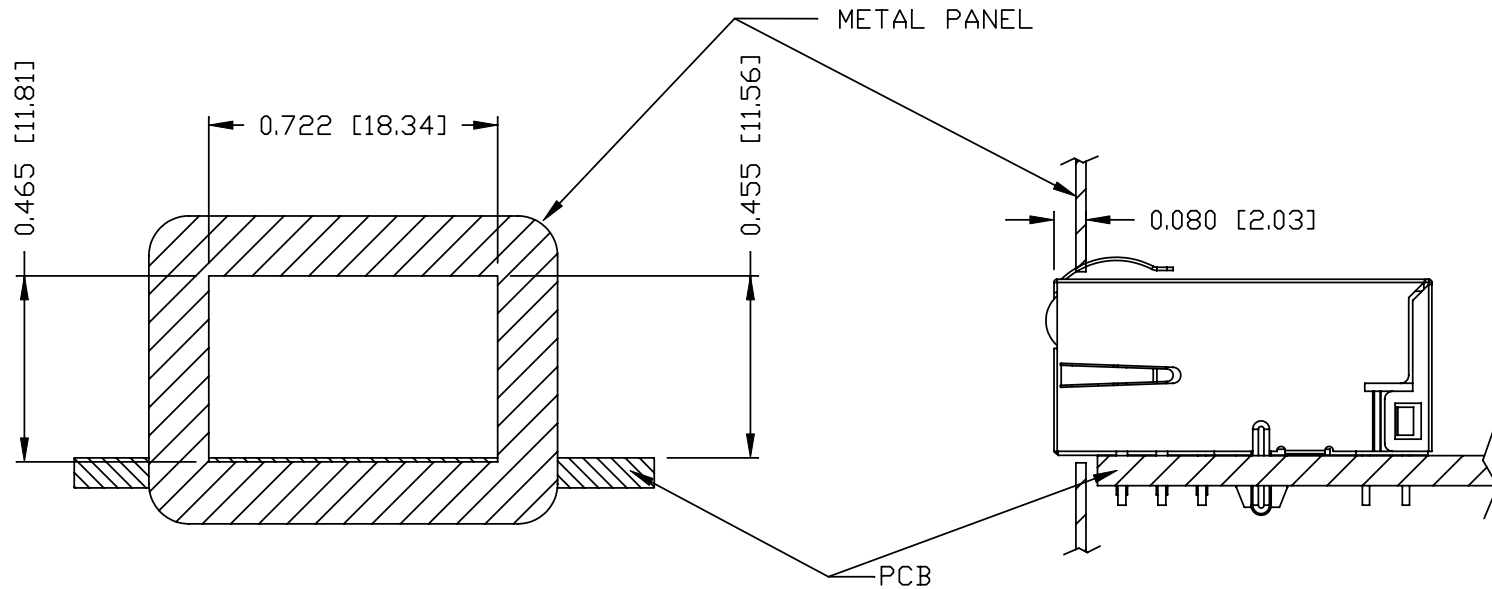
This document is electronically generated. This is a controlled copy if used internally

THE INFORMATION CONTAINED HEREIN IS CONSIDERED "PROPRIETARY" TO BEL FUSE INC. AND SHALL NOT BE COPIED, REPRODUCED OR DISCLOSED WITHOUT THE WRITTEN APPROVAL OF BEL FUSE INC.

RoHS



SUGGESTED PANEL OPENING



NOTE:

THE DISTANCE OF PANEL INSIDE SURFACE RELATIVE TO FRONT SURFACE OF PART IS ONLY A SUGGESTION. IN CASE THIS DISTANCE IS DIFFERENT, THE REQUIRED PANEL OPENING DIMENSIONS CHANGE ACCORDINGLY.

TRAY PACKING INFORMATION

PACKING TRAY : 0200-9999-E4 (TOP)  
0200-9999-E5 (BOTTOM)

PACKING QUANTITY : 60 PCS FINISHED GOODS PER TRAY  
11 TRAYS (660 PCS FINISHED GOODS) PER CARTON BOX

NOTE : CARDBOARDS ARE PLACED BETWEEN LAYERS OF PACKING TRAY INSIDE CARTON BOX  
(INCLUDE THE UPPERMOST AND LOWERMOST TRAY)

<b>ORIGINATED BY</b>	<b>DATE</b>	<b>TITLE</b> gigabit MagJack® (Ultra Low Profile) PATENTED	<b>PART NO. / DRAWING NO.</b>	<b>STANDARD DIM. TOL. IN INCH</b>		<b>[ ] METRIC DIM. AS REFERENCE</b>		 COMPONENTS FOR A CONNECTED PLANET
ANTON LIAO	08-27-11		L829-1J1T-43	.X		UNIT : INCH [mm]	REV. : G	
<b>DRAWN BY</b>	<b>DATE</b>	<b>FILE NAME</b>	.XX		SCALE : N/A	SIZE : A4		
JESSE LI	08-27-11	L829-1J1T-43_G.DWG	.XXX	±0.004		PAGE : 5		

# Mouser Electronics

Authorized Distributor

Click to View Pricing, Inventory, Delivery & Lifecycle Information:

Bel:

[L829-1J1T-43](#)