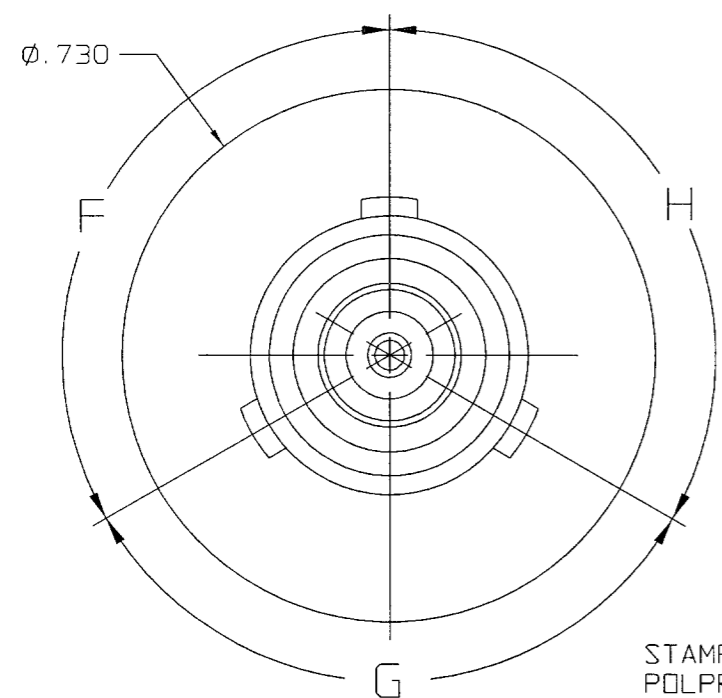


POLARIZATION CHART			
KEYING LETTER	F DEGREES	G DEGREES	H DEGREES
T	100°	150°	110°
U	120°	130°	110°
V	115°	130°	115°
W	125°	110°	125°
X	130°	100°	130°
Y	110°	140°	110°
Z	100°	160°	100°
S	135°	135°	90°
NONE	120°	120°	120°

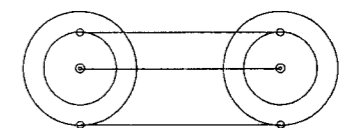
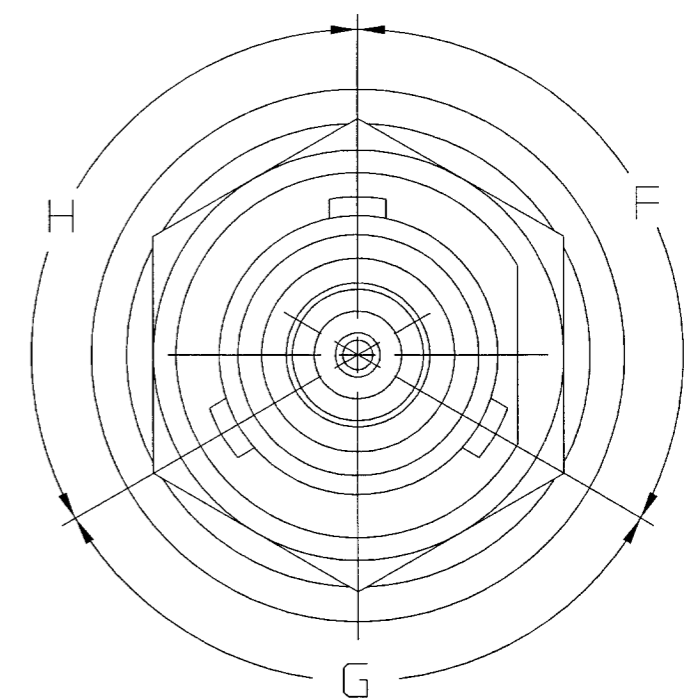
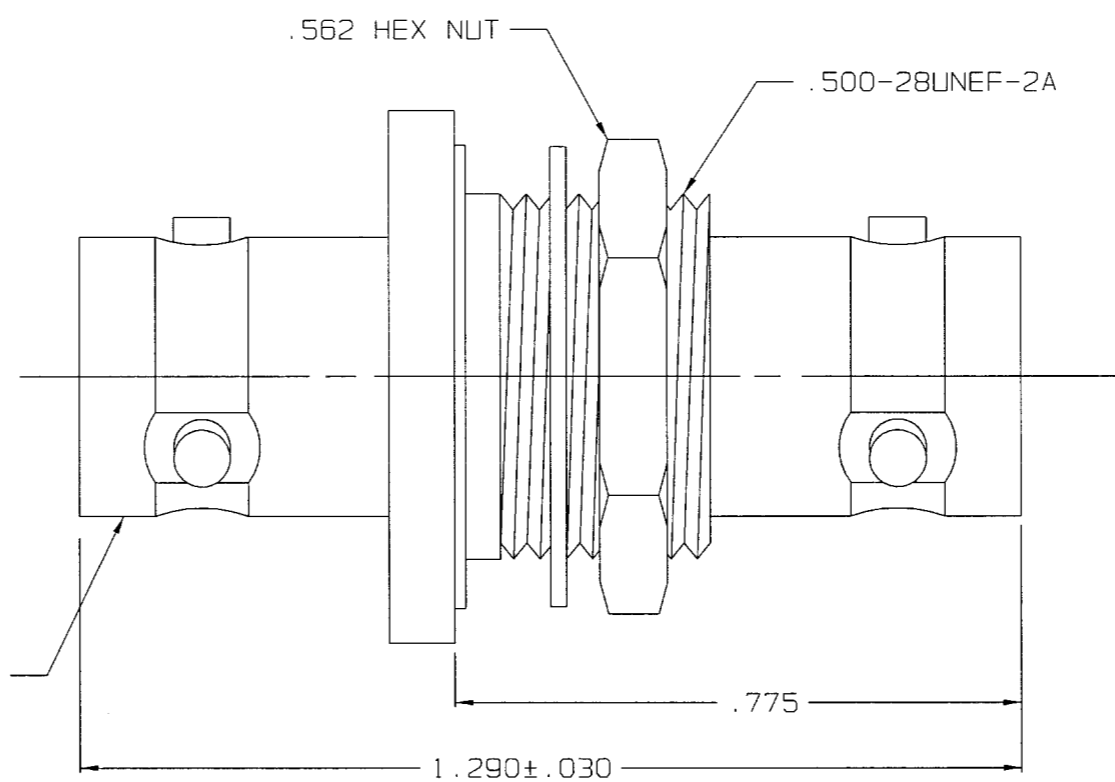
DATA CONTAINED IN THIS DOCUMENT IS PROPRIETARY TO TROMPETER ELECTRONICS INC. AND SHALL NOT BE DISCLOSED, COPIED OR USED FOR PROCUREMENT OR MANUFACTURE WITHOUT EXPRESS WRITTEN PERMISSION OF TROMPETER ELECTRONICS INC.

REVISIONS		3-0002	SH 1
REV	DESCRIPTION	DATE	APPROVED
P	REVISED PER ECO 15112	7/10/03	WJ

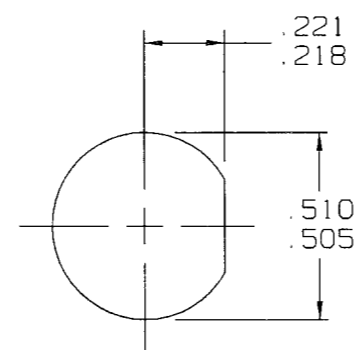
RED INDICATES ORIGINAL



STAMPED POLPRIZATION KEY BOTH ENDS



SCHMATIC



RECOMMENDED
PANEL CUTOUT
SCALE: 2/1

5. EXAMPLE OF COMPLETE MODEL NO:

	Y	
BASIC MODEL NO	KEY LTR (POLARIZATION)	
4. CONCENTRIC TWINAX/TRIAX TRB BULKHEAD MOUNT FEEDTHRU RECEPTACLE
3. MAX PANEL THK .187
2. FINISH: TFS-1A (NICKEL)
1. ALL DIM ARE IN INCHES

INTERPRET DRAWING PER MIL-STD-100 DIMENSIONS ARE IN INCHES AND INCLUDE FINISH THICKNESS UNLESS OTHERWISE SPECIFIED		TOL: UNLESS SPECIFIED .XX .XXX ±.005 ANGLES		
DRAWN AAH	DATE 7-7-03	MATERIAL:	TITLE: BJ78	
CHECKED ZJA	DATE 7-2-03	FINISH:	SIZE B	CAGE CODE 14949
QUALITY WJ	DATE 7/10/03		DRAWING NO. 3-0002	REV. P
APPROVED WJ	DATE 7/10/03	DO NOT SCALE DWG	SCALE 4/1	DATE: 1-31-61
NEXT ASSY	CAO FILE NO. 3-0002P			SHEET 1C

Mouser Electronics

Authorized Distributor

Click to View Pricing, Inventory, Delivery & Lifecycle Information:

[Cinch Connectivity Solutions:](#)

[BJ78](#)