

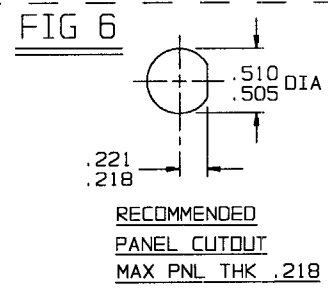
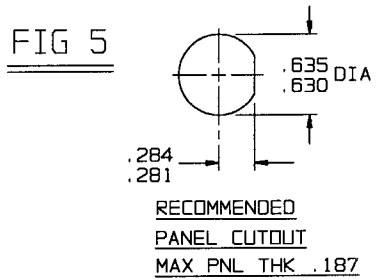
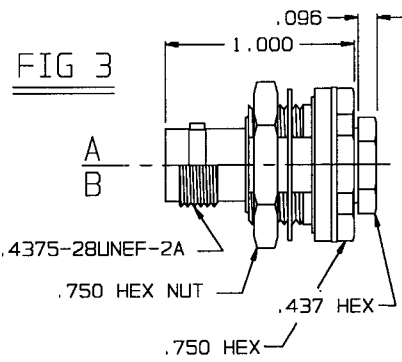
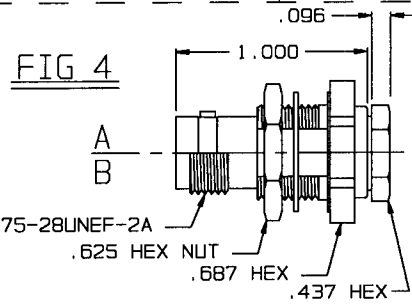
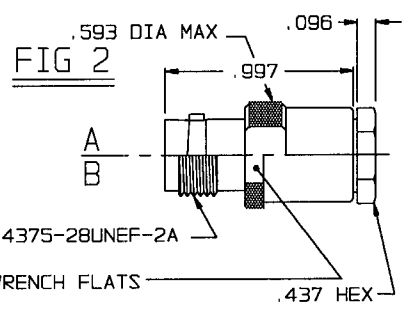
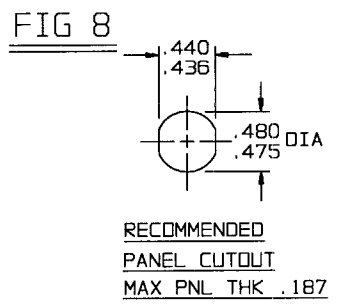
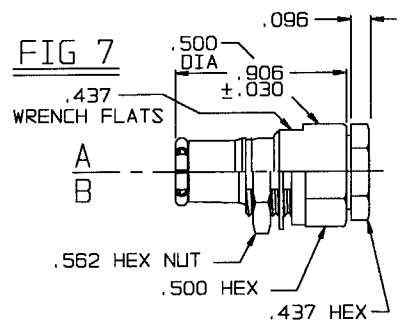
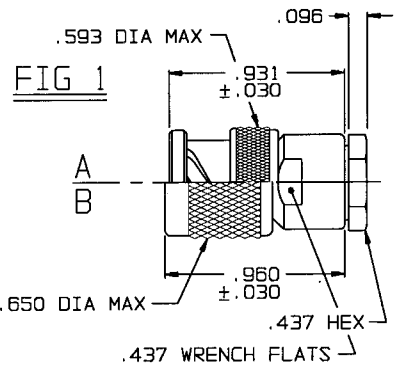
RED INDICATES ORIGINAL

DATA CONTAINED IN THIS DOCUMENT IS PROPRIETARY TO TROMPETER ELECTRONICS INC. AND SHALL NOT BE DISCLOSED, COPIED OR USED FOR PROCUREMENT OR MANUFACTURE WITHOUT EXPRESS WRITTEN PERMISSION.

REV		ED	DESCRIPTION	DWN	APPROVED	DATE
0			UPDATED AND REDRAWN	AAH	<i>WM</i>	9/24/98

105-0158 SH

DASH NO	CONN TYPE	MATERIAL	ASSEMBLE PER	FIG	MTE HOLE FIG
-1	PL20	1-0369-2B	TAI-101	1A	---
-2	CJ20	1-0134-2B		2A	---
-3	BJ29	1-0126-2B		4A	6
-4	PL123	1-0390-2B		7A	---
-5	UPL20	1-0369-U2B		1A	---
-6	UCJ20	1-0134-U2B		2A	---
-7	UBJ29	1-0126-U2B		4A	6
-8	UPL123	1-0390-U2B		7A	---
-9	BJ26	1-0341-2B		3A	5
-10	PL40	1-0014-2B		1B	---
-11	CJ40	1-0135-2B		2B	---
-12	BJ46	1-0448-2B		3B	5
-13	BJ49	1-0173-2B		4B	6
-14	UBJ26	1-0341-U2B		3A	5
-15	UPL40	1-0014-U2B		1B	---
-16	UCJ40	1-0135-U2B		2B	---
-17	UBJ46	1-0448-U2B		3B	5
-18	UBJ49	1-0173-U2B		4B	6
-19	PL122	1-0431-2B		7B	8
-20	UPL122	1-0431-U2B		7B	8



4. REPLACE CLAMP NUT 8-1580-2B WITH CLAMP NUT 8-1580-41
3. 50 & 75 OHM COAXIAL BNC/TNC CABLE PLUGS/RECEPTACLE/INSULATED & NON-INSULATED BULKHEAD MOUNT RECEPTACLE/PUSH-ON & NON-INSULATED BULKHEAD MOUNT PUSH-ON PLUGS FOR TIMES CABLE NO M1-2040

2. FINISH: TFS-1A (NICKEL)
1. ALL DIM ARE IN INCHES

QTY	DESCRIPTION		PART NUMBER	ITEM		
TOL UNLESS SPECIFIED		TROMPETER ELECTRONICS, INC.				
.xx ±	20 & 40 SERIES-				M1-2040	
.xxx ± .005	DRAWING NO.				REV	
.xxxx ±	14949				D	
ANGLES ±	DATE 11-6-78		SHEET			
DWN	R L	9/10/98	SCALE			
CHK	WM	9-11-98				
ENGR	<i>WM</i>					
APPR	<i>WM</i> 9/24/98					

NEXT ASSY

Mouser Electronics

Authorized Distributor

Click to View Pricing, Inventory, Delivery & Lifecycle Information:

[Cinch Connectivity Solutions:](#)

[105-0158-5](#)