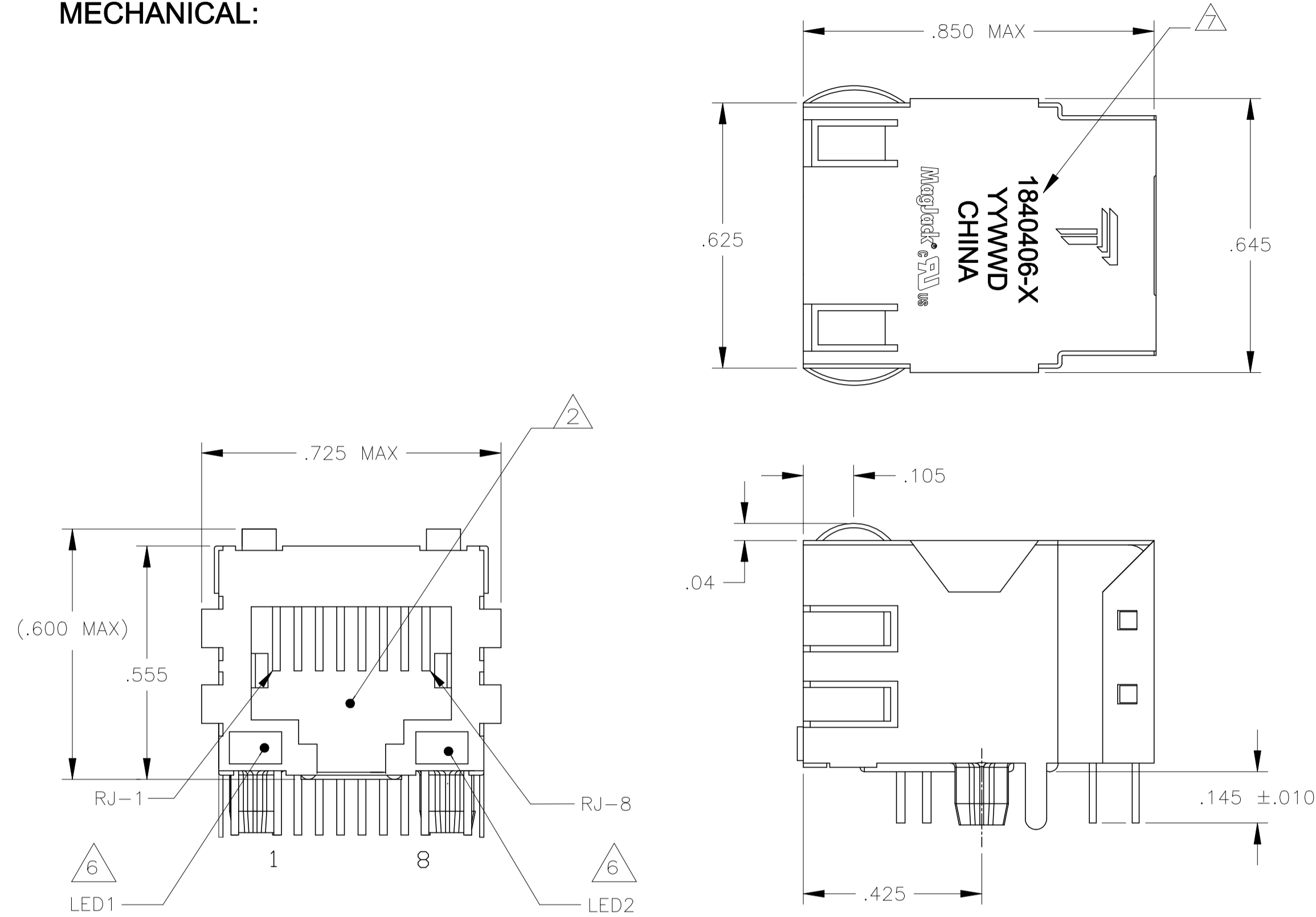


THIS DRAWING AND THE SUBJECT MATTER SHOWN THEREON ARE CONFIDENTIAL AND THE PROPERTY OF BEL/STEWART/TRP CONNECTOR AND SHALL NOT BE REPRODUCED, COPIED, OR USED IN ANY MANNER WITHOUT THE WRITTEN CONSENT OF TRP CONNECTOR.

PRODUCT MAY BE PROTECTED BY ONE OR MORE OF THE FOLLOWING US PATENTS:  
 5736910 5939955 6425781 6428361 6554638 6840817 7123117  
 7429195 7717749 7808751 6217391 6149050 7924130

REVISIONS				
P	LYR	DESCRIPTION	DATE	APVD
F		EC-1411035 COMPANY LOGO CHANGE	08JAN2015	TL KZ

**MECHANICAL:**



**Pin Designations**

- MATERIALS:**
- HOUSING - THERMOPLASTIC PET POLYESTER FLAMMABILITY RATING UL 94V-0.
  - SHIELD - .010" THICK, C26800 BRASS PREPLATED WITH 30μINCH SEMI-BRIGHT NICKEL;
  - SOLDER TABS POST-DIPPED WITH 100μINCH MIN SAC SOLDER
  - MOD JACK CONTACTS - .0157" x .018" THICK, PHOSPHOR BRONZE, 50μINCH MIN OVERALL NICKEL UNDERPLATE, WITH SELECT 50μINCH MIN HARD GOLD FINISH PLATE.
  - SOLDERTAILS WITH 100μINCH MATTE TIN AND/OR SAC SOLDER DIP.
  - LIGHT EMITTING DIODE(LED) - DIFFUSED EPOXY LENS, .020" x .020" CARBON STEEL WIREFRAME LEADS PREPLATED WITH 80 μINCH SILVER OVER 40 μINCH NICKEL UNDERPLATE OVER 40μINCH COPPER UNDERPLATE;
  - POST-PLATED WITH 100 μINCH MIN MATTE TIN AND/OR SAC SOLDER DIP OR PURE TIN SOLDER DIP.

RJ45 JACK CAVITY CONFORMS TO FCC RULES AND REGULATIONS PART 68, SUB PART F.

- MAGNETICS**
- APPLICATION: 10/100 BASE-T
  - IMPEDANCE: 100 OHMS
  - TURNS RATIO (CHIP:CABLE): TX = 1:1, RX = 1:1
  - OPEN CIRCUIT INDUCTANCE (OCL): 350μH MIN @100kHz, 0.1VRMS, 8mADC BIAS FROM 0°C TO 70°C, TX AND RX
  - PERFORMANCE @ 25°C:
    - INSERTION LOSS (IL): 1.1dB MAX FROM 0.5MHz TO 100MHz
    - RETURN LOSS (RL): 18dB MIN FROM 0.5MHz TO 30MHz
    - 18-20LOG(f/30)dB MIN FROM 30.1MHz TO 60MHz
    - 12dB MIN FROM 60.1MHz TO 80MHz
    - CROSSTALK ATTENUATION: 35dB MIN FROM 0.5MHz TO 40MHz
    - 33-20LOG(f/50)dB MIN FROM 40.1MHz TO 100MHz
    - COMMON MODE REJECTION RATIO (CMRR): 30dB MIN FROM 0.5MHz TO 100MHz
    - ISOLATION VOLTAGE: COMPLIES WITH IEEE802.3 2002, PARA 23.5.1.1, ITEM b.

OPERATING TEMPERATURE: FROM 0°C TO +70°C.

THE MAGNETICS ARE SYMMETRICAL, AND SUPPORTS AUTO-MDI/MDIX.

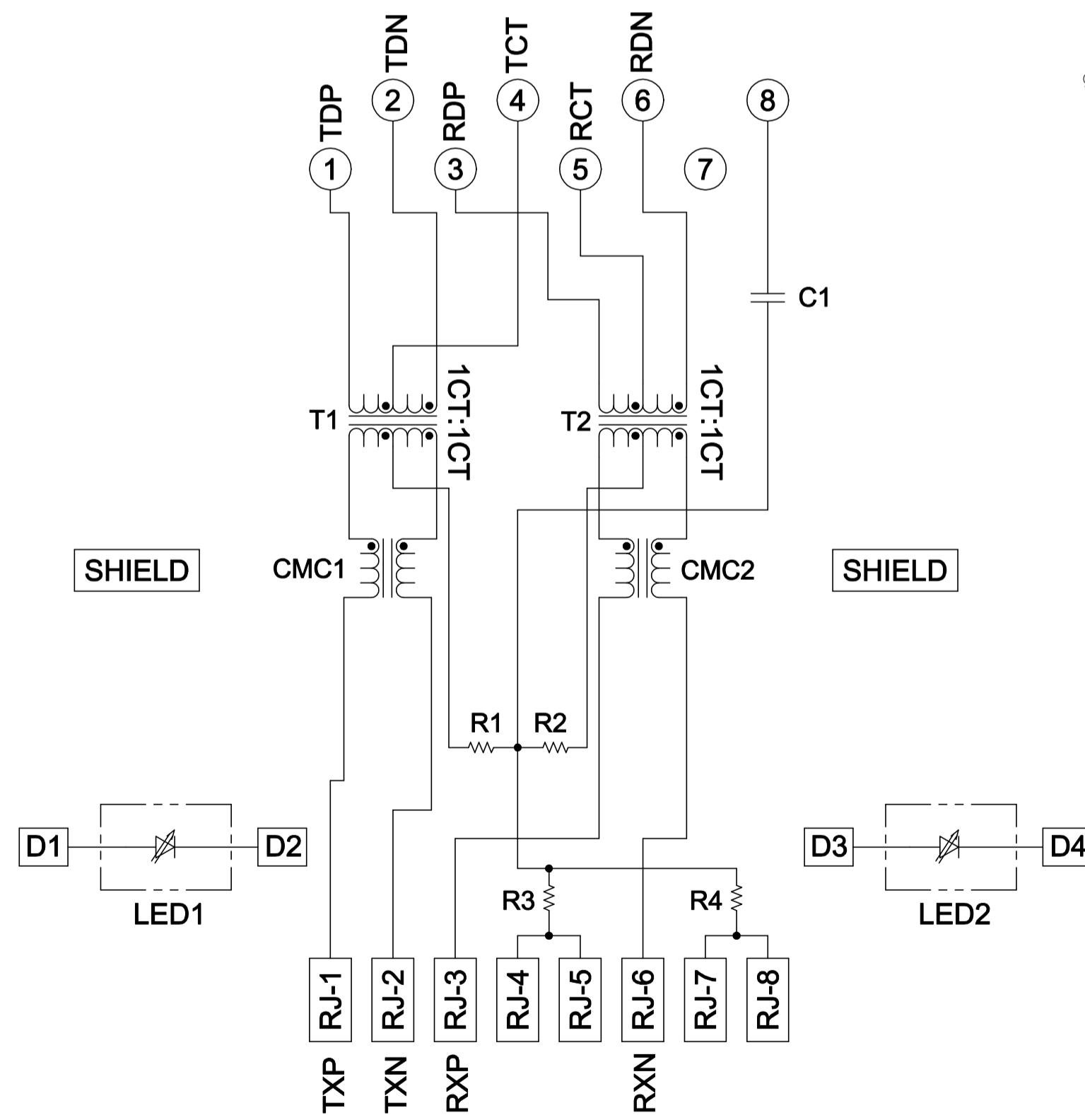
- LEDS WITHOUT BUILT-IN RESISTOR
- LEDS ARE DRIVEN WITH CONSTANT CURRENT AT APPROX 20 mA
  - LED COLOR: DOMINANT WAVELENGTH (AD): GREEN 568 nm TYP @ IF=20 mA
  - FORWARD VOLTAGE (VF): GREEN 2.2V TYP @ IF=20 mA
  - DOMINANT WAVELENGTH (AD): YELLOW 588 nm TYP @ IF=20 mA
  - FORWARD VOLTAGE (VF): YELLOW 2.1V TYP @ IF=20 mA

TRP CONNECTOR LOGO, PART NUMBER, DATE CODE, COUNTRY OF ORIGIN AND AGENCY APPROVAL MARKING IN APPROXIMATE LOCATION SHOWN.

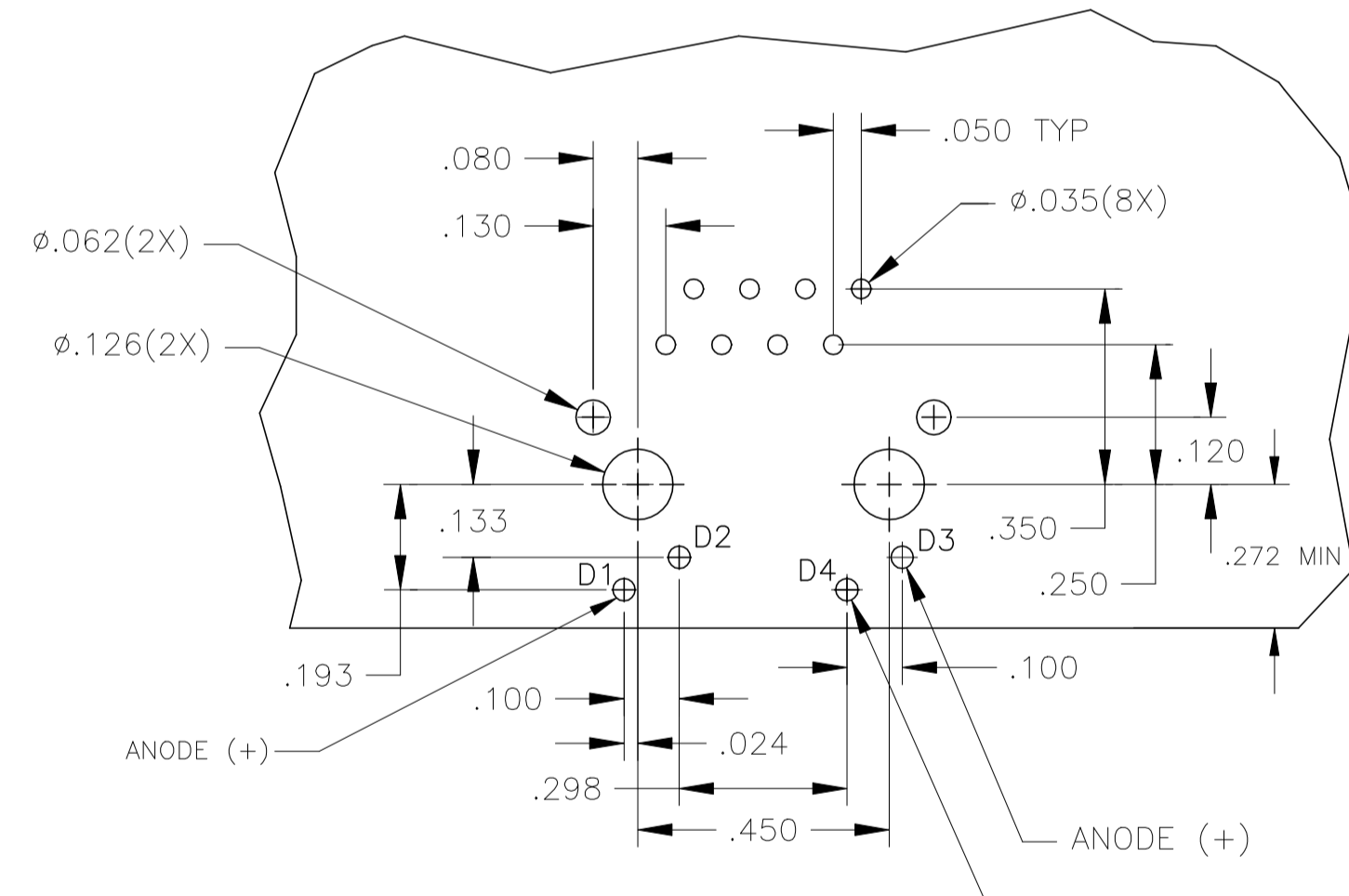
THE PART IS RECOMMENDED FOR WAVE SOLDERING PROCESS, PEAK SOLDERING TEMPERATURE IS 265 °C MAX, 10 SECONDS MAX.

**ELECTRICAL:**

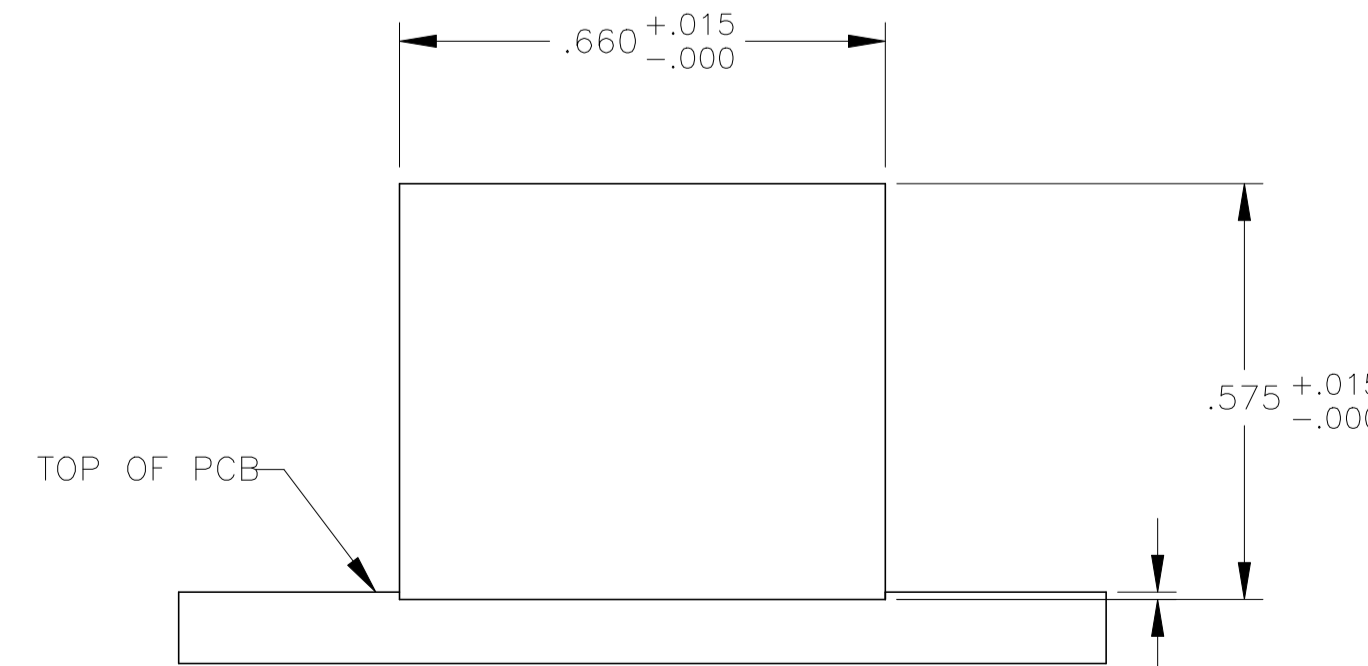
**326P13 MAGNETIC CIRCUIT**



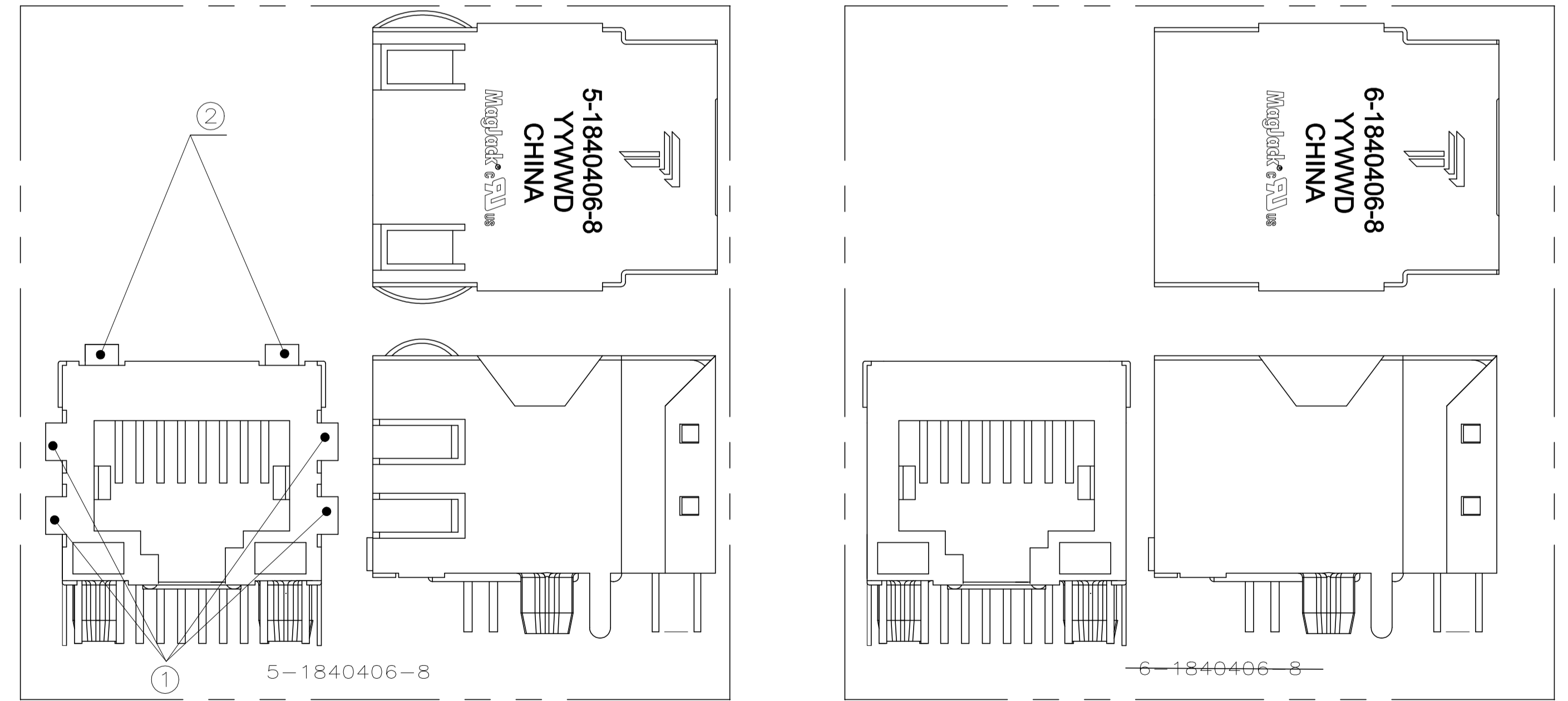
C1=1000pF, 2kV CAPACITOR  
 R1-R4=75 OHMS, 5%, 1/16W RESISTORS



**Suggested PCB Layout  
(Component Side)**



**Suggested Panel Cutout**



OBSELETE	NO	NO	GREEN	YELLOW	6-1840406-8
	YES	YES	GREEN	YELLOW	5-1840406-8
	TOP FINGER ②	LEFT AND RIGHT FINGER ①	LED1 ⑥	LED2 ⑥	PART NUMBER
THIS DRAWING IS A CONTROLLED DOCUMENT.					
DIMENSIONS: INCHES TOLERANCES UNLESS OTHERWISE SPECIFIED: 0 PLG ± .010 1 PLG ± .010 2 PLG ± .010 3 PLG ± .005 4 PLG ± .005 ANGLES ± .010					
PRODUCT SPEC: 108-2100 APPLICATION SPEC: -					
DWN: CLOUD ZENG 4MAY2006 CK: MICHAEL ZHANG 4MAY2006 APVD: TEDDY XIONG 4MAY2006 MODEL NAME: MAGJACK DESC: 1X1 326P13 10/100 TAB DOWN W/ LED SIZE: A1 CAGE CODE: C=1840406 DRAWING NO: 1840406 RESTRICTED TO: - CUSTOMER DRAWING: - SCALE: NTS SHEET: 1 OF 1 REV: F					

# Mouser Electronics

Authorized Distributor

Click to View Pricing, Inventory, Delivery & Lifecycle Information:

Bel:

[5-1840406-8](#)