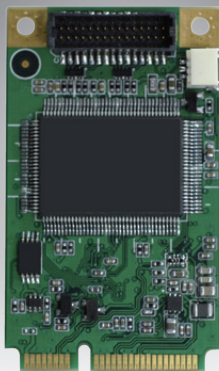


# DVP-7014HE

1-ch Full HD H.264 MiniPCle  
Video Capture Card with SDK

NEW



## Features

- 1 channel HDMI/DVI-D/DVI-A/YPbPr channel video inputs with H.264 software compression
- 30/25 fps (NTSC/PAL) at up to full HD resolution for recording and display
- Mini PCIe x1 (Gen2) host interface
- Windows/Linux OS supported



## Introduction

DVP-7014HE is a Mini PCIe-bus, software compression video capture card with 1 video and 1 audio inputs. DVP-7014HE supports H.264 compression format at up to full HD resolution at real-time frame rate (30/25fps). With an easy-to-use software development kit (SDK), DVP-7014HE is an ideal solution for various video capture applications.

## Specifications

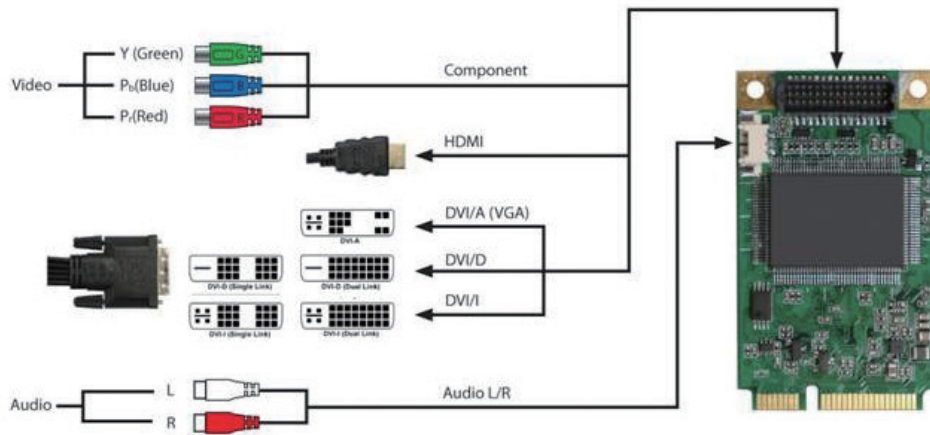
Video	Video Standard	NTSC/PAL
	Video Input	1 x HDMI/DVI-D/DVI-A/YPbPr
	Compression	S/W H.264
	Max. Display Rate	30/25 fps (NTSC/PAL) @ 1920 x 1080p
	Max. Recording Rate	30/25 fps (NTSC/PAL) @ 1920 x 1080p
Audio	Audio Input	HDMI Embedded Audio/ Audio L/R
	Format	Stereo / 16-bit / 32000 ~ 48000Hz
System Requirements	CPU (Display)	Intel Core 2 Duo E2200 2.2 GHz
	CPU (Recording)	Intel Core 2 Quad Q9400 2.6 GHz
	Memory	2 GB
	VGA	1024 x 768, DirectX 9.0c
	Operating System	Windows XP/XPe/Vista/7; Linux 2.6.14 or higher; 32/64 bits
Physical Characteristics	Host Interface	Mini PCIe x1 (Gen 2)
	Operating Temperature	-20 ~ 70° C (-4 ~ 158° F)
	Storing Temperature	-40 ~ 85° C (-40 ~ 185° F)
	Dimensions	30 x 51 mm
	Certification	CE/FCC

## Versatile SDK Support

Advantech provides software development kit (SDK), a set of development tools that allows a software engineer to integrate video capture modules into different types of system. Functions include video recording, playback and instant preview.

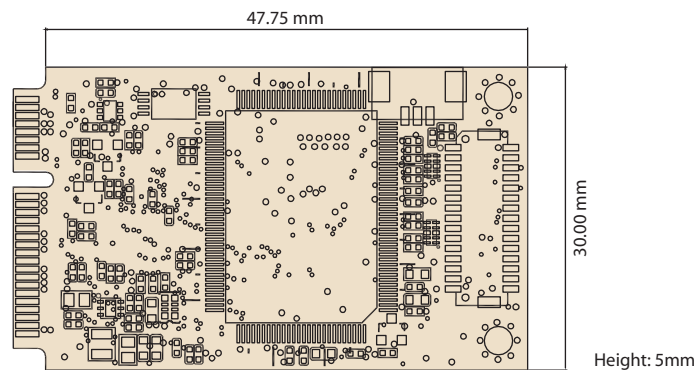
- Software Library
- SDK Manual
- Sample Program

## Connection Diagram



## Physical Dimension

Unit: mm



## Ordering Information

Part Number	Description
DVP-7014HE	1-ch Full HD H.264 MiniPCIe Video Capture Card with SDK

## Packing List

Item	Amount
DVP-7014HE Capture Card	1 (piece)

# Mouser Electronics

Authorized Distributor

Click to View Pricing, Inventory, Delivery & Lifecycle Information:

[Advantech:](#)

[DVP-7014HE](#)