

## Airborne Enterprise Wireless Device Server Serial to 802.11b/g Wireless LAN

ABDG-SE-DPxxx Enterprise Series



Airborne supports the most flexible certificate delivery and management available in the wireless device market, along with WEP, WPA, WPA2, 802.11i and Pre-shared Key (PSK), no other wireless solution provides a more comprehensive security solution.

### Reliability

Designed by Quatech specifically to meet the demands of the industrial, automotive and medical markets, the Airborne Device Server has the widest operating temperature range and highest level of reliability available, all backed by a five year limited warranty. Quatech also provides FCC Modular certification, minimizing requirements for further regulatory testing by original equipment manufacturers.

### Applications

Previous generations of Airborne Wireless Device Server have been integrated and deployed into a wide range of applications across various industries including:

- Medical equipment
- Vehicle telematics & diagnostics
- Material handling & logistics
- Industrial Automation
- Test & measurement
- Security & access control

Quatech's Airborne Enterprise Wireless Device Server extends the reputation of the family further by drawing on experience of Quatech application engineers across hundreds of wireless M2M deployments.

### KEY FEATURES

- Extended operating temperature range (-20°C to +85°C) and environmental specifications
- Plug-n-Play Serial to 802.11 Connectivity
- Enterprise Class wireless security (WPA-2 Enterprise, WPA2-PSK, WPA-PSK, WEP, EAP) with Certificates
- Compact Package Outline
- Integrated External Antenna
- Software-configurable 802.11b interface
- Advanced utilities for discovery, configuration, and management of Airborne Serial device
- Worldwide Certification Support- FCC Part 15 Class B Sub C Modular Approval, IIOC, CE, ETSI, ROHS, WEEE
- Five year warranty

The advanced technologies implemented in the Quatech Enterprise 802.11 Device Server provide an industry-leading solution with breakthrough performance and security for M2M applications and drop in replacements for existing 802.11b and 802.11b/g networking modules.

Airborne™ is a line of highly integrated 802.11 radios and device servers, designed to address the demands of complex machine-to-machine (M2M) applications. Utilizing the latest 802.11 microprocessor and network technologies, the Airborne family of products provide a broad encompassing solution for wireless applications requiring performance, reliability and advanced security.

The Airborne Device Server bridge family allows a serial device to connect to a high performance wireless 802.11 network. The integrated Network Address Translation (NAT) functionality provides plug and play connectivity and simple integration to any system with a serial port. The serial interface supports auto rate detection up to 100Mb/s. The Serial Device Servers includes a full featured 802.11b/g radio and a high performance ARM9 MCU running embedded Linux

### Enterprise Class Security

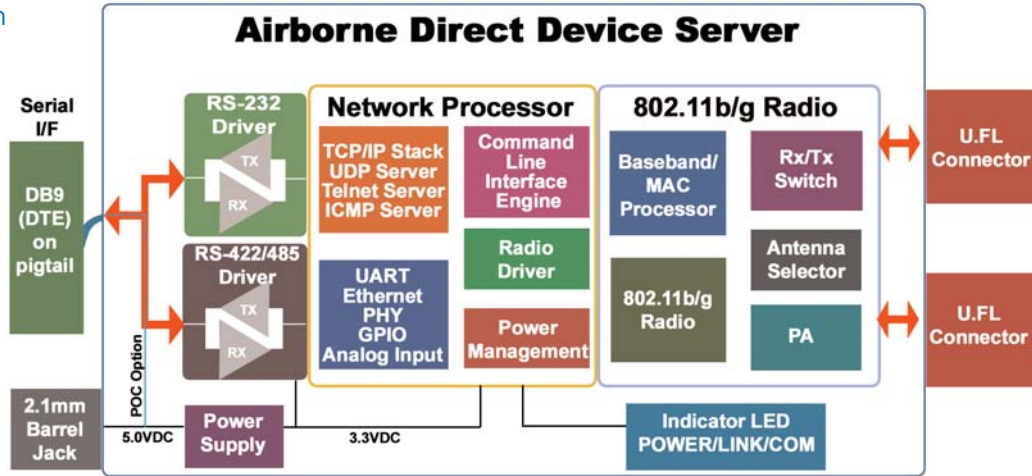
WPA2-Enterprise is the leading wireless security standard for enterprise networks and is fully supported by the Airborne Enterprise products. The integrated supplicant supports a wide range of EAP processes including:

- EAP-TLS/MSCHAPv2
- EAP-TLS/MD5
- EAP-TTLS/MSCHAPv2
- PEAPv0/MSCHAPv2
- LEAP

### Model Selection Guide

Model No.	Interface			WiFi	Security				
	RS-232	RS-422/485	POC (power over cable)	802.11b	WEP (64 & 128 bit)	WPA	WPA2	LEAP	EAP
ABDG-SE-DP101		■		■	■	■		■	
ABDG-SE-DP104	■			■	■	■		■	
ABDG-SE-DP107	■		■	■	■	■		■	
ABDG-SE-DP501		■		■	■	■	■	■	■
ABDG-SE-DP504	■			■	■	■	■	■	■
ABDG-SE-DP507	■		■	■	■	■	■	■	■

## Block Diagram



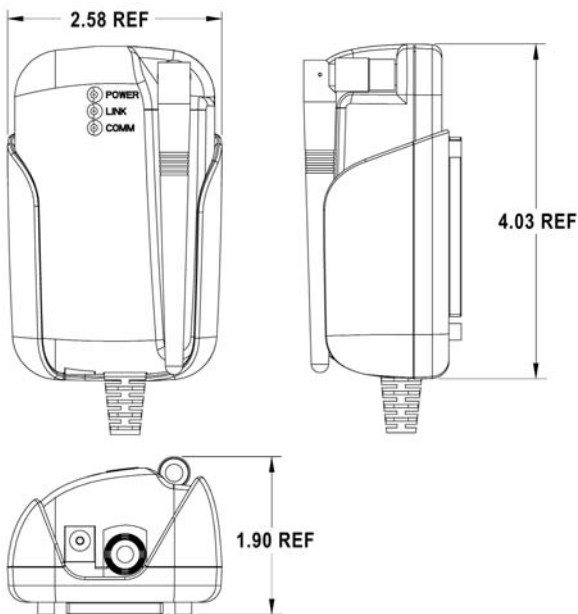
## Package Contents

Model No.	Package Includes:
ABDG-SE-DP101 ABDG-SE-DP104 ABDG-SE-DP107 <i>(DP107 does not include power supply)</i>	Airborne Enterprise Wireless Device Server Omni-directional Wand Antenna Power Supply Mounting Bracket
ABDG-SE-DP501 ABDG-SE-DP504 ABDG-SE-DP507 <i>(DP507 does not include power supply)</i>	Airborne Enterprise Wireless Device Server Omni-directional Wand Antenna Power Supply Mounting Bracket

## Specifications

Technology	IEEE 802.11b/g, WiFi compliant
Wired Interface	RS-232, RS-422 or RS-485 (2 wire)
Frequency	2.4 - 2.4835 GHz (US/Canada/Europe) 2.4 - 2.497 GHz (Japan)
Modulation Technology	DSSS, CCK, OFDM
Modulation Type	DBPSK, DQPSK, CCK, BPSK, QPSK, 16QAM, 64QAM
Network Access Modes	Infrastructure, Ad Hoc
Channels	USA/Canada: 11 channels Europe: 13 channels France: 4 channels Japan: 14 channels (13 channels for 802.11g)
Wireless Data Rate	802.11b = 11, 5.5, 2, 1 Mbps 802.11g = 54, 48, 36, 24, 18, 12, 9, 6 Mbps
MAC	CSMA/CA with ACK, RTS, CTS
Network Protocols	TCP/IP, ARP, ICMP, DHCP, DNS, UDAP, TFTP, UDP, PING
Receive Sensitivity	54Mb/s = -69dBm 6 Mb/s = -86dBm 1Mb/s = -86dBm
Security Protocols	Disabled, WEP 64 & 128bit, WPA (TKIP), WPA (AES), WPA2 (AES), 802.1x (EAP) Supplicant Supports WPA & WPA2 Enterprise supplicants EAP-TLS/MSCHAPV2, EAP-TTLS/MSCHAPv2, EAP-TTLS(MD5), EAP-PEAPv0/MSCHAPv2, LEAP Zero host security footprint Supports Certificate, delivery and management
Antenna	Integrated RP-SMA Omni-directional 3dBi Antenna
Supply	5.0VDC +/-5%, 500mA
Supply In-rush Current	3000mA (MAX) for 20ms
Power Consumption	2.5W @5VDC
Power Connector	2.1mm Barrel Jack
DC Characteristics	Operating Current (Tx, 802.11g) = 500mA Typ. Operating Current (Rx, 802.11g) = 530mA Typ. Power Save (Snore) = 10mA Typ. Power Down (Sleep) = 1mA Typ.
Environmental	Operating Temperature: -20°C - +85°C, Storage: -55°C - +150°C Relative humidity: 5% - 95% (non-condensing) Vibration: 20G peak-to-peak, 20Hz-2KHz swept Shock: 1500G peak-to-peak, 0.5mS duration
Enclosure	Nylon (Gray)
LED Indicators	3 Indicator LED (POST, LINK, COMM)
Agency Approvals	Worldwide Certificate Support- FCC Part 15 Class B Sub C Modular Approval, IOC, CE, ETSI EN300 328, ETSI 60950-1, ROHS and WEEE Compliant

## Mechanical Outline



# Mouser Electronics

Authorized Distributor

Click to View Pricing, Inventory, Delivery & Lifecycle Information:

## [B+B SmartWorx:](#)

[ABDB-SE-DP101-G](#) [ABDB-SE-DP107-G](#) [ABDG-SE-DP103](#) [ABDG-SE-DP107](#) [ABDG-SE-DP106](#) [ABDG-SE-DP104](#)  
[ABDG-SE-DP101](#) [ABDG-SE-DP501](#) [ABDG-SE-DP507](#) [ABDG-SE-DP503](#) [ABDG-SE-DP506](#) [ABEG-SE-DP102](#)