

422TTL & 422TTL33

Four Channel RS-422 / EIA-530 to TTL Converter

- ✓ Converts two RS-422 channels in each direction
- ✓ Open pads to change pin configuration
- ✓ 5V and 3.3V TTL



The 422TTL and 422TTL33 convert RS-422 or EIA-530 signals to TTL at data rates up to 115.2 Kbps. Two channels are used to convert RS-422 to TTL and two channels are used to convert TTL to RS-422. Select the 422TTL for 5 VDC TTL or the 422TTL33 for 3.3 VDC TTL. A DB25 Male connector is used on the TTL side and a DB25 Female connector is used on the RS-422 / EIA-530 side. The converters support RD, TD, RTS, and CTS.

Pin 7 is signal ground for both connectors. These units can work at baud rates up to 115.2 Kbps. Open pads are provided for each line. Therefore, if you choose to, you can change the pin connectors for any of the 4 channels.

When converting a second RS-422 channel, use the corresponding RTS A and RTS B pins (refer to the diagram on the next page).

These converters invert the TTL signal. Refer to the specifications table to determine polarity.

An external +12 VDC power supply is required (not included).

Specifications

Serial Technology

RS-422 (EIA-530 Pin-out)	TDA(-), TDB(+), RDA (-), RDB (+) RTS A(-), RTS B (+), CTS A (-), CTS B (+)
TTL	TD, RD, RTS, CTS
TTL Level	5VDC or 3.3VDC
Data Rate	Up to 115.2 Kbps
RS-422 Connector	DB25 Female
TTL Connector	DB25 Male

Polarity (Volts)

TTL Input	RS-422 / EIA-530 Output V (A) – V (B)
High	Negative
Low	Positive

RS-422 / EIA-530 Input

TTL Output	V (A) – V (B)
High	Negative
Low	Positive

Power

Source	External (2.5 mm Positive Tip)
Input Voltage	12 VDC (<100 mA)

Mechanical

Dimensions	2.1 x 2.2 x 0.7 in (5.4 x 5.6 x 1.7 cm)
------------	---

Regulatory

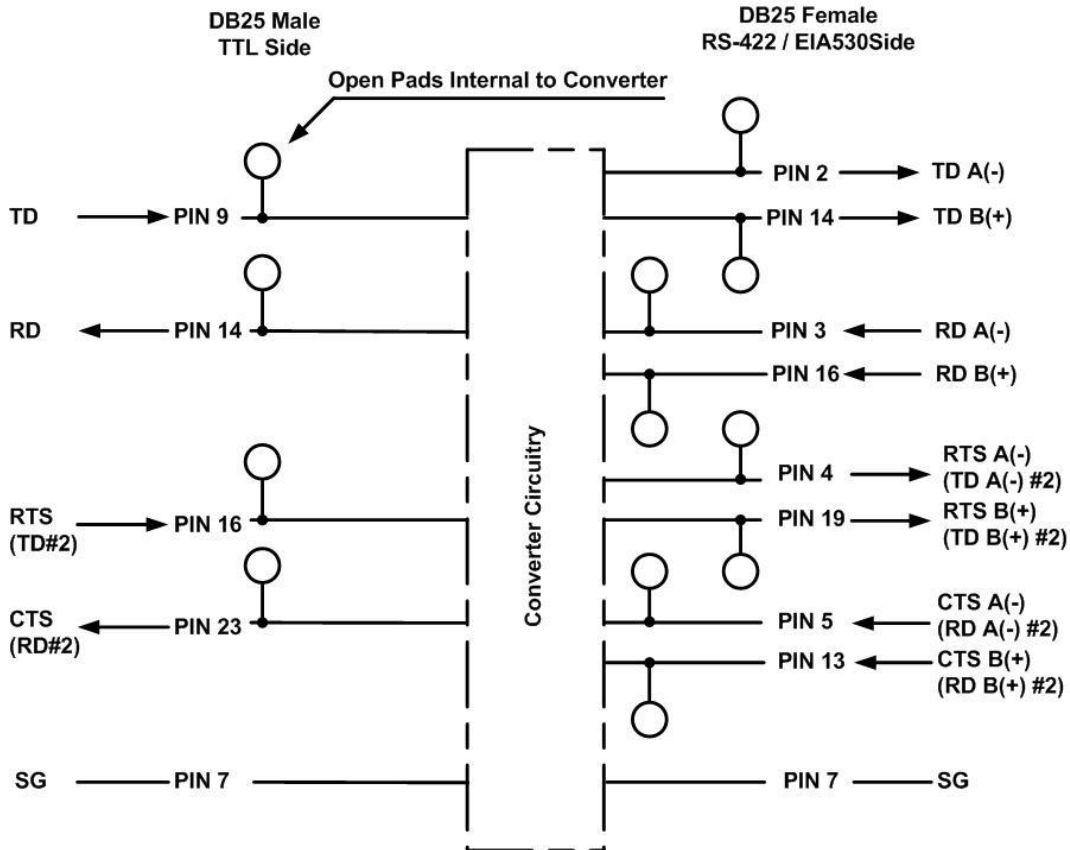
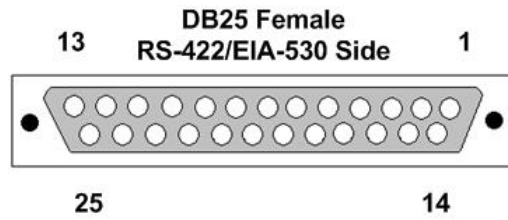
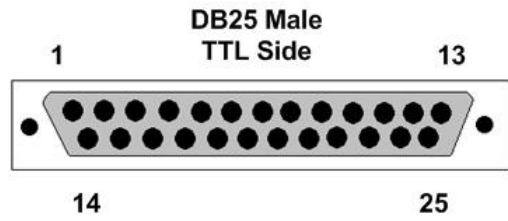
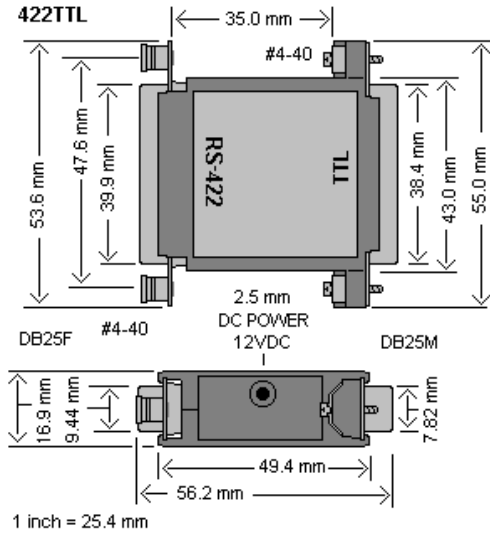
Approvals	FCC, CE (Declaration available for Download)
-----------	--

Ordering Information

422TTL	RS-422 to 5V TTL Converter
422TTL33	RS-422 to 3.3V TTL Converter

Accessories (Not Included)

422PS	Power Supply, 12VDC, 100mA 2.5mm Positive Tip Jack
-------	---



Mouser Electronics

Authorized Distributor

Click to View Pricing, Inventory, Delivery & Lifecycle Information:

[B&B Electronics:](#)

[422TTL](#) [422TTL33](#)