



UPOS-300 Series

Multi-Functional POS System for Hospitality Service

ADVANTECH **iRetail**

www.advantech.com



Application Model: UPOS-315

POS System Aimed at the Hospitality Industry

Customer satisfaction is the primary factor that generates consumer loyalty and enhances brand recognition. In the hospitality industry, satisfaction is primarily influenced by service quality, value, and experience. Thus, a high performance point-of-sale (POS) system with diverse peripherals and I/O interfaces is required to deliver the reliable and rapid service that ensures customer satisfaction.

Key Elements of Hospitality POS Systems

Across all sectors of the hospitality industry, service quality, value, and experience are key elements that determine customer satisfaction and increase brand loyalty. The POS system features required to deliver service that ensures satisfaction are outlined below, according to industry sector:



Food and Beverage

- High computing performance for rapid order processing during peak hours
- Certified front panel to protect the system from water and food damage
- Diverse I/O interfaces to support various peripherals, such as a printer and digital signage system

Hotels

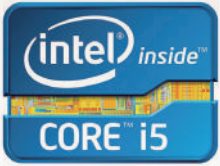
- Efficient computing performance for rapid service and a quiet operating environment
- Stylish appearance and small system footprint compatible with overall décor and spatial limitations
- Diverse peripherals and I/O interfaces to support system management, payment, and digital signage applications



Travel and Leisure (Theaters, Theme Parks, and Spas)

- Powerful and efficient computing performance for prompt processing to eliminate service backlog
- Fanless system to ensure quiet operation and reliability for semi-outdoor environments
- Diverse peripherals and I/O interfaces to support system management, payment, and digital signage applications

How Can UPOS-315 Be the Ideal Hospitality POS System



Powered by Fanless Intel CPUs for Smooth Operation

UPOS-315 can be equipped with the latest Intel® J1900/Core™ i3/i5 processors for superb performance. Better yet, fanless operation can provide quiet operating environment.

Embedded Counterfeit Currency Detection Module

Built-in ultraviolet currency inspection module facilitates counterfeit detection, reducing overall financial risk.



Embedded Adapter

Embedded Power Adapter for Space-Constrained Applications

The inclusion of an embedded power adapter makes the system idea for limited space deployments.

Adjustable Second Display Ensures Comfortable Viewing Angle

The system is equipped with an adjustable second display to provide customers with a comfortable viewing angle.



15" TFT LCD Display (1024 x 768 resolution)

Promotion Space

Varied Promotion Spaces Increase Customer Engagement

The integrated 15" second display and varied promotion spaces can be used to increase customer engagement and boost purchase intentions.

Diverse Modular Peripherals Enable Easy Maintenance and Upgrades

Diverse modular peripherals not only enable easy and convenient maintenance and upgrades, but also support a variety of hospitality applications.



VFD

RFID

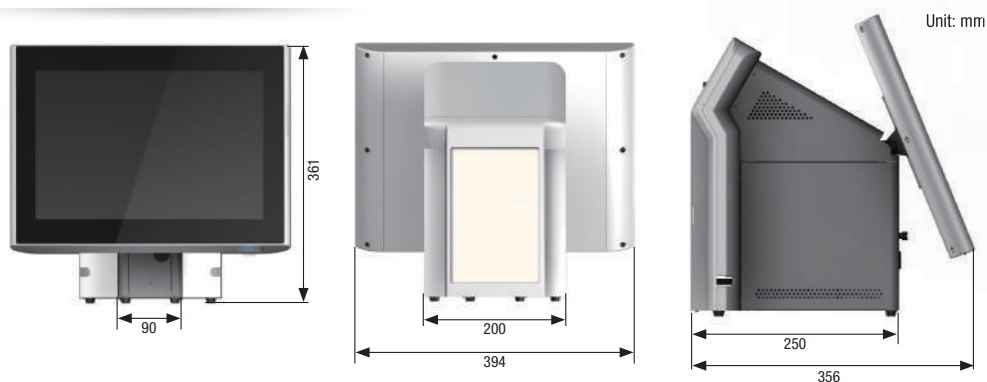
MSR

Barcode Scanner

Specifications

	UPOS-3150	UPOS-315A
Processor	Intel® Celeron® Quad-Core J1900, 2GHz up to 2.42GHz	Intel® Core™ i3-4010U, 1.7GHz
Memory	Up to 8GB (SODIMM 1 x 204 pin, 1333MHz)	Up to 8GB (SODIMM 1 x 204 pin, 1600MHz)
Storage	1 x 2.5" SATA HDD/SSD connector	
Panel	15" TFT LCD display (1024 x 768)	
Touchscreen	Resistive 5-wire (res. flat glass)/Projected capacitive touch panel (PCAP: flat glass) Light transmission: Res. touch 80% +/- 5%; PCAP touch 85% +/- 3%	
Bus Expansion	1 x Mini PCIe; 1 x mSATA	1 x mSATA (co layout with full-size Mini PCIe), 1 x half-size Mini PCIe
Audio	1 x Line out; 1 x Mic in, Speaker box header x 2	1 x Line out; 1 x Mic in
Power Supply	60W (100 ~ 240 VAC, 50 ~ 60Hz, 1.5A) power adapter; 84W (100 ~ 240 VAC, 50 ~ 60Hz, 1.3A) power adapter (optional)	
Serial Ports	3 x RS232 ports: COM1/COM2 support 5V (default) / 12V (optional) with 2 x RS232 (internal)	2 x RS232 ports: COM2 supports 5V and 12V 2 x RS232 ports (optional)
USB ports	3 x USB 2.0 (external), 1 power USB, and 2 USB 2.0 (internal)	4 x USB 3.0 (rear), 1 x USB 2.0 (front), and 1 x USB 2.0 (internal)
Ethernet	1 x RJ-45 Gigabit Ethernet	2 x RJ-45 Gigabit Ethernet
Display Output	1 x VGA	1 x DP/HDMI, 1 x DP++ (supports VGA)
Cash Drawer	1 x RJ11 cash drawer 12V (default), 24V (upon request)	NA
Parallel Port	1 x LPT (optional)	
IP65	IP65 front panel protection	
Dimension (W x H x D)	394 x 361 x 356 mm	
Weight	7.8kg (net weight) / 11.2kg (gross weight)	
Operating Temperature	0 ~ 40 °C	
Relative Humidity	10 ~ 90% @ 40 °C	
EMC / Safety	CE, CCC, UL, FCC	
OS Support	Windows Embedded, POSReady 7, Windows 7 Pro Embedded, Windows 8.1 Pro Embedded (64-bit), Linux Kernel 3.13 or above, Android or above	

Dimensions



Mouser Electronics

Authorized Distributor

Click to View Pricing, Inventory, Delivery & Lifecycle Information:

[Advantech:](#)

[UPOS-300P-S20WE](#) [UPOS-300P-M10WE](#) [UPOS-300P-S10WE](#) [UPOS-300P-M10BE](#) [UPOS-300P-S10BE](#) [UPOS-300P-S20BE](#) [UPOS-300P-R10WE](#) [UPOS-300P-V10BE](#) [UPOS-300P-V10WE](#) [UPOS-300P-R10BE](#)