

DCH3 Series

3 Watts

Total Power: 3 Watts
Input Voltage: 100-254 Vac
of Outputs: Single



Special Features

- Switching wallmount power supply
- Available in multiple AC plug configurations
- CE Mark EMC & LVD
- Universal AC input
- Regulated output
- Overload and short circuit protection
- Constant voltage, constant current
- High MTBF
- Built in EMI filter (CISPR 22 Class B)
- Mini USB 2.0 dc output plug -0001
- Micro USB 2.0 dc output plug -0002
- Energy Star Efficiency Level IV

Safety

cUL 60950 / 6500
CSA 60950
TUV 60950
NEMKO 60950
CB Certificate and report
CE EMC & LVD

Electrical Specifications

Input

Input range:	100-254 Vac (wide range)
Frequency:	47-63 Hz
EMI/RFI:	FCC Part 15, Subpart B Class B & EN55022 (CISPR 22) Class B & EMC89/336/EEC
Safety ground leakage current:	10 μ A @ 50/60 Hz, 230 Vac input

Output

Voltage (Vo):	5 V (4.75 - 5.25 V)
Maximum Power (Po):	3 W
Hold-up time:	25 ms. typical at full load @ 115 Vac
Overvoltage protection:	Single fault 10.5 V max. Latching type
Overload protection:	Output short circuit protection auto recover Overload protected > 800mA
Output cable:	DC cable with Mini USB 2.0 -0001 suffix and Micro USB 2.0 -0002
Connector barrel polarity:	Pin 1: +V Pin 5: ground

Environmental Specifications

Operating temperature:	0° to 45 °C ambient
Storage temperature:	-20°C to +70 °C
Electromagnetic susceptibility:	Designed to meet EN55082-1
Humidity:	Operating; non-condensing 20% to 90% RH
Vibration:	Per IEC 60068-2-6



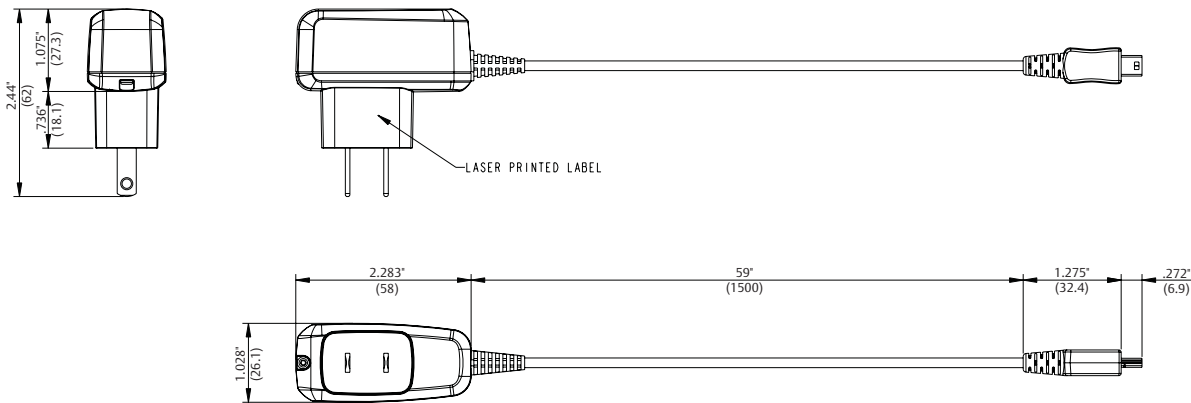
Ordering Information

Model Number	Maximum Power	Output Voltage	Minimum Load	Maximum Load	Ripple P/P (PAR) ¹	Connector
DCH3-050US-0001	3 W	5 V	0	0.55 A	200 mV	Mini USB 2.0
DCH3-050EU-0001	3 W	5 V	0	0.55 A	200 mV	Mini USB 2.0
DCH3-050UK-0001	3 W	5 V	0	0.55 A	200 mV	Mini USB 2.0
DCH3-050US-0002	3 W	5 V	0	0.55 A	200 mV	Micro USB 2.0
DCH3-050EU-0002	3 W	5 V	0	0.55 A	200 mV	Micro USB 2.0
DCH3-050UK-0002	3 W	5 V	0	0.55 A	200 mV	Micro USB 2.0

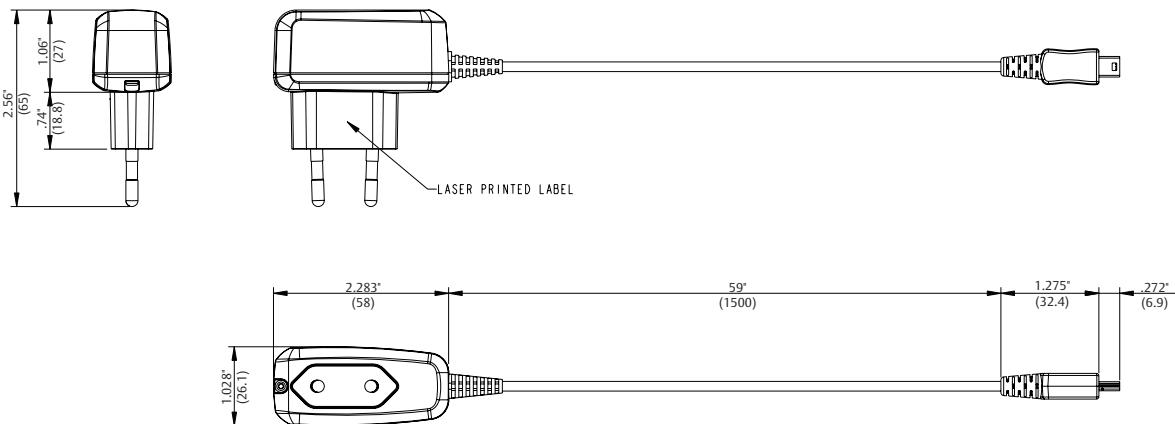
1. Peak-to-peak with 20 mHz bandwidth and 10 μ F (tantalum capacitor) in parallel with a 0.1 μ F capacitor at rated line voltage and load ranges.
2. Output should not be grounded for EMI purpose.

Mechanical Drawing

DCH3-050US

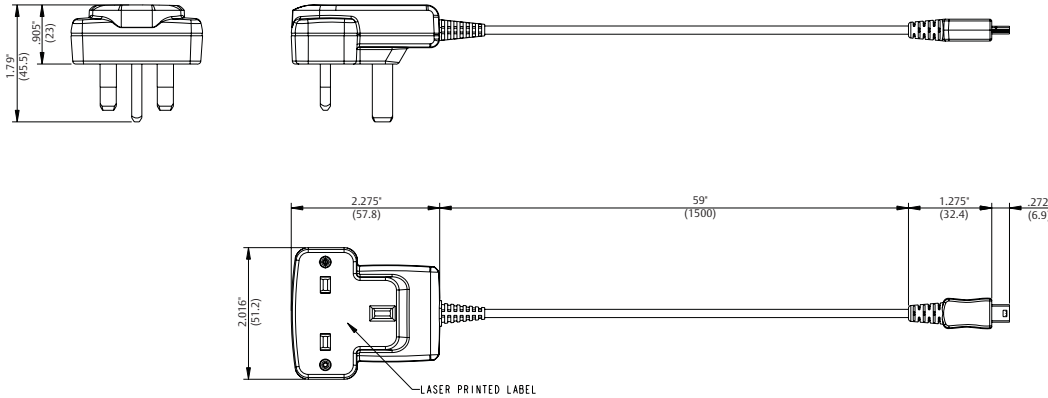


DCH3-050EU

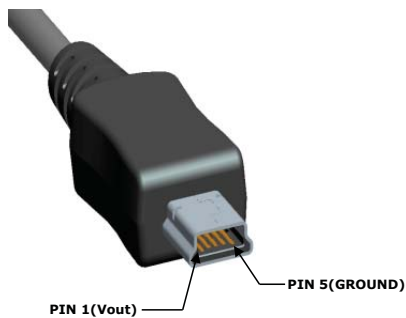


Mechanical Drawing

DCH3-050UK



Pin Assignments



Notes:

1. Specifications subject to change without notice.
2. All dimensions in inches (mm), tolerance is $\pm .02$ ".
3. Warranty: 2 years
4. Weight: 0.144 lb. / 0.066kg.

Americas

5810 Van Allen Way
Carlsbad, CA 92008
USA

Telephone: +1 (760) 930 4600
Facsimile: +1 (760) 930 0698

Europe (UK)

Waterfront Business Park
Merry Hill, Dudley
West Midlands, DY5 1LX
United Kingdom

Telephone: +44 (0) 1384 842 211
Facsimile: +44 (0) 1384 843 355

Asia (HK)

14/F, Lu Plaza
2 Wing Yip Street
Kwun Tong, Kowloon
Hong Kong

Telephone: +852 2176 3333
Facsimile: +852 2176 3888

For global contact, visit:

www.powerconversion.com
techsupport.embeddedpower@emerson.com

While every precaution has been taken to ensure accuracy and completeness in this literature, Emerson Network Power assumes no responsibility, and disclaims all liability for damages resulting from use of this information or for any errors or omissions.

Emerson Network Power.

The global leader in enabling
business-critical continuity.

- AC Power
- Connectivity
- DC Power
- Embedded Computing
- **Embedded Power**
- Monitoring
- Outside Plant
- Power Switching & Controls
- Precision Cooling
- Racks & Integrated Cabinets
- Services
- Surge Protection

EmersonNetworkPower.com

Emerson Network Power and the Emerson Network Power logo are trademarks and service marks of Emerson Electric Co.
©2008 Emerson Electric Co.

Mouser Electronics

Authorized Distributor

Click to View Pricing, Inventory, Delivery & Lifecycle Information:

[Artesyn Embedded Technologies:](#)

[DCH3-050US-0001](#)