

PJB Open Frame Power Supply

24 V 300 W 1 Phase / PJB-24V300W□□□

PJB

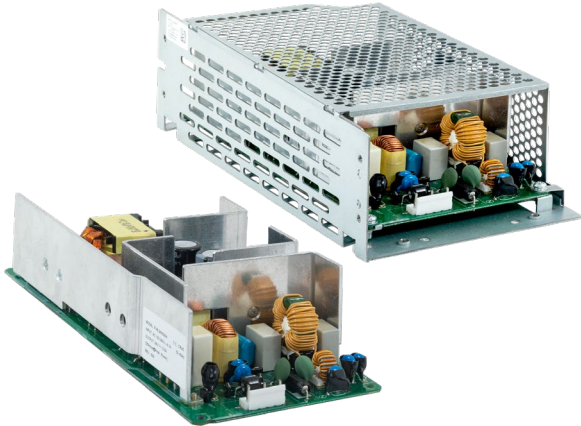
Highlights & Features

- Universal AC Input voltage range
- Up to 93.5% efficiency
- Power Boost of 200% for 10 seconds
- High PF up to 0.99 and conforms to harmonic current
- IEC/EN/BS EN 61000-3-2, Class A
- Conformal coating on PCBA to protect against common dust and chemical pollutants
- Versatile configuration options: Open Frame, L Frame, Enclosed
- Remote ON/OFF option for selected models
- Design to meet Japan DENAN(PSE) @ 100-240 Vac

Safety Standards



CB Certified for worldwide use / PSE Compliance



Model Number: PJB-24V300W□□□

	Open Frame	L Frame	Enclosed
Unit Weight:	0.64 kg (1.41 lb)	0.95 kg (2.09 lb)	1.05 kg (2.31 lb)
Dimensions (L x W x H):	222 x 95 x 53.6 mm (8.74 x 3.74 x 2.11 inch)	252 x 108 x 65.4 mm (9.92 x 4.25 x 2.57 inch)	252 x 108 x 66 mm (9.92 x 4.25 x 2.6 inch)

General Description

The Open frame power supply PJB-24V300W□□□ comes with universal AC input at 85 Vac to 264 Vac. Other features include low leakage / Inrush current and conformal coating on the PCBAs to provide protection against dust and chemical pollutants. The built-in active PFC provides up to PF 0.99 and fulfills Harmonic Current Emission according to IEC/EN/BS EN 61000-3-2. The feature built-in Power Boost of 200% for 10 seconds enables reserve power to be always available for reliable startup of loads with high inrush current, thus eliminating the need of a more expensive power supply unit at higher power rating. Metal chassis and case cover are available as options for different installation preferences.

The product is certified for EMI standards according to EN/BS EN 55032 and EMS according to IEC 61000-6-2. The products conform to major international safety standards according to IEC 60950-1/62368-1 standards and are fully compliant with RoHS Directive for environmental protection.

Model Information

PJB Open Frame Power Supply

Model Number	Input Voltage Range	Rated Output Voltage	Rated Output Current
PJB-24V300W□□□	85-264 Vac	24 Vdc	12.5 A

Model Numbering

						CC Code
PJ	B –	24V	300W	□	□	□
Open Frame	Product Type B – Power Boost Series	Output Voltage	Output Power	Package Type B – Open Frame L – L Frame C – Enclosed	Remote ON/OFF Function N – No Remote ON/OFF R – With Remote ON/OFF	Connector Type A – JST* J – IP20*

*Options



1 | All parameters are specified at 25°C ambient and AC input unless otherwise indicated.
www.DeltaPSU.com (April 2022, Rev. 05)



PJB Open Frame Power Supply

24 V 300 W 1 Phase / PJB-24V300W□□□

Specifications

Input Ratings / Characteristics

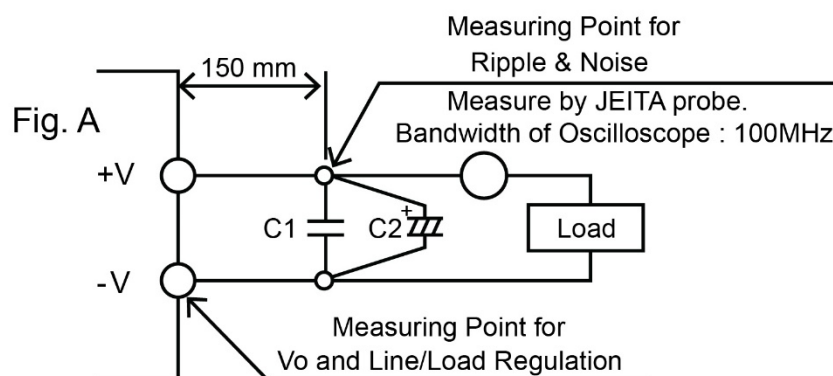
Nominal Input Voltage	100-240 Vac
Input Voltage Range	85-264 Vac
Nominal Input Frequency	50-60 Hz
Input Frequency Range	47-63 Hz
Input Current	4.1 A typ. @ 100 Vac, 2.0 A typ. @ 200 Vac
Efficiency at 100% Load	91% typ. @ 100 Vac, 93.5% typ. @ 200 Vac
Max Inrush Current (Cold Start)	15 A typ. @ 100 Vac, 30 A typ. @ 200 Vac
Power Factor at 100% Load	0.99 typ. @ 100 Vac, 0.95 typ. @ 200 Vac
Leakage Current	0.2 mA @ 100 Vac, 0.4 mA @ 200 Vac

Output Ratings / Characteristics*1

Nominal Output Voltage	24 Vdc
Factory Set Point Tolerance	24 Vdc \pm 2% @ No load
Output Voltage Adjustment Range	21.6-26.4 Vdc
Output Current	12.5 A (continuously operating at 24 V) 25 A (Power Boost for 10 seconds at 24 V, refer to the details in the Functions section)
Output Power	300 W (continuously operating at 24 V) 600 W (Power Boost for 10 seconds at 24 V, refer to the details in the Functions section)
Line Regulation	< 96 mV
Load Regulation	< 150 mV
PARD*2 (20 MHz)	< 150 mVpp @ > 0°C to 50°C < 180 mVpp @ -10°C to 0°C
Start-up Time	500 ms typ. @ 100 Vac & 200 Vac (100% load)
Hold-up Time	20 ms typ. @ 100 Vac & 200 Vac (100% load)
Dynamic Response (Overshoot & Undershoot O/P Voltage)	\pm 5% @ 0-50% load and 50-100% load (Slew Rate: 0.1 A/ μ S, 50% duty cycle @ 100 Hz & 1 KHz)
Start-up with Capacitive Loads	8,000 μ F Max

*1 For power de-rating from 50°C to 70°C, see power de-rating on page 3.

*2 PARD is measured with an AC coupling mode, 150 mm wires, and in parallel end terminal with 0.1 μ F capacitor (C1) & 22 μ F electrolytic capacitor (C2).



PJB Open Frame Power Supply

24 V 300 W 1 Phase / PJB-24V300W□□□

Mechanical

Case Cover / Chassis	SGCC		
Dimensions	Open Frame	222 x 95 x 53.6 mm (8.74 x 3.74 x 2.11 inch)	
	L Frame	252 x 108 x 65.4 mm (9.92 x 4.25 x 2.57 inch)	
	Enclosed	252 x 108 x 66 mm (9.92 x 4.25 x 2.6 inch)	
Unit Weight	Open Frame	0.64 kg (1.41 lb)	
	L Frame	0.95 kg (2.09 lb)	
	Enclosed	1.05 kg (2.31 lb)	
Indicator	NA		
Cooling System	Convection / Forced Cooling		
Terminal	Input	JST B3P5-VH (LF)(SN)	Emuden T7201-A-X
	Output (-)	JST B7P-VH (LF)(SN)	Emuden T7465
	Output (+)	JST B6P-VH (LF)(SN)	
Wire	AWG 22-16		
Noise (1 Meter from power supply)	Sound Pressure Level (SPL) < 25 dBA		

Environment

Surrounding Air Temperature	Operating	-10°C to +70°C
	Storage	-25°C to +85°C
Power De-rating	Temperature (Mounting Orientation A)	<p>Convection Open Frame / L Frame: > 50°C de-rate power by 2% / °C Enclosed: > 40°C de-rate power by 2% / °C</p> <p>Forced Cooling Open Frame / L Frame: > 60°C de-rate power by 2% / °C Enclosed: > 50°C de-rate power by 2% / °C</p> <p>(For other mounting orientations, please see pages 13)</p>
	Input Voltage	< 90 Vac de-rate power by 2% / V
Operating Humidity	5 to 90% RH (Non-Condensing)	
Operating Altitude	0 to 5,000 Meters (16,400 ft.)	
Shock Test (Non-Operating)	IEC 60068-2-27, Half Sine Wave: 50 G for a duration of 11 ms, 3 shocks for each 3 directions	
Vibration (Operating)	IEC 60068-2-6, Sine Wave: 10 Hz to 55 Hz @ 19.6 m/S ² (2 G peak); 10 min per cycle, 60 min per axis for all X, Y, Z direction	
Pollution Degree	2	

Protections

Overvoltage	27.6-33.6 V, Latch Mode
Overload / Overcurrent	> 201% of rated load current, Hiccup Mode, Non-Latching (Auto-Recovery)
Over Temperature	Latch Mode
Short Circuit	Hiccup Mode, Non-Latching (Auto-Recovery when the fault is removed)
Internal Fuse	T10AH
Protection Against Shock	Class I with PE*3 connection

*3 PE: Primary Earth

PJB Open Frame Power Supply

24 V 300 W 1 Phase / PJB-24V300W□□□

Reliability Data

MTBF	JEITA RCR-9102B	> 200,000 hrs.
Expected Cap Life Time		10 years (100 Vac, 50% load @ 40°C)

Safety Standards / Directives

Safety Entry Low Voltage		SELV
Electrical Safety	CB scheme TUV Bauart cTUVus	IEC 60950-1 / IEC 62368-1 EN 60950-1 / EN 62368-1 UL 62368-1 and CSA C22.2 No. 62368-1 Design to meet DENAN at 100 Vac – 240 Vac
CE		In conformance with EMC Directive 2014/30/EU and Low Voltage Directive 2014/35/EU
UKCA		In conformance with Electromagnetic Compatibility Regulations 2016 and Electrical Equipment (Safety) Regulations 2016
Galvanic Isolation	Input to Output	3.0 KVac
	Input to Ground	2.0 KVac
	Output to Ground	0.5 KVac

EMC

Emissions (CE & RE)		CISPR 32, EN/BS EN 55032, Comply with FCC Title 47: Class B		
Immunity		Generic Standards: EN/BS EN 55035; Design to meet IEC 61000-6-2		
Electrostatic Discharge	IEC 61000-4-2	Level 4 Criteria A ¹⁾ Air Discharge: 15 kV Contact Discharge: 8 kV		
Radiated Field	IEC 61000-4-3	Level 3 Criteria A ¹⁾ 80 MHz-1 GHz, 10 V/M with 1 kHz tone / 80% modulation		
Electrical Fast Transient / Burst	IEC 61000-4-4	Level 4 Criteria A ¹⁾ 4 kV		
Surge	IEC 61000-4-5	Level 4 Criteria A ¹⁾ Common Mode ³⁾ : 4 kV Differential Mode ⁴⁾ : 2 kV		
Conducted	IEC 61000-4-6	Level 3 Criteria A ¹⁾ 150 kHz-80 MHz, 10 Vrms		
Power Frequency Magnetic Fields	IEC 61000-4-8	Level 4 Criteria A ¹⁾ Magnetic field strength 30 A/Meter		
Voltage Dips and Interruptions	IEC 61000-4-11	0% of 100 Vac 40% of 100 Vac 70% of 100 Vac 0% of 200 Vac 40% of 200 Vac 70% of 200 Vac	20 ms, 5000 ms 200 ms 500 ms 20 ms, 5000 ms 200 ms 500 ms	Criteria B ²⁾ Criteria B ²⁾ Criteria B ²⁾ Criteria B ²⁾ Criteria B ²⁾ Criteria B ²⁾
Harmonic Current Emission		IEC/EN/BS EN 61000-3-2, Class A and Class D (@100% Load)		
Voltage Fluctuation and Flicker		IEC/EN/BS EN 61000-3-3		
Voltage Sag Immunity SEMI F47 – 0706		80% of 200 Vac 70% of 200 Vac 50% of 200 Vac	160 Vac, 1000 ms 140 Vac, 500 ms 100 Vac, 200 ms	Criteria A ¹⁾ Criteria A ¹⁾ Criteria A ¹⁾

1) Criteria A: Normal performance within the specification limits

2) Criteria B: Temporary degradation or loss of function which is self-recoverable

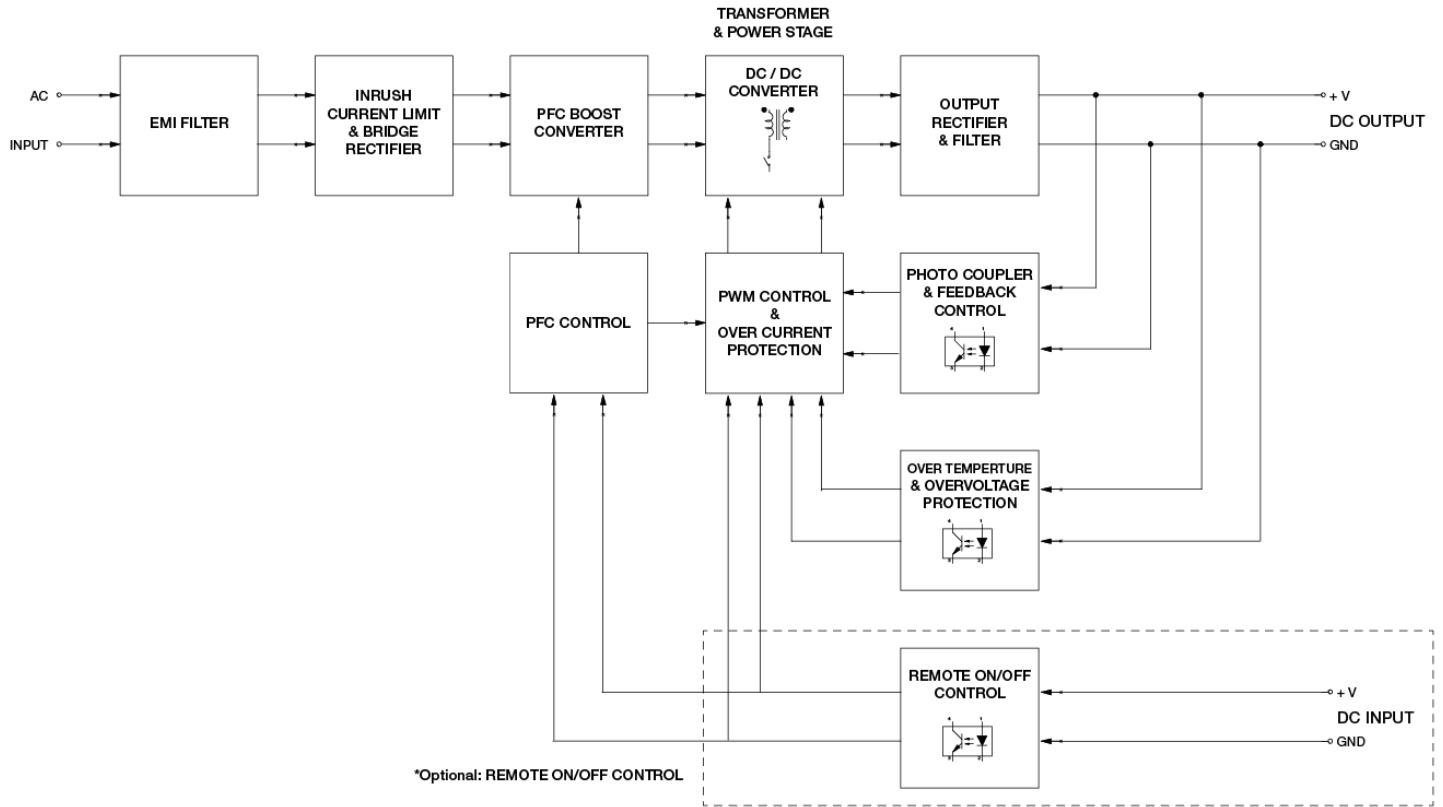
3) Asymmetrical: Common mode (Line to earth)

4) Symmetrical: Differential mode (Line to line)

PJB Open Frame Power Supply

24 V 300 W 1 Phase / PJB-24V300W□□□

Block Diagram



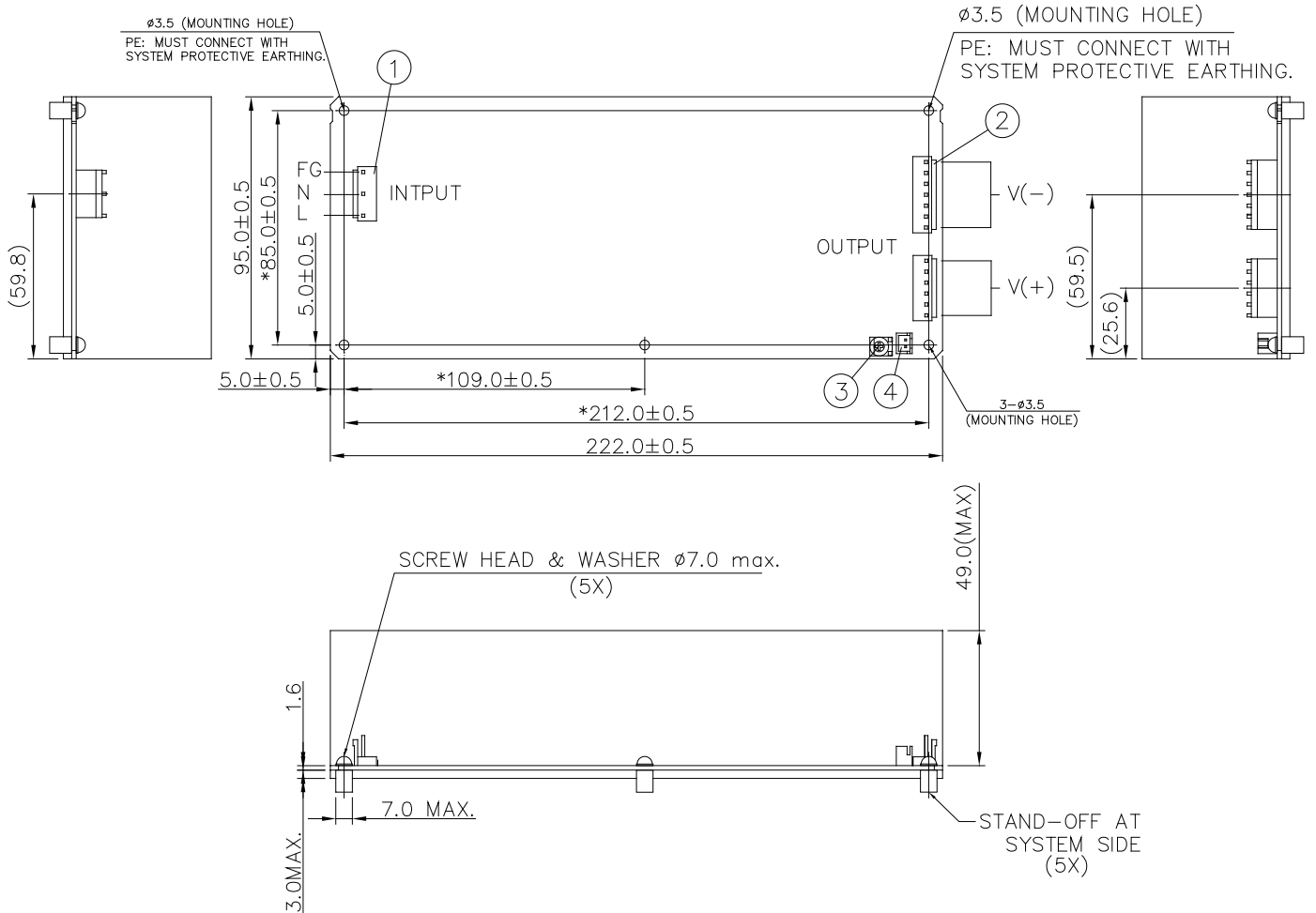
PJB Open Frame Power Supply

24 V 300 W 1 Phase / PJB-24V300W□□□

Dimensions

PJB-24V300WB□□A (Open Frame) with JST Connector

L x W x H: 222 x 95 x 53.6 mm (8.74 x 3.74 x 2.11 inch)



Item	Device Description
1	Input Connector (JST B3P5-VH (LF)(SN))
2	Output Connector (JST B7P-VH (LF)(SN)/JST B6P-VH (LF)(SN))
3	VR
4	Remote ON/OFF (JST B2B-XH-A)

Notes

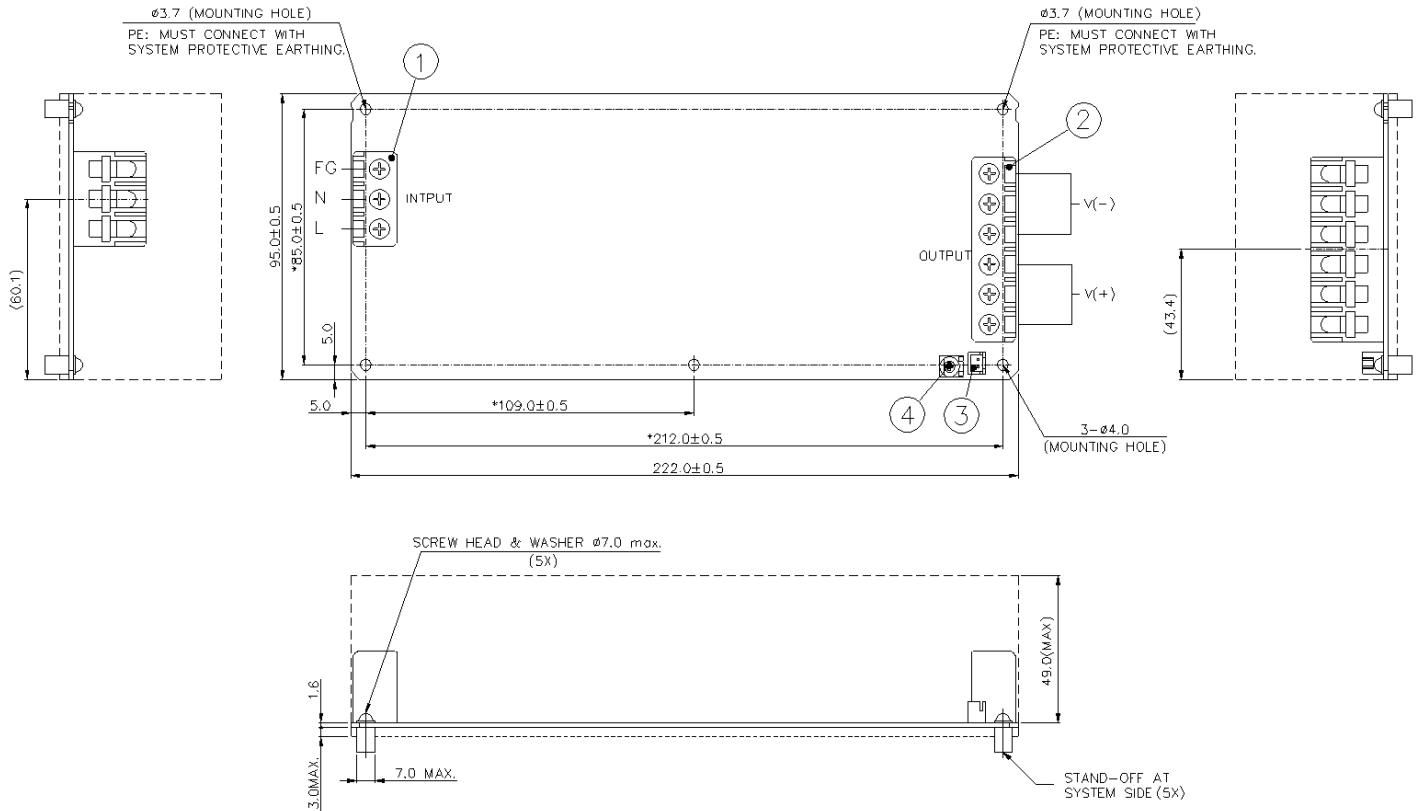
- Dimensions are in mm [inch]
- For information on Mounting Torque, and I/O Connector and Housing, please refer to the Instruction Manual.

PJB Open Frame Power Supply

24 V 300 W 1 Phase / PJB-24V300W□□□

PJB-24V300WB□□J (Open Frame) with Emuden Connector

L x W x H: 222 x 95 x 53.6 mm (8.74 x 3.74 x 2.11 inch)



Item	Device Description
1	Input Connector (Emuden T7201-A-X)
2	Output Connector (Emuden T7465)
3	VR
4	Remote ON/OFF (JST B2B-XH-A)

Notes

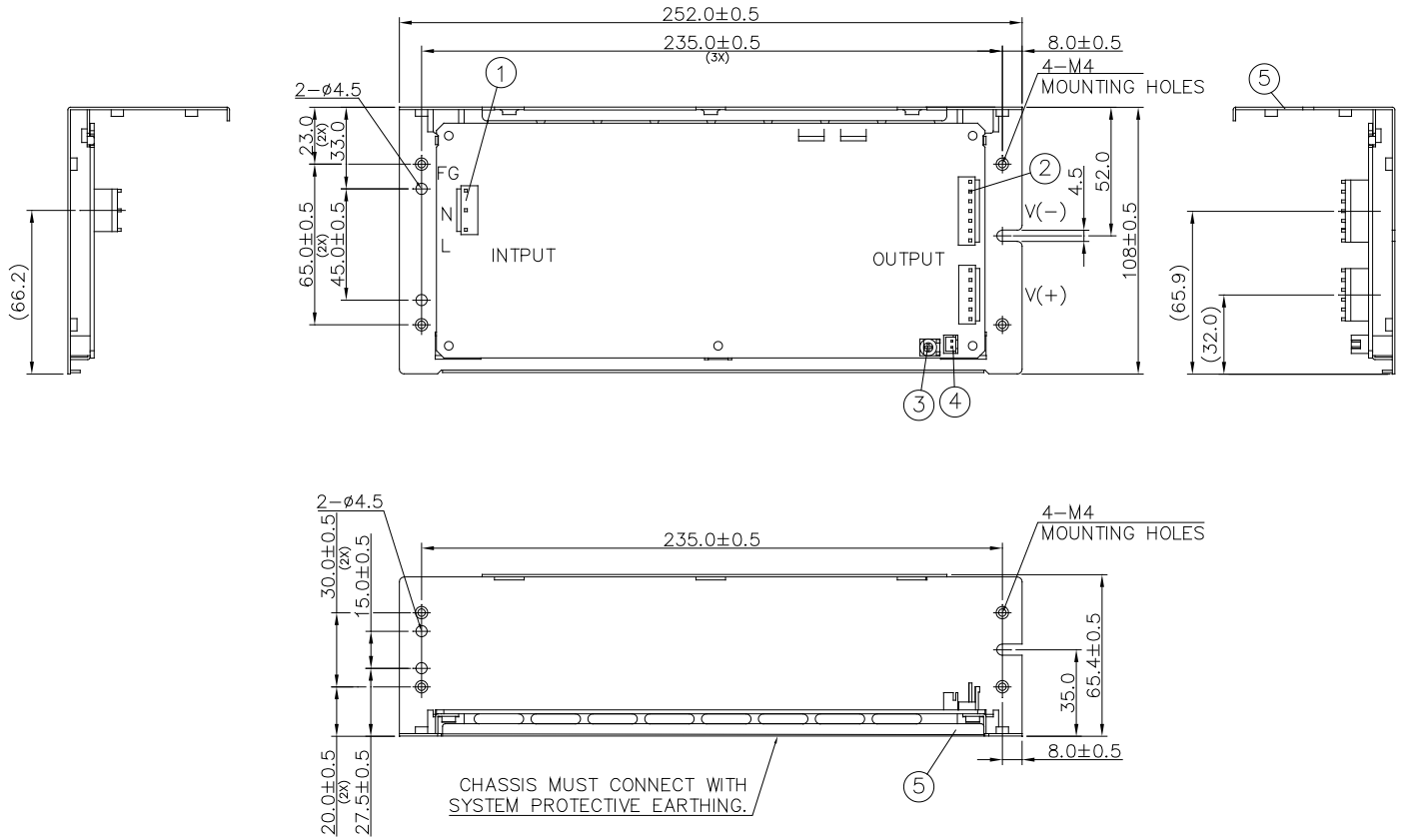
- Dimensions are in mm [inch]
- For information on Mounting Torque, and I/O Connector and Housing, please refer to the Instruction Manual.

PJB Open Frame Power Supply

24 V 300 W 1 Phase / PJB-24V300W□□□

PJB-24V300WL□A (L Frame) with JST Connector

L x W x H: 252 x 108 x 65.4 mm (9.92 x 4.25 x 2.57 inch)



Item	Device Description
1	Input Connector (JST B3P5-VH (LF)(SN))
2	Output Connector (JST B7P-VH (LF)(SN)/JST B6P-VH (LF)(SN))
3	VR
4	Remote ON/OFF (JST B2B-XH-A)
5	Chassis

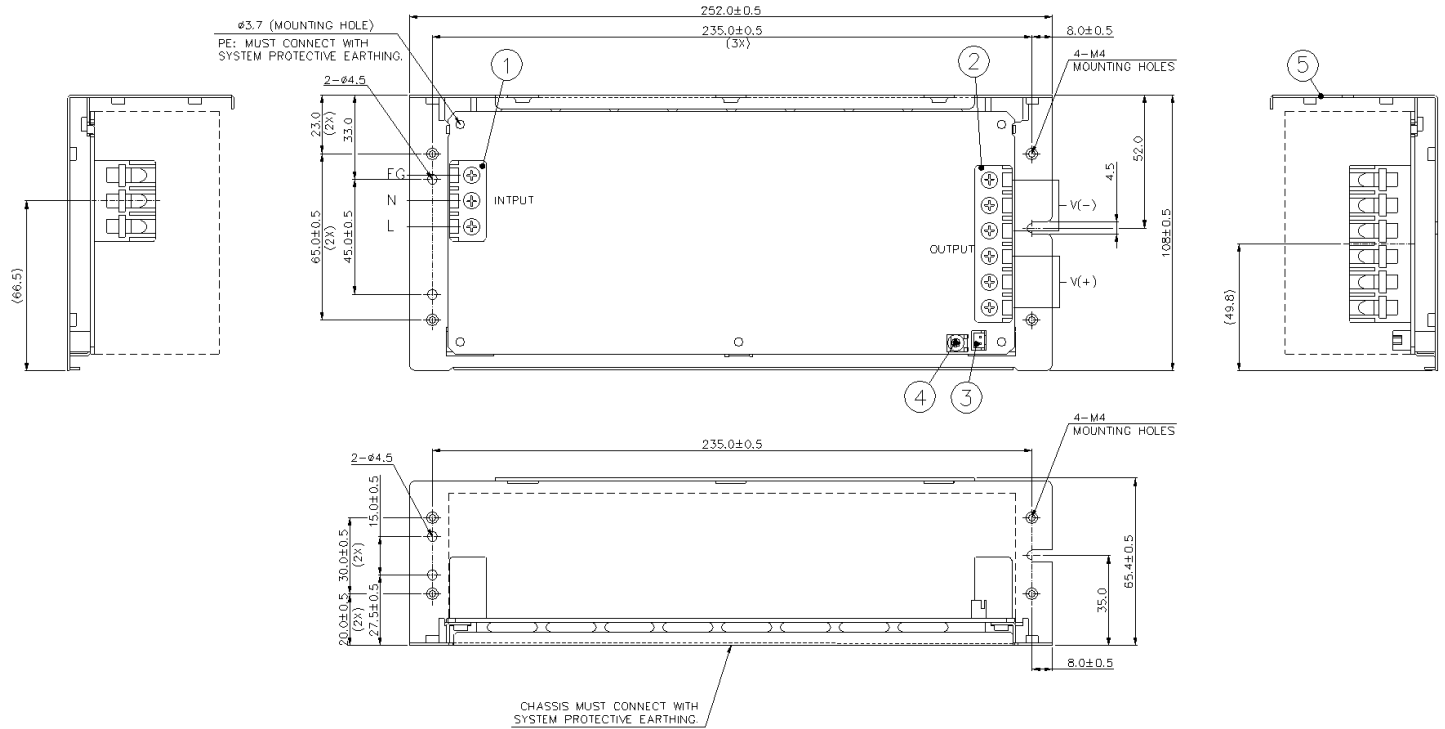
Notes

- Dimensions are in mm [inch]
- For information on Mounting Torque, and I/O Connector and Housing, please refer to the Instruction Manual.
- For L Frame type: There are 6 threaded mounting holes and 5 normal mounting holes.

PJB Open Frame Power Supply

24 V 300 W 1 Phase / PJB-24V300W□□□

PJB-24V300WL□□J (L Frame) with Emuden Connector
L x W x H: 252 x 108 x 65.4 mm (9.92 x 4.25 x 2.57 inch)



Item	Device Description
1	Input Connector (Emuden T7201-A-X)
2	Output Connector (Emuden T7465)
3	VR
4	Remote ON/OFF (JST B2B-XH-A)
5	Chassis

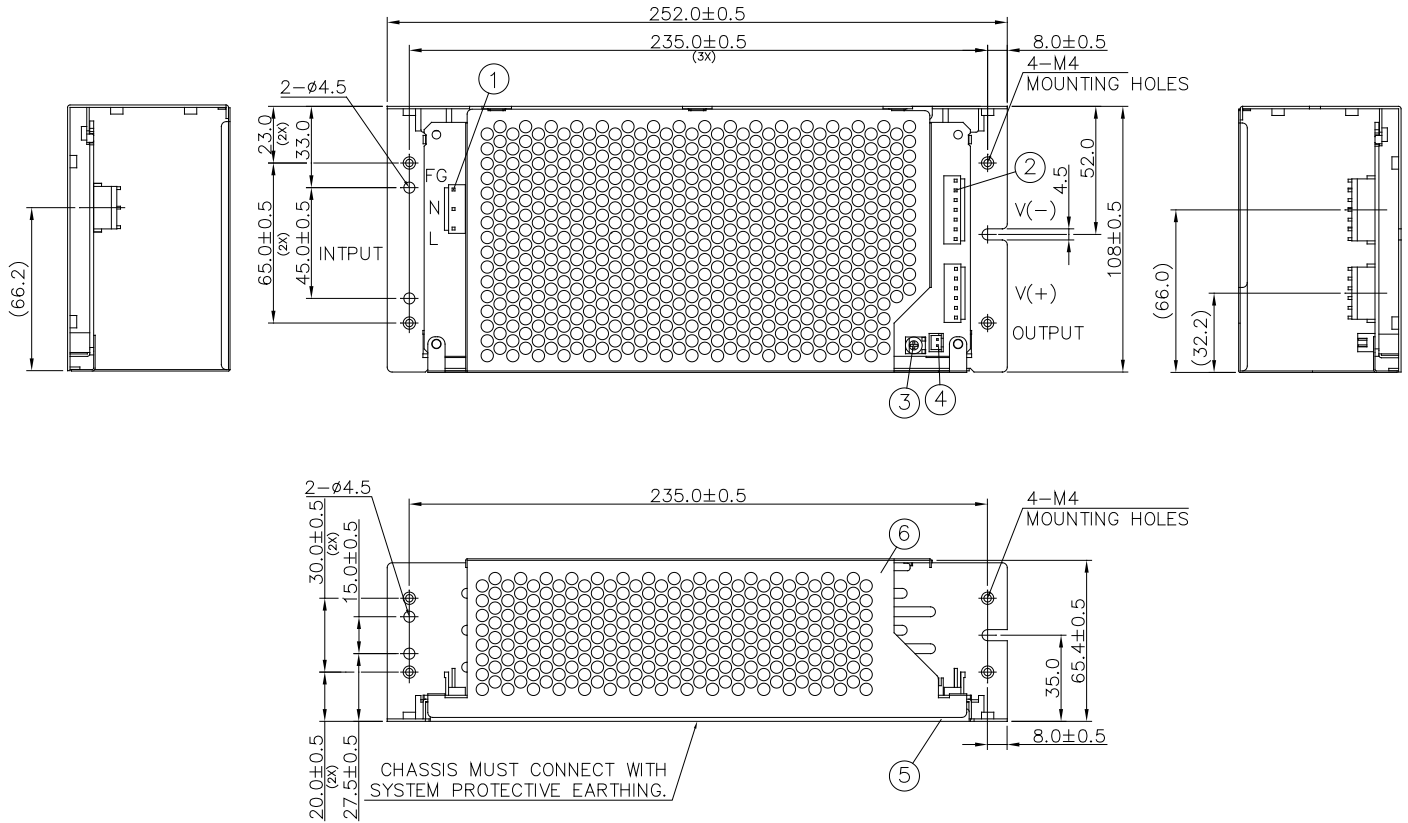
Notes

- Dimensions are in mm [inch]
- For information on Mounting Torque, and I/O Connector and Housing, please refer to the Instruction Manual.
- For L Frame type: There are 6 threaded mounting holes and 5 normal mounting holes.

PJB Open Frame Power Supply

24 V 300 W 1 Phase / PJB-24V300W□□□

PJB-24V300WC□□A (Enclosed) with JST Connector
 L x W x H: 252 x 108 x 66 mm (9.92 x 4.25 x 2.6 inch)



Item	Device Description
1	Input Connector (JST B3P5-VH (LF)(SN))
2	Output Connector (JST B7P-VH (LF)(SN)/JST B6P-VH (LF)(SN))
3	VR
4	Remote ON/OFF (JST B2B-XH-A)
5	Chassis
6	Cover

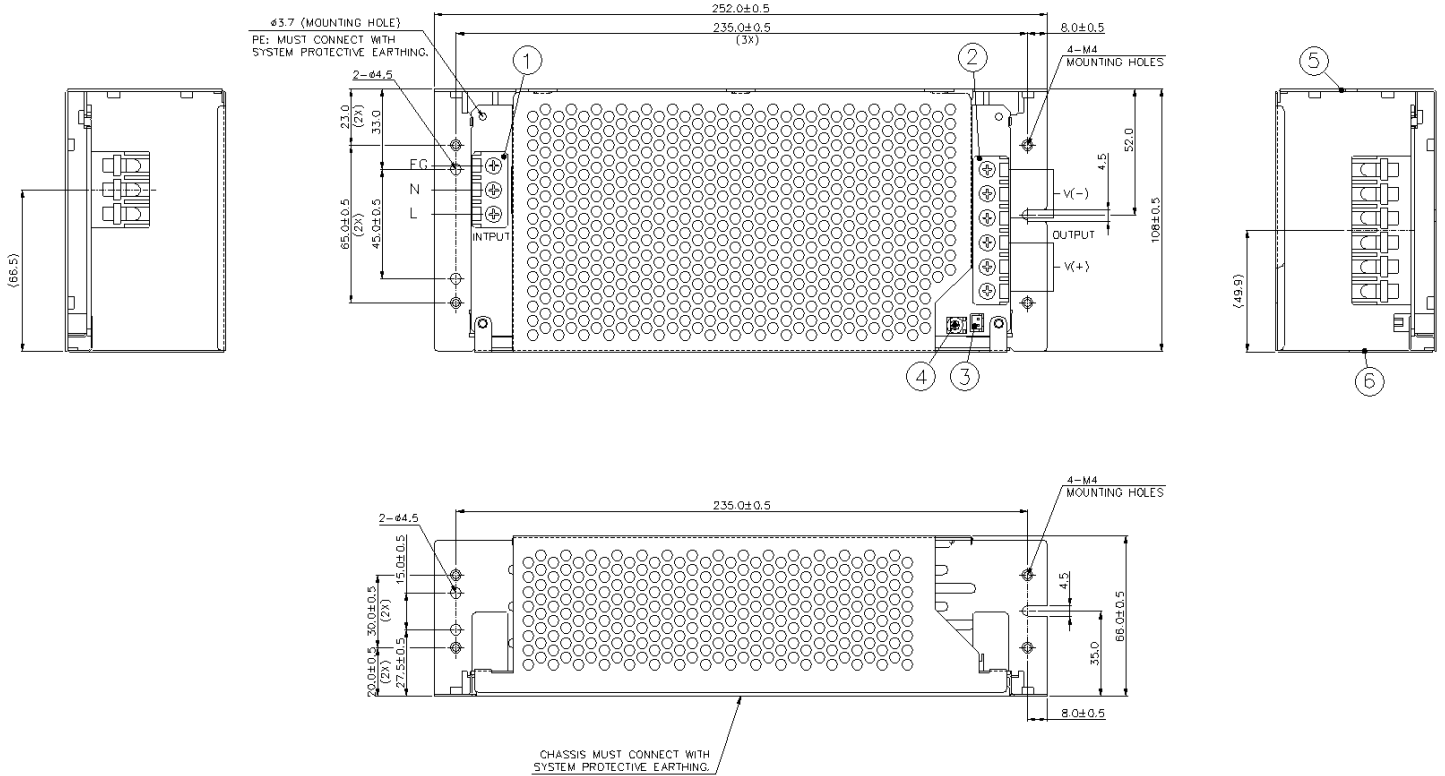
Notes

- Dimensions are in mm [inch]
- For information on Mounting Torque, and I/O Connector and Housing, please refer to the Instruction Manual.
- For Open Frame type: There are 4 normal mounting holes

PJB Open Frame Power Supply

24 V 300 W 1 Phase / PJB-24V300W□□□

PJB-24V300WC□□J (Enclosed) with Emuden Connector
 L x W x H: 252 x 108 x 66 mm (9.92 x 4.25 x 2.6 inch)



Item	Device Description
1	Input Connector (Emuden T7201-A-X)
2	Output Connector (Emuden T7465)
3	VR
4	Remote ON/OFF (JST B2B-XH-A)
5	Chassis
6	Cover

Notes

- Dimensions are in mm [inch]
- For information on Mounting Torque, and I/O Connector and Housing, please refer to the Instruction Manual.
- For Open Frame type: There are 4 normal mounting holes

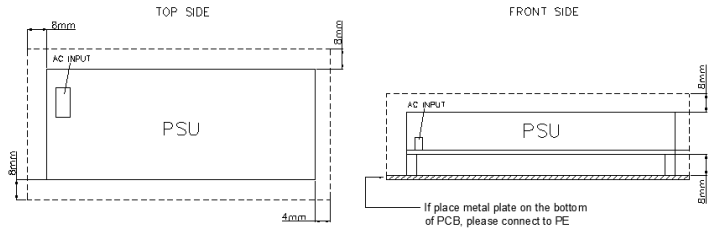
PJB Open Frame Power Supply

24 V 300 W 1 Phase / PJB-24V300W□□□

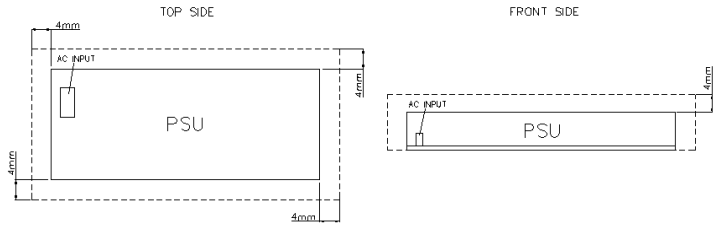
Assembly & Installation

Assembly Reference

■ Open Frame



■ L Frame / Enclosed



For safety reasons, please ensure the mounted device is kept safety distance as below at all sides from other components and equipments.

a) For Open Frame Type ≥ 8 mm (0.315 inch) from primary side and ≥ 4 mm (0.16 inch) from secondary side.

b) For with Case Type ≥ 4 mm (0.16 inch)

Please insert an insulation sheet between the system and product, if the safety distance is less than 4 mm (0.16 inch).

- Use flexible cable (stranded or solid) of AWG No. 22-16. Please refer to Table 1 for the recommended Housing and Terminal.
- For the Remote ON/OFF function, use flexible cable (stranded or solid) of AWG No. 28-22.

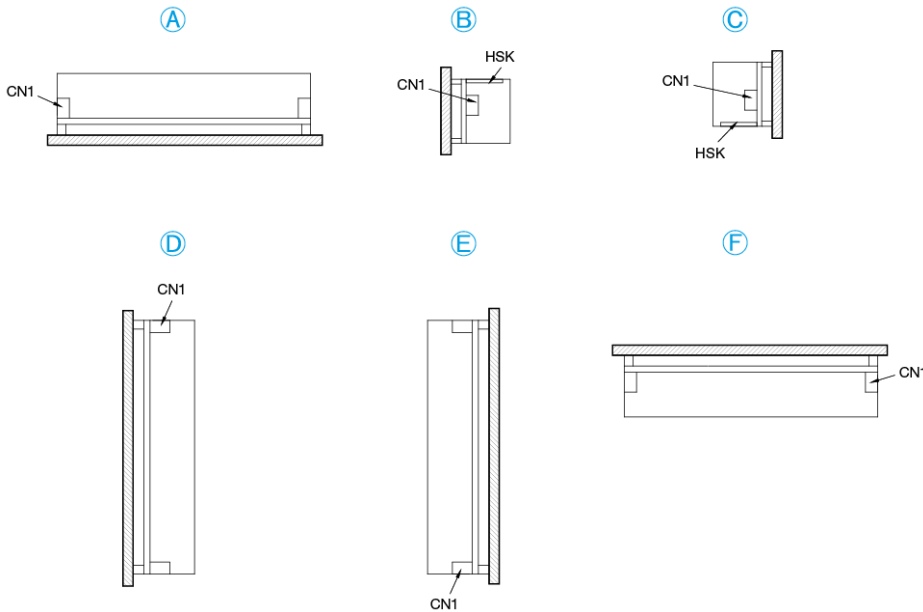
Table 1

		Connector (Board Mounting)	Housing	Terminal
Input (JST)		B3P5-VH(LF)(SN)	VHR-5N	SVH-21T-P1.1
Output (JST)	V-	B7P-VH(LF)(SN)	VHR-7N	
	V+	B6P-VH(LF)(SN)	VHR-6N	
Remote ON/OFF Function (Option)		B2B-XH-A(LF)(SN)	XHP-2	SXH-001T-P0.6

PJB Open Frame Power Supply

24 V 300 W 1 Phase / PJB-24V300W□□□

Mounting Orientation



- Any excessive twisting or bending may damage the device's PCB. Please handle the device with care.
- The device is not recommended to be placed on low thermal conductive surfaces. For example, plastics.
- Prevent any foreign metal, particles or conductors from entering the device through the openings during installation. It may cause: -Electric shock; Safety hazard; Product failure.
- **The power supply must be mounted by metal screws onto a grounded metal surface. It is highly recommended that the Earth terminal on the connector be connected to the grounded metal surface.**

Engineering Data

Output Load De-rating VS Surrounding Air Temperature (Convection)

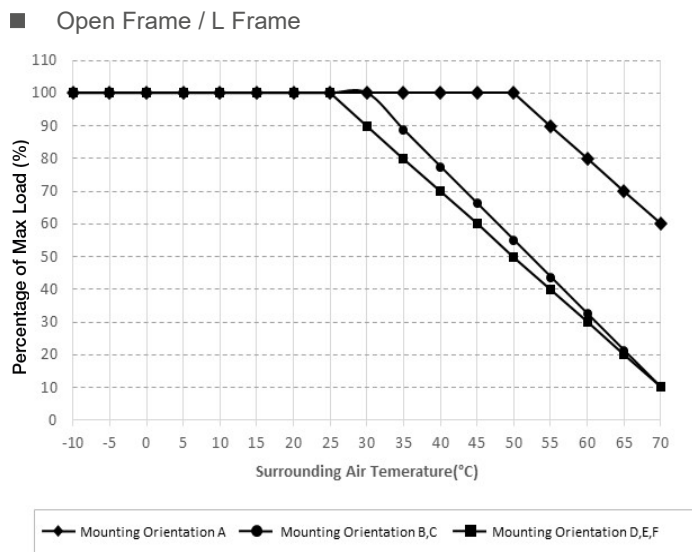


Fig.1.1 De-rating for Mounting Orientation A
 > 50°C de-rate power by 2% / °C
 De-rating for Mounting Orientation B, C
 > 30°C de-rate power by 2.25% / °C
 De-rating for Mounting Orientation D, E, F
 > 25°C de-rate power by 2% / °C

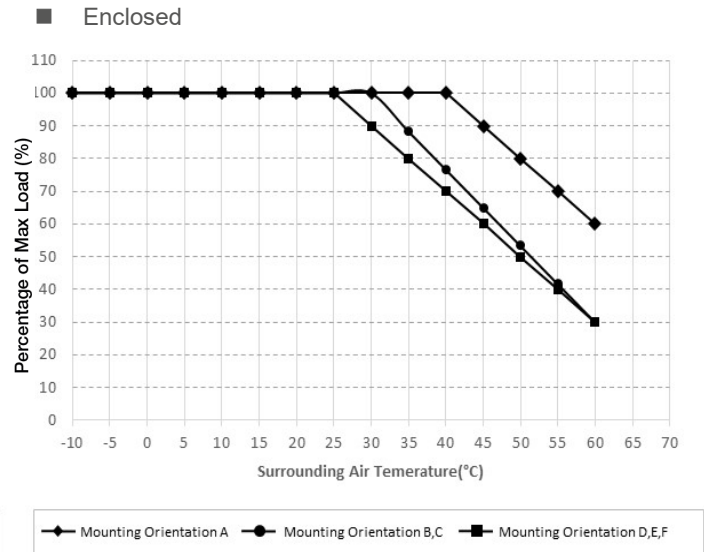


Fig.1.2 De-rating for Mounting Orientation A
 > 40°C de-rate power by 2% / °C
 De-rating for Mounting Orientation B, C
 > 30°C de-rate power by 2.33% / °C
 De-rating for Mounting Orientation D, E, F
 > 25°C de-rate power by 2% / °C

PJB Open Frame Power Supply

24 V 300 W 1 Phase / PJB-24V300W□□□

Output Load De-rating VS Surrounding Air Temperature (Forced Cooling: Air Velocity > 0.7 m/s)

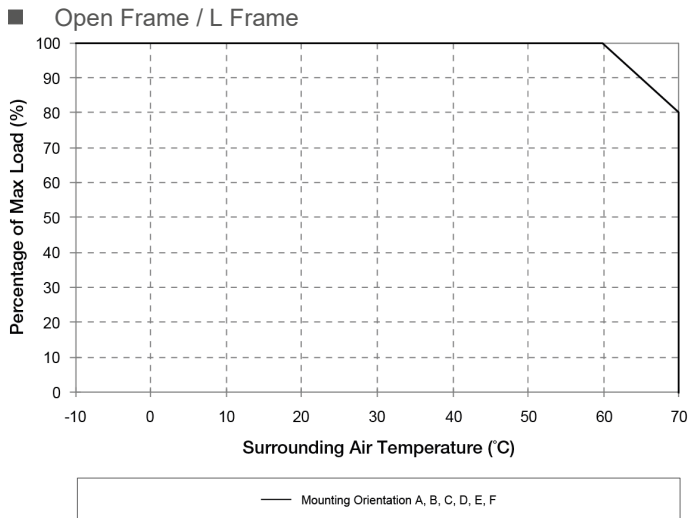
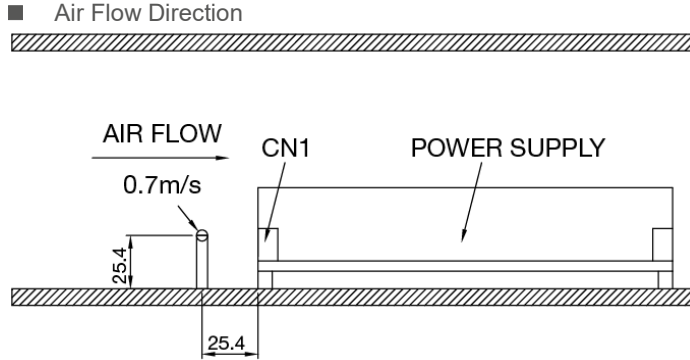


Fig.1.3 De-rating for Mounting Orientation A to F
> 60°C de-rate power by 2% / °C

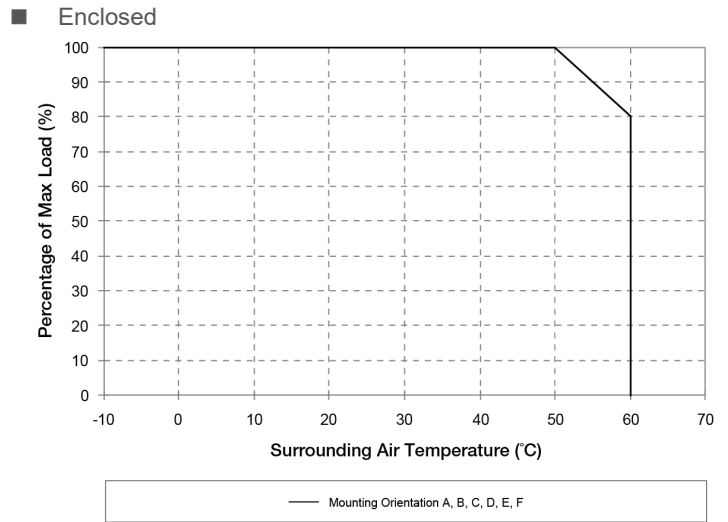


Fig.1.4 De-rating for Mounting Orientation A to F
> 50°C de-rate power by 2% / °C

Notes

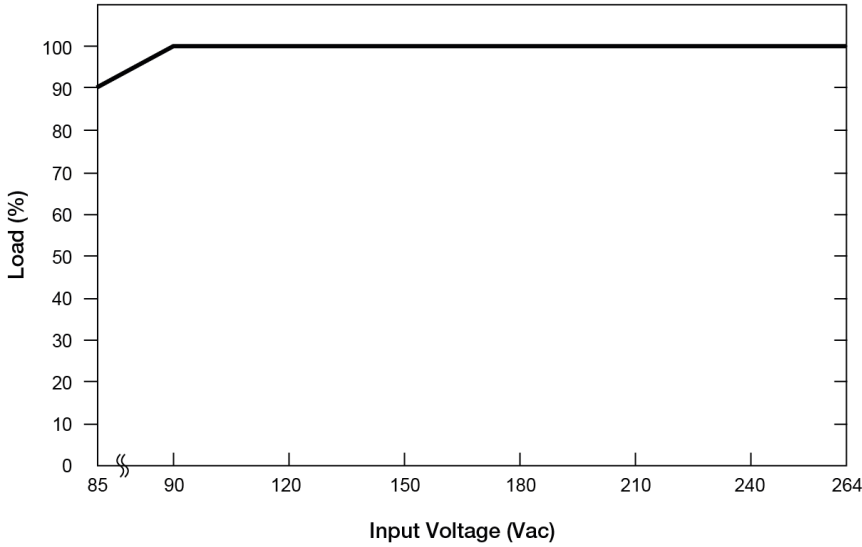
1. Power supply components may degrade, or be damaged, when the power supply is continuously used outside the shaded region, refer to the graphs shown above.
2. If the output capacity is not reduced when the surrounding air temperature is more than the upper limit temperature, the device will run into Over Temperature Protection. When activated, the output voltage will latch off, until the surrounding air temperature is lowered or the load is reduced as far as necessary to keep the device in working condition, and require removal/re-application of input AC voltage in order to restart.
3. Depending on the surrounding air temperature and output load delivered by the power supply, the device housing can be very hot!
4. If the device has to be mounted in any other orientation, please contact info@deltapsu.com for more details.



PJB Open Frame Power Supply

24 V 300 W 1 Phase / PJB-24V300W□□□

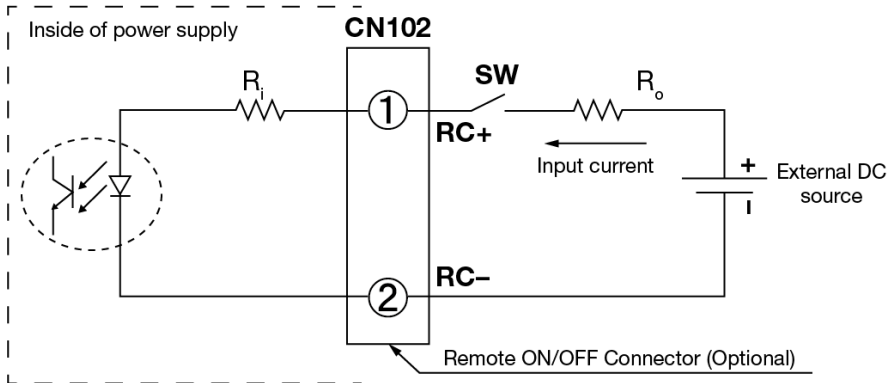
Output Load De-rating VS. Input Voltage



■ No output power de-rating for the input voltage range from 90 Vac to 264 Vac

Functional Manual

Remote ON/OFF Function



You can remotely control the power supply unit to turn ON/OFF by using an external DC source. Follow the DC power source voltage and current limiting defined in the table below.

Built-in Resistor R _i (ohm)	Voltage Between RC+ and RC- (V)		Input Current (mA)
	Output ON	Output OFF	
1k	5-12.5	0-0.5	20 Max

Notes

- Remote ON/OFF circuits are isolated from input, output and PE.
- Please check if the polarity of the wire connector is the same as the external DC source. If not, the power would not turn on and the internal components may be damaged.
- You do not need an external resistance R_o for current limit while the output voltage of external DC source is within the range of 5-12.5 V. If the output voltage exceeds 12.5 V, please use the following equation for the value of current limit resistance R_o.

$$R_o = \frac{V_{cc} - (3.5 + 0.006R_i)}{0.006}$$

PJB Open Frame Power Supply

24 V 300 W 1 Phase / PJB-24V300W□□□

Functions

Start-up Time

The time required for the output voltage to reach 90% of its final steady state set value, after the input voltage is applied.

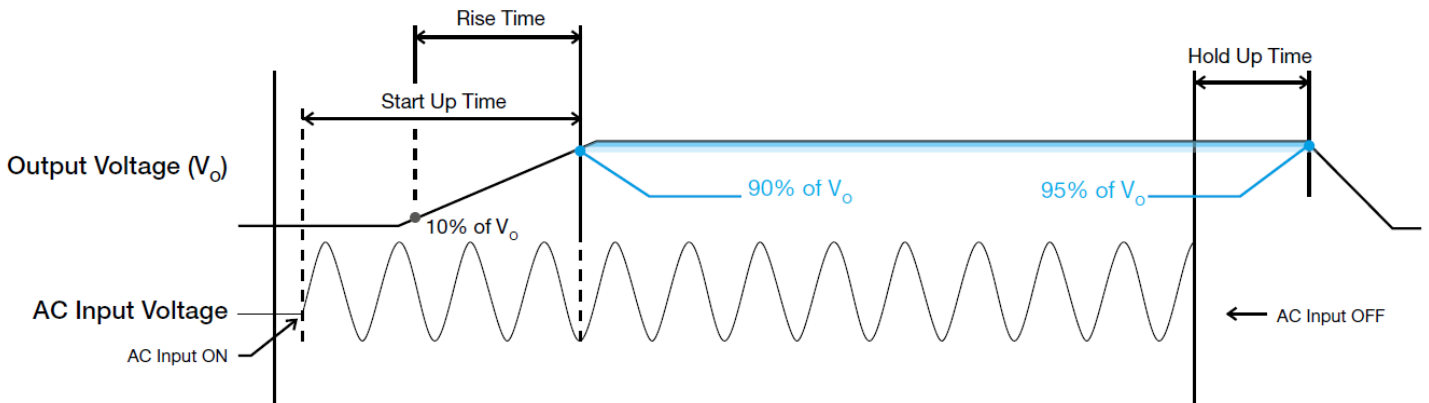
Rise Time

The time required for the output voltage to change from 10% to 90% of its final steady state set value.

Hold-up Time

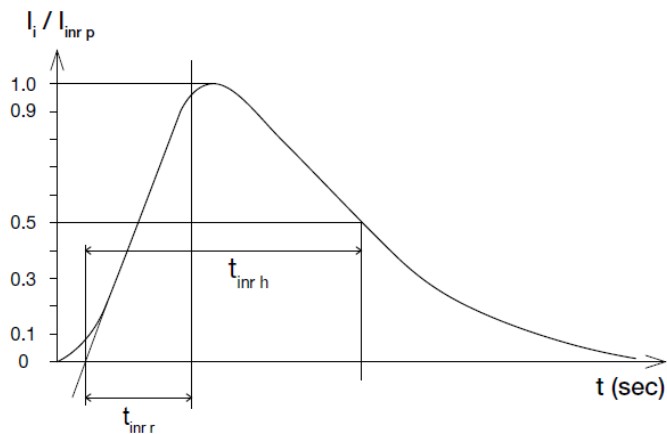
Time between the collapse of the AC input voltage, and the output falling to 95% of its steady state set value.

■ Graph illustrating the Start-up Time, Rise Time, and Hold-up Time



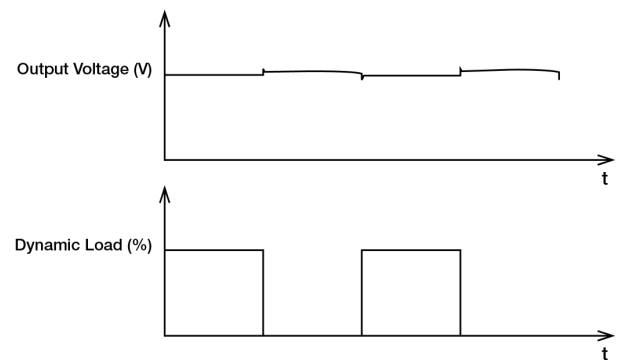
Inrush Current

Inrush current is the peak, instantaneous, input current measured and, occurs when the input voltage is first applied. For AC input voltages, the maximum peak value of inrush current will occur during the first half cycle of the applied AC voltage. This peak value decreases exponentially during subsequent cycles of AC voltage.



Dynamic Response

The power supply output voltage will remain within $\pm 5\%$ of its steady state value, when subjected to a dynamic load from 0 to 100% of its rated current.

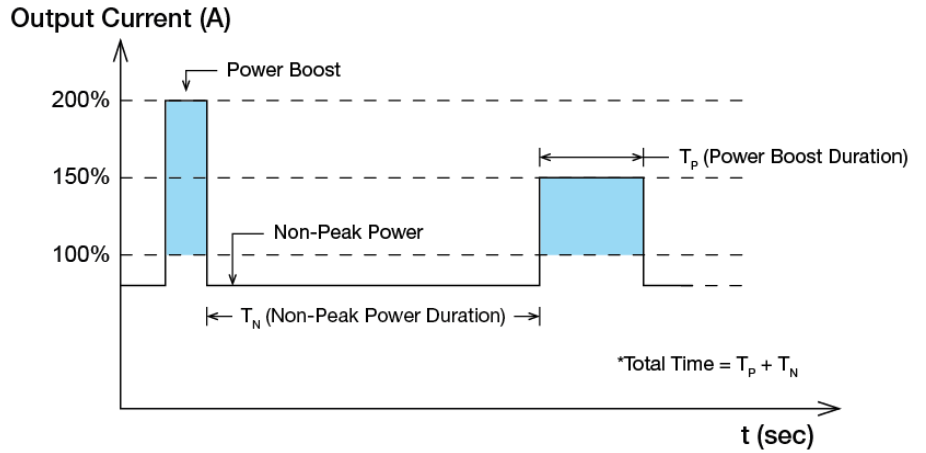


PJB Open Frame Power Supply

24 V 300 W 1 Phase / PJB-24V300W□□□

Power Boost

Power Boost is the reserve power available constantly that allows reliable startup to support sudden and short spike of loads with high inrush current typically during turn on to remove the need of more expensive higher rated power supply unit. After the output has reached its steady state set value, the power supply can support surge loads with a higher short-term power demand up to 200% of maximum rated load (I_o Max), for a maximum duration of 10 seconds. The Power Boost is also available to repeatedly basis with according to the condition of an average (R.M.S) output power shall not exceed continuous operating condition or refer to duty cycle calculation below.



$$\text{Duty cycle (\%)} = \frac{T_P}{\text{Total Time}} ; (T_P \leq 10 \text{ sec})$$

$$\text{Average Output Power } (P_{Avg}) = \frac{(\text{Power Boost} \times T_P) + (\text{Non-Peak Power} \times T_N)}{\text{Total Time}}$$

OR

$$\text{Non-Peak Power} = \frac{(P_{Avg} \times \text{Total Time}) - (\text{Power Boost} \times T_P)}{T_N}$$

■ An example of Power Boost and Average Output Power

Power Boost	Peak Power (W_P)	Power Boost Duration (T_P)	Duty Cycle	Non-Peak Power (W_N)	Non-Peak Power Duration (T_N)	Total Time (T)
200%	600 W	10 sec	15%	247.07 W	56.67 sec	66.67 sec
200%	600 W	5 sec	15%	247.07 W	28.33 sec	33.33 sec
150%	450 W	10 sec	40%	200 W	15 sec	25 sec
150%	450 W	5 sec	40%	200 W	7.5 sec	12.5 sec

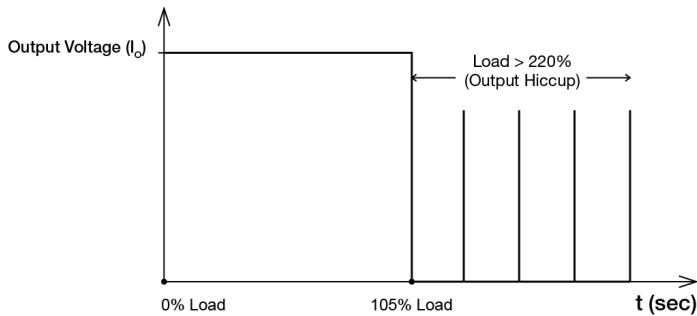
It is not recommended to prolong the duration of Power Boost to be longer than the specified duty cycle calculation, this may cause damage to the PSU.

PJB Open Frame Power Supply

24 V 300 W 1 Phase / PJB-24V300W□□□

Overload & Overcurrent Protections (Auto-Recovery)

The power supply's Overload (OLP) and Overcurrent (OCP) Protections will be activated when output current exceeds 220% of I_o (Max load). In such occurrence, the V_o (output voltage) will start to droop and once the power supply has reached its maximum power limit, the protection will be activated and the power supply will go into "Hiccup mode" (Auto-Recovery). The power supply will recover once the fault condition of the OLP and OCP is removed and I_o is back within the specifications.



It is not recommended to prolong the duration of I_o when it is <220% but >100%, since it may cause damage to the PSU.

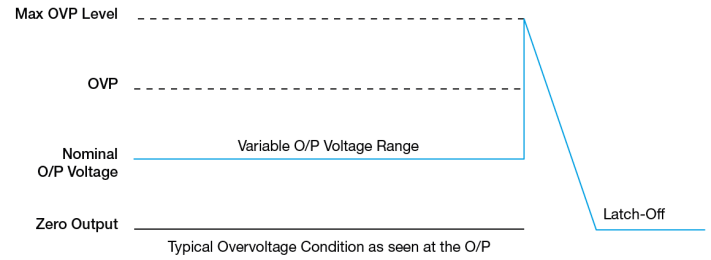
Short Circuit Protection (Auto-Recovery)

The power supply's output OLP/OCP function also provides protection against short circuits. When a short circuit is applied, the output current will operate in "Hiccup mode", as shown in the illustration in the OLP/OCP section on this page. The power supply will return to normal operation after the short circuit is removed.

Overvoltage Protection (Latch Mode)

The power supply's overvoltage circuit will be activated when its internal feedback circuit fails. The output voltage shall not exceed its specifications defined on Page 3 under "Protections". Power supply will latch off, and require removal/re-application of input AC voltage in order to restart.

The power supply should be latch.



Over Temperature Protection (Latch Mode)

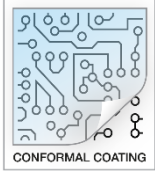
As described in load de-rating section, the power supply also has Over Temperature Protection (OTP). In the event of a higher operating temperature at 100% load; or, when the operating temperature is beyond what is recommended in the de-rating graph, the OTP circuit will be activated. When activated, power supply will latch off, until the surrounding air temperature drops to its normal operating temperature or the load is reduced as recommended in the de-rating graph. Removal/re-application of input AC voltage will then be required in order to restart.

PJB Open Frame Power Supply

24 V 300 W 1 Phase / PJB-24V300W□□□

Others

Conformal Coating

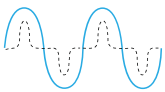


The Protective Coating Technology

Delta Electronics Group has designed the perfect dipping technique which penetrates everywhere including under device, and prevents leakage. The conformal coating dipping can be applied to PCBs or circuit board. The coating preserves the performance of precision electronic primarily by preventing ionizable contaminants such as salt from reaching circuit nodes, where the material slumps around sharp edges. This can be a problem especially in highly conversing atmosphere.

PFC – Norm EN 61000-3-2

Line Current Harmonic content



Typically, the input current waveform is not sinusoidal due to the periodical peak charging of the input capacitor. In industrial environment, complying with EN 61000-3-2 is only necessary under special conditions. Complying to this standard can have some technical drawbacks, such as lower efficiency as well as some commercial aspects such as higher purchasing costs. Frequently, the user does not profit from fulfilling this standard, therefore, it is important to know whether it is mandatory to meet this standard for a specific application.

Attention

Delta provides all information in the datasheets on an “AS IS” basis and does not offer any kind of warranty through the information for using the product. In the event of any discrepancy between the information in the catalog and datasheets, the datasheets shall prevail (please refer to www.DeltaPSU.com for the latest datasheets information). Delta shall have no liability of indemnification for any claim or action arising from any error for the provided information in the datasheets. Customer shall take its responsibility for evaluation of using the product before placing an order with Delta.

Delta reserves the right to make changes to the information described in the datasheets without notice.

Manufacturer and Authorized Representatives Information

Manufacturer

Thailand

Delta Electronics (Thailand) PCL.
909 Pattana 1 Rd., Muang, Samutprakarn, 10280 Thailand

Taiwan

Delta Electronics, Inc.
3 Tungyuan Road, Chungli Industrial Zone, Taoyuan County
32063, Taiwan

Authorized Representatives

The Netherlands

Delta Greentech (Netherlands) B.V.
Zandsteen 15, 2132 MZ Hoofddorp, The Netherlands

United Kingdom

Delta Electronics Europe Limited
1 Redwood Court, Peel Park Campus,
East Kilbride, Glasgow, G74 5PF, United Kingdom

Mouser Electronics

Authorized Distributor

Click to View Pricing, Inventory, Delivery & Lifecycle Information:

[Delta Electronics:](#)

[PJB-24V300WBNA](#)