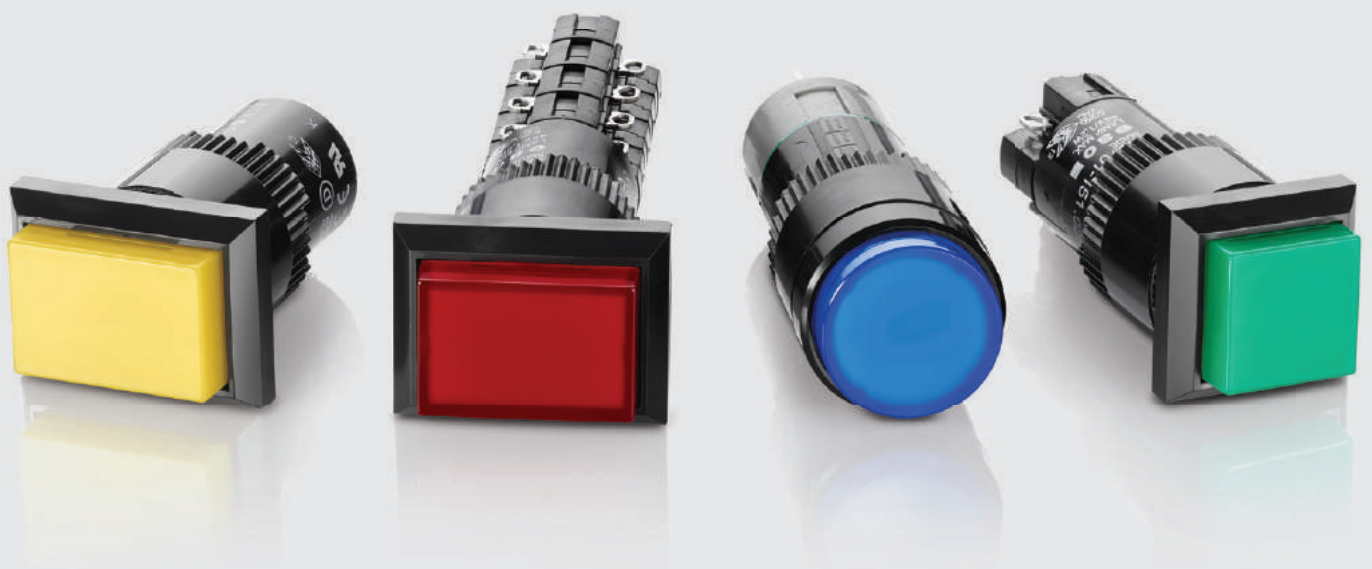


Series 01
Compact and versatile.

<https://eao.com/>



01 Information about the Series

Key advantages

- Compact 16 mm Series
- Excellent tactile feedback
- Chamfered bezel design
- Tactile snap action contacts
- Silent low signal level contact option

Typical application areas

- Machinery and Automation
- Panel building

Functions

- Pushbutton
- Illuminated pushbutton
- Indicator

Design

- Raised

IP front protection

- IP40
- IP67 (with front protective cap)

Rating

- 42 VAC (100 mA)
- 250 VAC (5 A)

Mounting cut-outs

- Ø 16.2 mm

Terminal

- Soldering terminal
- Plug-in terminal
- PCB

Lens Material

- Plastic

Markings

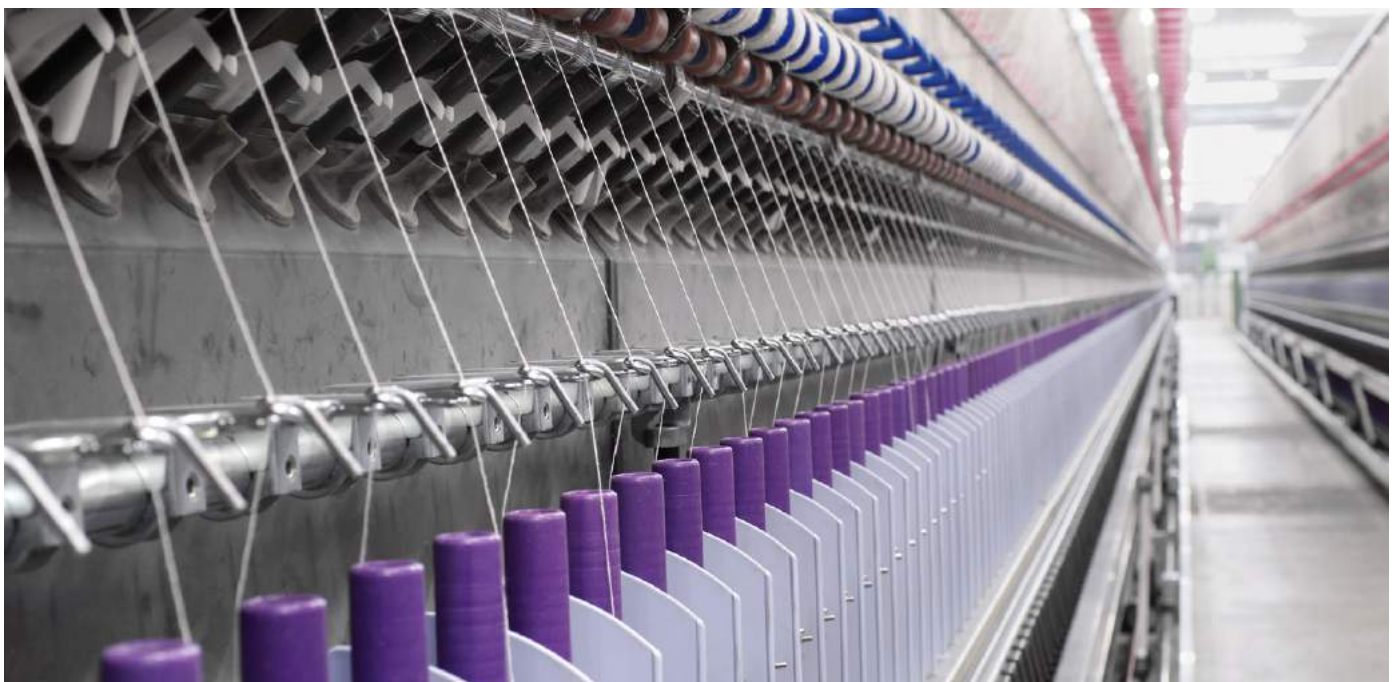
- Engraving
- Hot stamping

Approvals

- CB (IEC 61058)
- CSA
- ENEC (EN61058)
- DNV GL (previously Germanischer Lloyd)
- UL

Conformities

- CE
- 2014/35/EU (LVD)
- 2011/65/EU (RoHS)



| | |
|------------------------------------|----|
| Raised design | |
| Illuminated pushbutton square | 4 |
| Illuminated pushbutton rectangular | 7 |
| Illuminated pushbutton round | 10 |
| Indicator square | 13 |
| Indicator rectangular | 15 |
| Indicator round | 17 |
| Components | 19 |
| Accessories | 24 |
| Technical data | 30 |
| Marking | 33 |
| Application guidelines | 34 |
| Index | 36 |

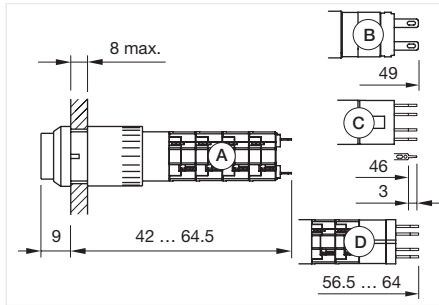
| |
|----|
| 01 |
| 02 |
| 03 |
| 04 |
| 09 |
| 14 |
| 17 |
| 18 |
| 19 |
| 22 |
| 31 |
| 41 |
| 45 |
| 51 |
| 56 |
| 57 |
| 61 |
| 70 |
| 71 |
| 82 |
| 84 |
| 92 |
| 96 |

01 Raised design

Illuminated pushbutton square, IP40



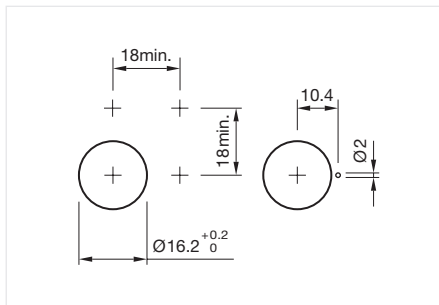
Product can differ from the current configuration.



Dimensions [mm]
 A = Solder terminal
 B = Solder terminal 2.8 mm x 0.5 mm
 C = Universal terminal 2.0 mm x 0.5 mm
 D = Universal-Solder terminal

General information

- Material of contact Gold



Mounting cut-outs [mm]

Equipment consisting of (schematic overview)



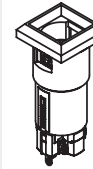
Lens

Page 19



LED

Page 22



Actuator



Fixing nut

Each Part Number listed below includes all the black components shown in the 3D-drawing.

To obtain a complete unit, please select the red components from the pages shown.

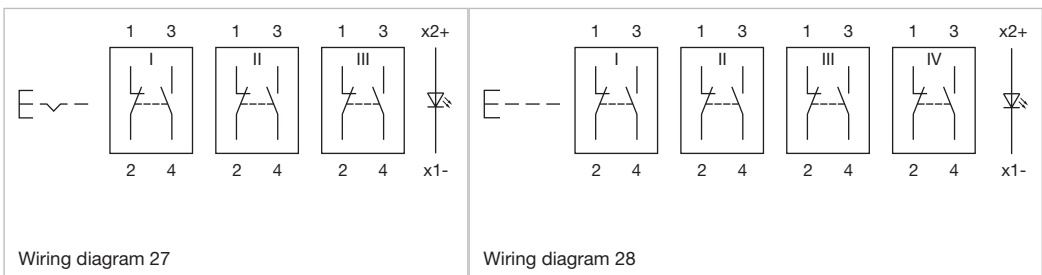
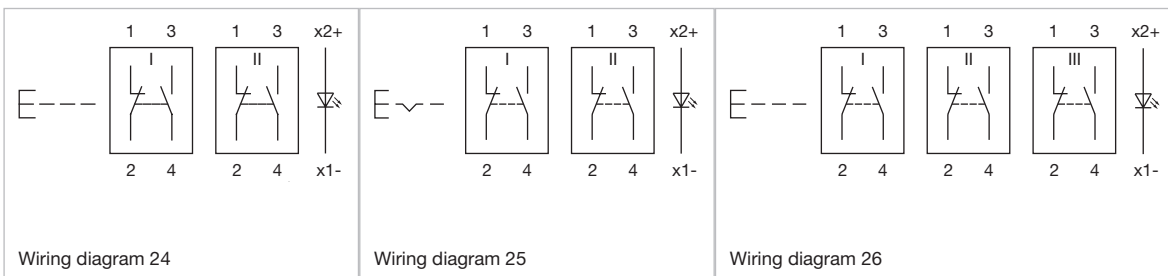
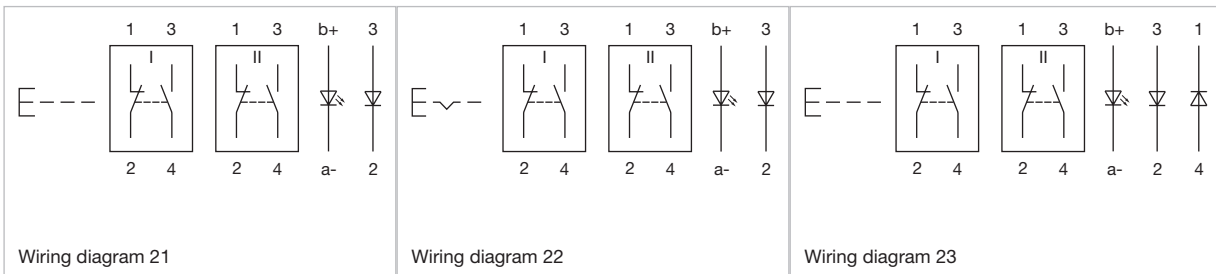
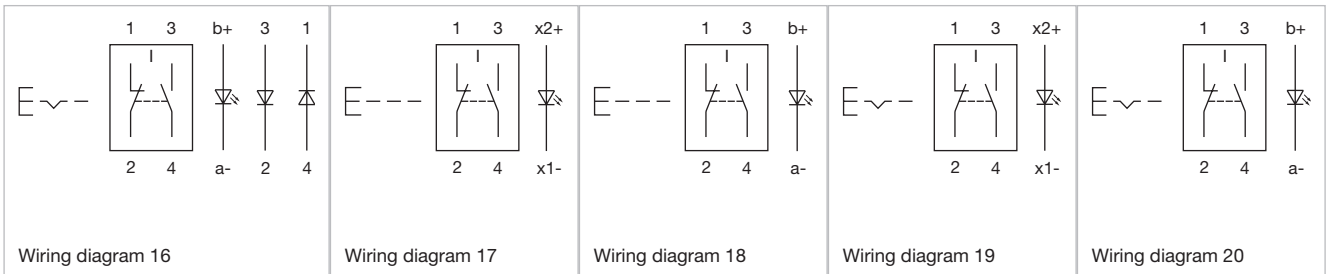
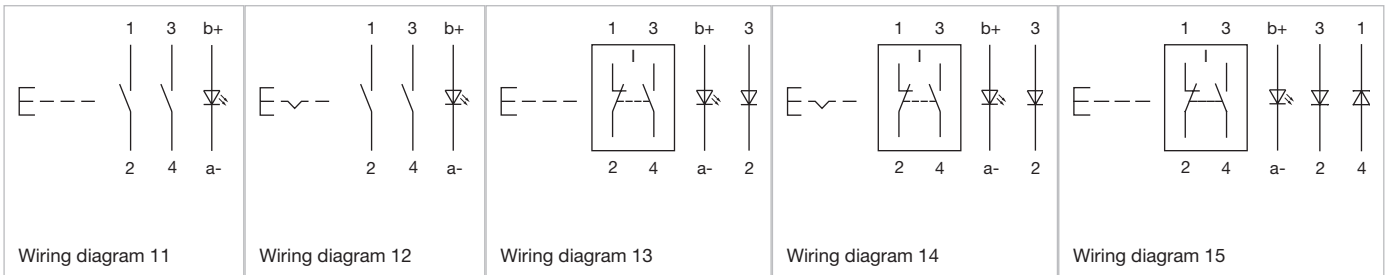
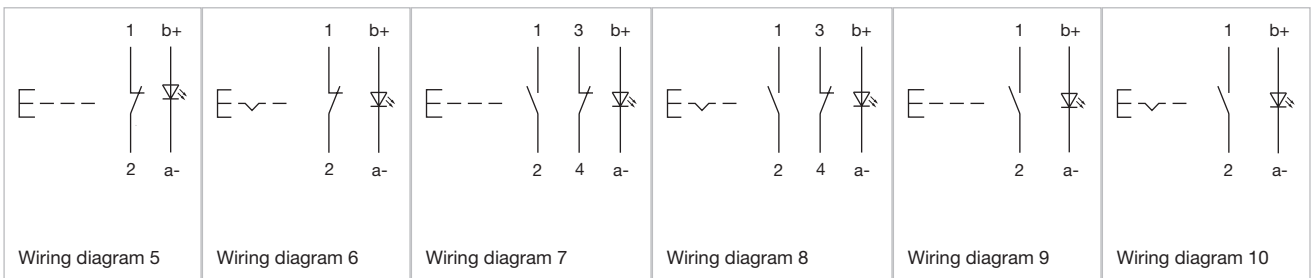


Actuator, Front dimension 18 mm x 18 mm

| Switching action | Contacts | Terminal | Switching system | Diode 1N4007 | Part No. | Wiring diagram | Component Layout |
|------------------|-------------|------------------------------|-------------------------------|--------------|-------------|----------------|------------------|
| Momentary | 1 NC / 1 NO | Soldering terminal | Snap-action switching element | | 01-151.022 | 18 | |
| | 1 NC / 1 NO | Soldering terminal | Snap-action switching element | | 01-151.0252 | 17 | |
| | 2 NC / 2 NO | Soldering terminal | Snap-action switching element | | 01-152.0252 | 24 | |
| | 3 NC / 3 NO | Soldering terminal | Snap-action switching element | | 01-153.0252 | 26 | |
| | 4 NC / 4 NO | Soldering terminal | Snap-action switching element | | 01-154.0252 | 28 | |
| Maintained | 1 NC / 1 NO | Soldering terminal | Snap-action switching element | | 01-281.022 | 20 | |
| | 1 NC / 1 NO | Soldering terminal | Snap-action switching element | | 01-281.0252 | 19 | |
| | 2 NC / 2 NO | Soldering terminal | Snap-action switching element | | 01-282.0252 | 25 | |
| | 3 NC / 3 NO | Soldering terminal | Snap-action switching element | | 01-283.0252 | 27 | |
| | 4 NC / 4 NO | Soldering terminal | Snap-action switching element | | 01-284.0252 | 29 | |
| Momentary | 2 NO | Universal terminal | Low-level element | | 01-451.036 | 11 | 1 |
| | 1 NC / 1 NO | Universal terminal | Low-level element | | 01-453.036 | 7 | 1 |
| | 1 NO | Universal terminal | Low-level element | | 01-455.036 | 9 | 1 |
| | 1 NC | Universal terminal | Low-level element | | 01-456.036 | 5 | 1 |
| Maintained | 2 NO | Universal terminal | Low-level element | | 01-481.036 | 12 | 1 |
| | 1 NC / 1 NO | Universal terminal | Low-level element | | 01-483.036 | 8 | 1 |
| | 1 NO | Universal terminal | Low-level element | | 01-485.036 | 10 | 1 |
| | 1 NC | Universal terminal | Low-level element | | 01-486.036 | 6 | 1 |
| Momentary | 1 NC / 1 NO | Universal soldering terminal | Snap-action switching element | 1 | 01-709.0292 | 13 | 1 |
| | 1 NC / 1 NO | Universal soldering terminal | Snap-action switching element | 2 | 01-710.0292 | 15 | 1 |
| | 2 NC / 2 NO | Universal soldering terminal | Snap-action switching element | 1 | 01-711.0292 | 21 | 1 |
| | 2 NC / 2 NO | Universal soldering terminal | Snap-action switching element | 2 | 01-712.0292 | 23 | 1 |
| Maintained | 1 NC / 1 NO | Universal soldering terminal | Snap-action switching element | 1 | 01-717.0292 | 14 | 1 |
| | 1 NC / 1 NO | Universal soldering terminal | Snap-action switching element | 2 | 01-718.0292 | 16 | 1 |
| | 2 NC / 2 NO | Universal soldering terminal | Snap-action switching element | 1 | 01-719.0292 | 22 | 1 |

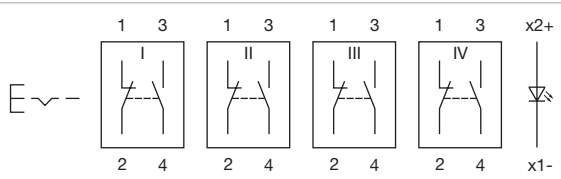
Contacts: NC = Normally closed, NO = Normally open

Wiring diagrams



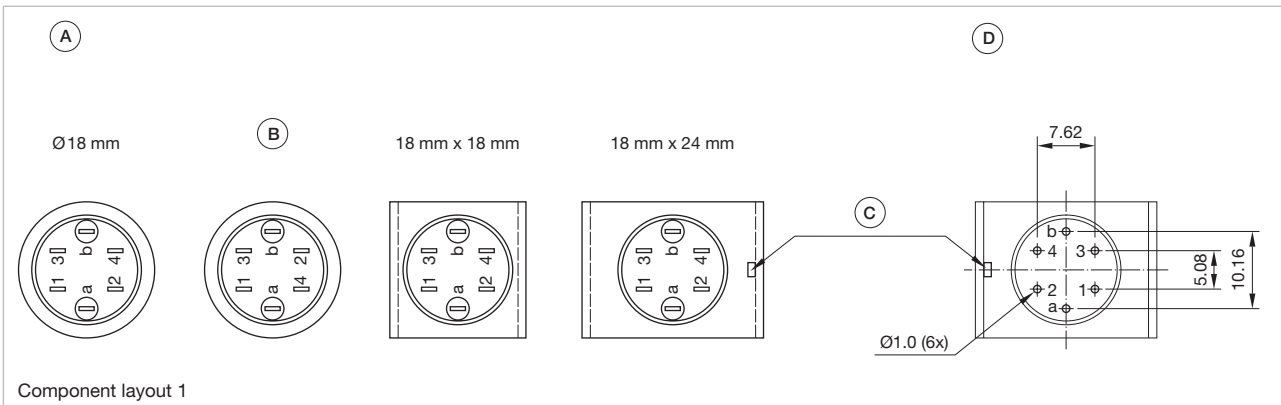
01 Raised design

Wiring diagrams



Wiring diagram 29

Component layouts



Component layout 1

Dimensions [mm]

A = Terminals (rear side)

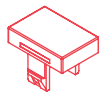
B = Diode block

C = Anti twist device only 18 mm x 24 mm

D = Drilling plan (component side)

Illuminated pushbutton rectangular, IP40

Equipment consisting of (schematic overview)



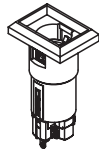
Lens

Page 20



LED

Page 22



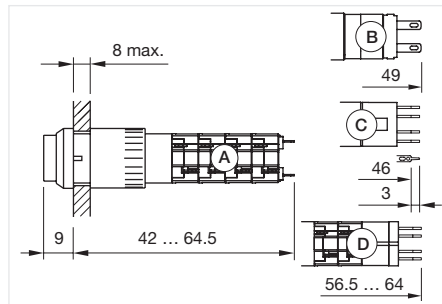
Actuator



Fixing nut

Each Part Number listed below includes all the black components shown in the 3D-drawing.

To obtain a complete unit, please select the red components from the pages shown.



Dimensions [mm]

A = Solder terminal

B = Solder terminal 2.8 mm x 0.5 mm

C = Universal terminal 2.0 mm x 0.5 mm

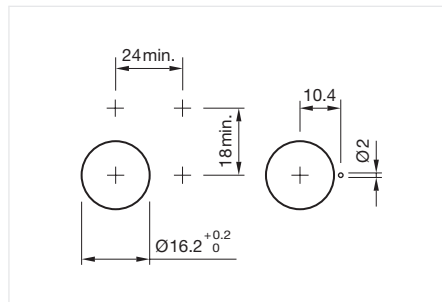
D = Universal-Solder terminal



Product can differ from the current configuration.

General information

- Material of contact Gold



Mounting cut-outs [mm]



Actuator, Front dimension 24 mm x 18 mm

| Switching action | Contacts | Terminal | Switching system | Diode 1N4007 | Part No. | Wiring diagram | Component Layout |
|------------------|-------------|------------------------------|-------------------------------|--------------|-------------|----------------|------------------|
| Momentary | 1 NC / 1 NO | Soldering terminal | Snap-action switching element | | 01-121.022 | 18 | |
| | 1 NC / 1 NO | Soldering terminal | Snap-action switching element | | 01-121.0252 | 17 | |
| | 2 NC / 2 NO | Soldering terminal | Snap-action switching element | | 01-122.0252 | 24 | |
| | 3 NC / 3 NO | Soldering terminal | Snap-action switching element | | 01-123.0252 | 26 | |
| | 4 NC / 4 NO | Soldering terminal | Snap-action switching element | | 01-124.0252 | 28 | |
| Maintained | 1 NC / 1 NO | Soldering terminal | Snap-action switching element | | 01-261.022 | 20 | |
| | 1 NC / 1 NO | Soldering terminal | Snap-action switching element | | 01-261.0252 | 19 | |
| | 2 NC / 2 NO | Soldering terminal | Snap-action switching element | | 01-262.0252 | 25 | |
| | 3 NC / 3 NO | Soldering terminal | Snap-action switching element | | 01-263.0252 | 27 | |
| | 4 NC / 4 NO | Soldering terminal | Snap-action switching element | | 01-264.0252 | 29 | |
| Momentary | 2 NO | Universal terminal | Low-level element | | 01-421.036 | 11 | 1 |
| | 2 NC | Universal terminal | Low-level element | | 01-422.036 | 30 | 1 |
| | 1 NC / 1 NO | Universal terminal | Low-level element | | 01-423.036 | 7 | 1 |
| | 1 NO | Universal terminal | Low-level element | | 01-425.036 | 9 | 1 |
| Maintained | 2 NO | Universal terminal | Low-level element | | 01-461.036 | 12 | 1 |
| | 2 NC | Universal terminal | Low-level element | | 01-462.036 | 31 | 1 |
| | 1 NC / 1 NO | Universal terminal | Low-level element | | 01-463.036 | 8 | 1 |
| | 1 NO | Universal terminal | Low-level element | | 01-465.036 | 10 | 1 |
| Momentary | 1 NC / 1 NO | Universal soldering terminal | Snap-action switching element | 1 | 01-705.0292 | 13 | 1 |
| | 1 NC / 1 NO | Universal soldering terminal | Snap-action switching element | 2 | 01-706.0292 | 15 | 1 |
| | 2 NC / 2 NO | Universal soldering terminal | Snap-action switching element | 1 | 01-707.0292 | 21 | 1 |
| | 2 NC / 2 NO | Universal soldering terminal | Snap-action switching element | 2 | 01-708.0292 | 23 | 1 |
| Maintained | 1 NC / 1 NO | Universal soldering terminal | Snap-action switching element | 1 | 01-713.0292 | 14 | 1 |
| | 1 NC / 1 NO | Universal soldering terminal | Snap-action switching element | 2 | 01-714.0292 | 16 | 1 |
| | 2 NC / 2 NO | Universal soldering terminal | Snap-action switching element | 1 | 01-715.0292 | 22 | 1 |

Contacts: NC = Normally closed, NO = Normally open

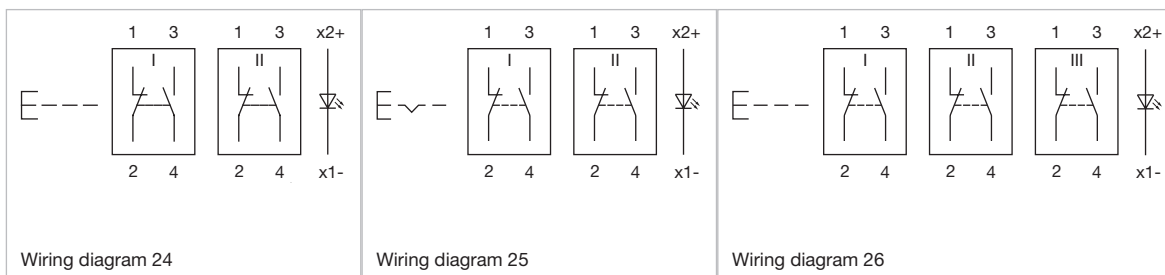
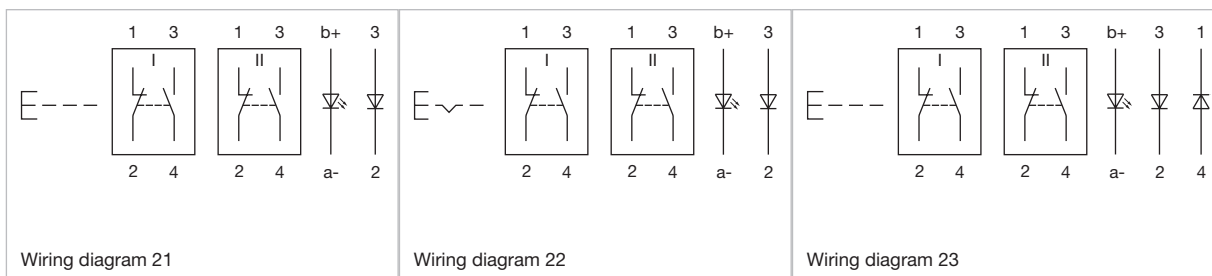
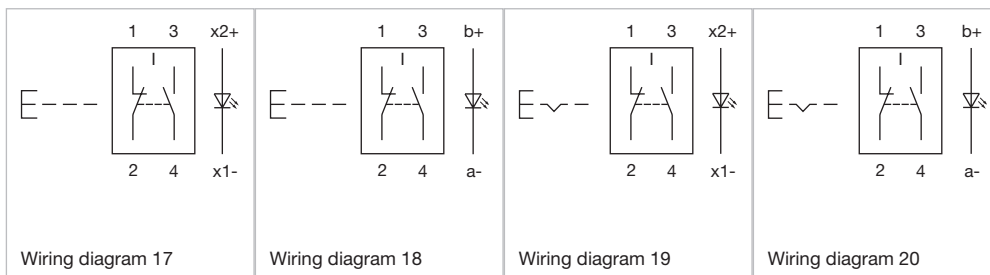
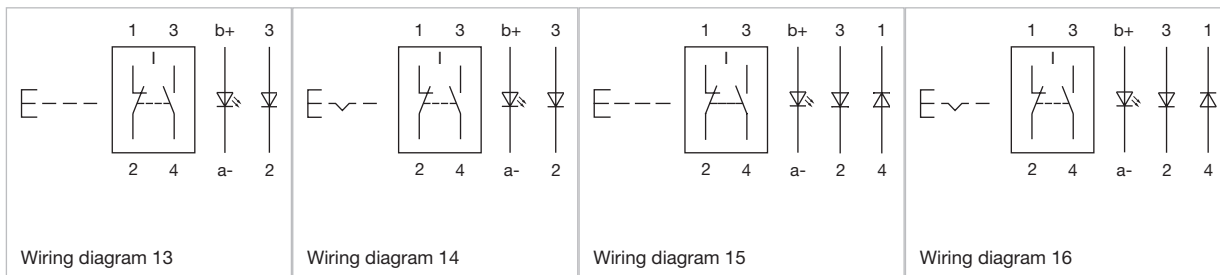
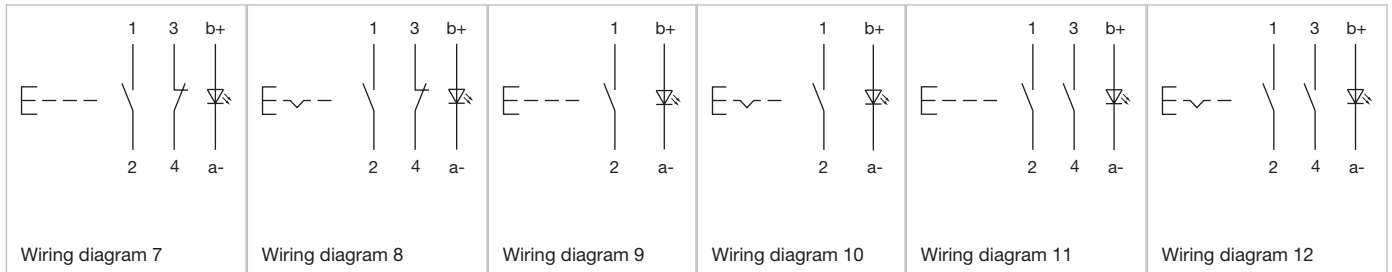
01
02
03
04
09
14
17
18
19
22
31
41
45
51
56
57
61
70
71
82
84
92
96

01 Raised design

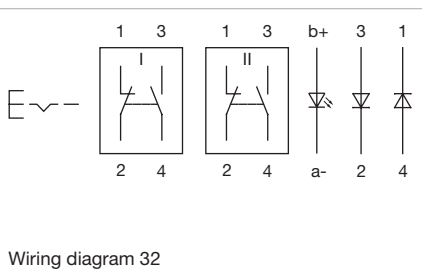
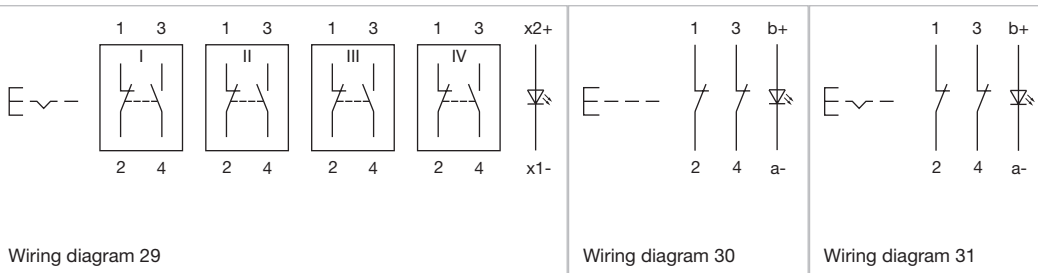
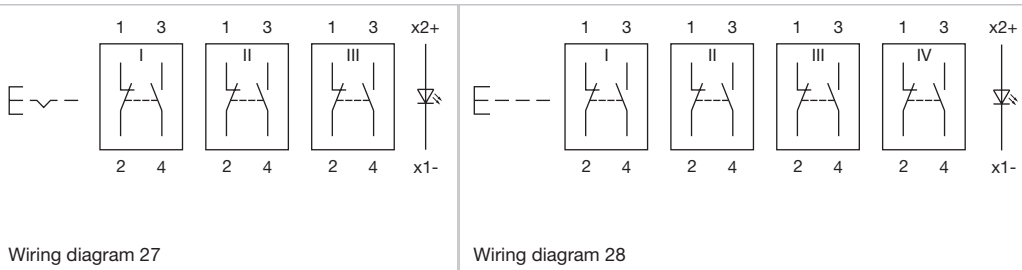
| Switching action | Contacts | Terminal | Switching system | Diode 1N4007 | Part No. | Wiring diagram | Component Layout |
|------------------|-------------|------------------------------|-------------------------------|--------------|-------------|----------------|------------------|
| Maintained | 2 NC / 2 NO | Universal soldering terminal | Snap-action switching element | 2 | 01-716.0292 | 32 | 1 |

Contacts: NC = Normally closed, NO = Normally open

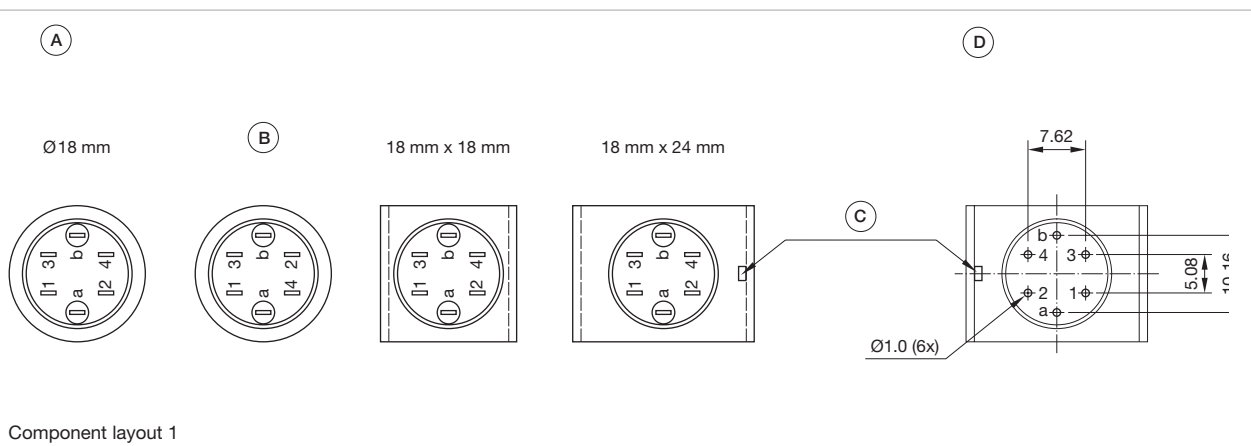
Wiring diagrams



Wiring diagrams



Component layouts



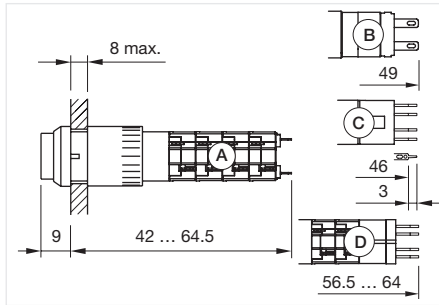
Dimensions [mm]
 A = Terminals (rear side)
 B = Diode block
 C = Anti twist device only 18 mm x 24 mm
 D = Drilling plan (component side)

01 Raised design

Illuminated pushbutton round, IP40



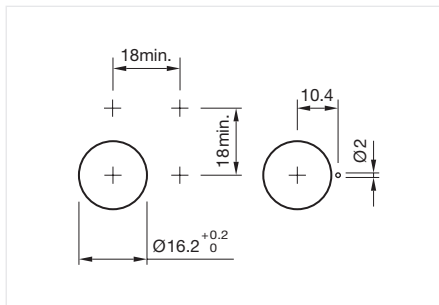
Product can differ from the current configuration.



Dimensions [mm]
 A = Solder terminal
 B = Solder terminal 2.8 mm x 0.5 mm
 C = Universal terminal 2.0 mm x 0.5 mm
 D = Universal-Solder terminal

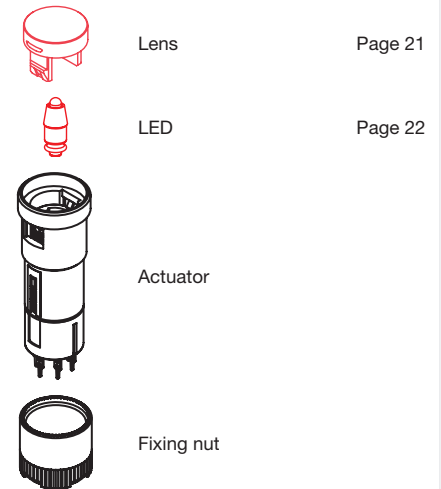
General information

- Material of contact Gold



Mounting cut-outs [mm]

Equipment consisting of (schematic overview)



Each Part Number listed below includes all the black components shown in the 3D-drawing.
 To obtain a complete unit, please select the red components from the pages shown.

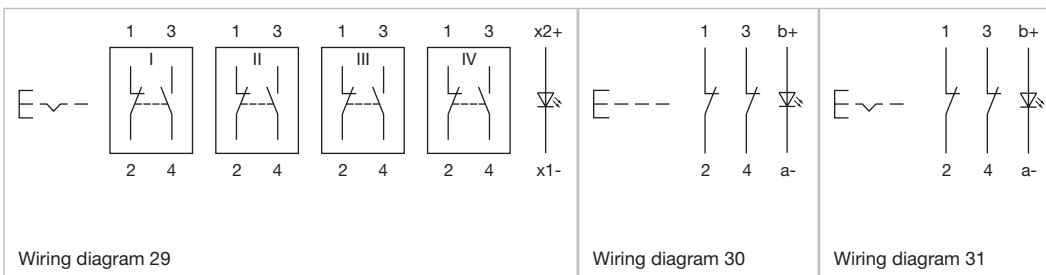
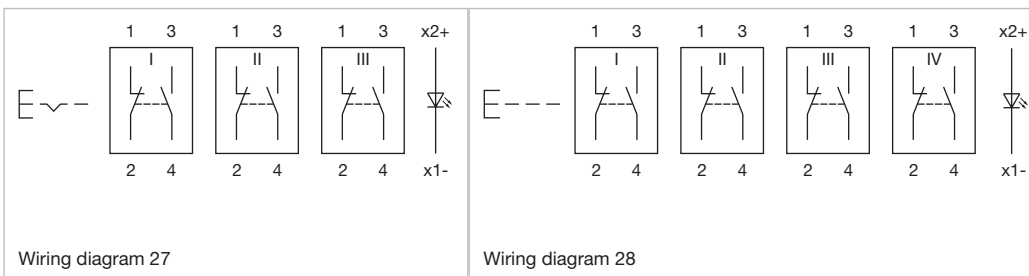
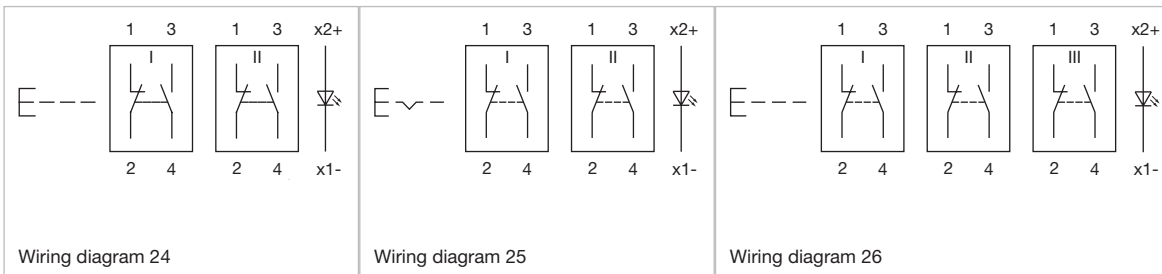
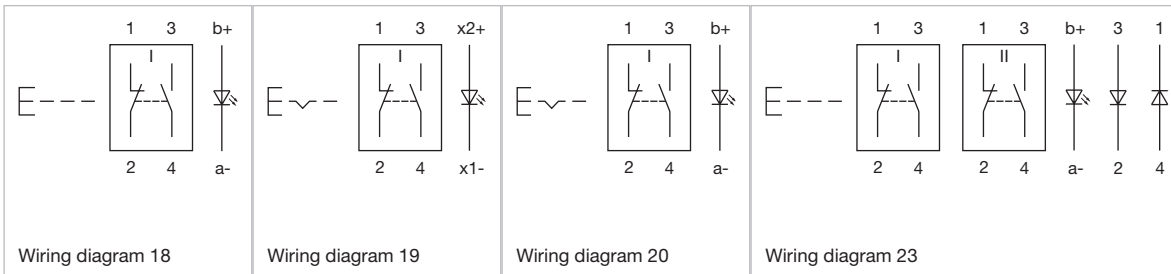
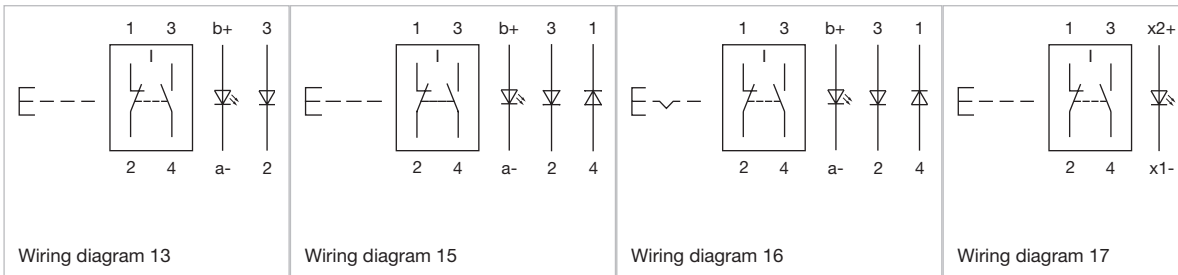
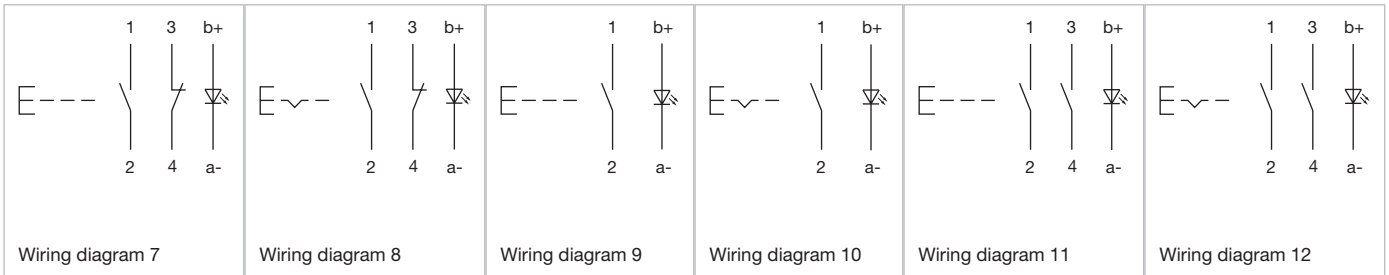


Actuator, Front dimension Ø 18 mm

| Switching action | Contacts | Terminal | Switching system | Diode 1N4007 | Part No. | Wiring diagram | Component Layout |
|------------------|-------------|------------------------------|-------------------------------|--------------|-------------|----------------|------------------|
| Momentary | 1 NC / 1 NO | Soldering terminal | Snap-action switching element | | 01-131.022 | 18 | |
| | 1 NC / 1 NO | Soldering terminal | Snap-action switching element | | 01-131.0252 | 17 | |
| | 2 NC / 2 NO | Soldering terminal | Snap-action switching element | | 01-132.0252 | 24 | |
| | 3 NC / 3 NO | Soldering terminal | Snap-action switching element | | 01-133.0252 | 26 | |
| | 4 NC / 4 NO | Soldering terminal | Snap-action switching element | | 01-134.0252 | 28 | |
| Maintained | 1 NC / 1 NO | Soldering terminal | Snap-action switching element | | 01-271.022 | 20 | |
| | 1 NC / 1 NO | Soldering terminal | Snap-action switching element | | 01-271.0252 | 19 | |
| | 2 NC / 2 NO | Soldering terminal | Snap-action switching element | | 01-272.0252 | 25 | |
| | 3 NC / 3 NO | Soldering terminal | Snap-action switching element | | 01-273.0252 | 27 | |
| | 4 NC / 4 NO | Soldering terminal | Snap-action switching element | | 01-274.0252 | 29 | |
| Momentary | 2 NO | Universal terminal | Low-level element | | 01-431.036 | 11 | 1 |
| | 2 NC | Universal terminal | Low-level element | | 01-432.036 | 30 | 1 |
| | 1 NC / 1 NO | Universal terminal | Low-level element | | 01-433.036 | 7 | 1 |
| | 1 NO | Universal terminal | Low-level element | | 01-435.036 | 9 | 1 |
| Maintained | 2 NO | Universal terminal | Low-level element | | 01-471.036 | 12 | 1 |
| | 2 NC | Universal terminal | Low-level element | | 01-472.036 | 31 | 1 |
| | 1 NC / 1 NO | Universal terminal | Low-level element | | 01-473.036 | 8 | 1 |
| | 1 NO | Universal terminal | Low-level element | | 01-475.036 | 10 | 1 |
| Momentary | 1 NC / 1 NO | Universal soldering terminal | Snap-action switching element | 1 | 01-743.0292 | 13 | 1 |
| | 1 NC / 1 NO | Universal soldering terminal | Snap-action switching element | 2 | 01-744.0292 | 15 | 1 |
| | 2 NC / 2 NO | Universal soldering terminal | Snap-action switching element | 2 | 01-746.0292 | 23 | 1 |
| Maintained | 1 NC / 1 NO | Universal soldering terminal | Snap-action switching element | 2 | 01-748.0292 | 16 | 1 |
| | 2 NC / 2 NO | Universal soldering terminal | Snap-action switching element | 2 | 01-750.0292 | 32 | 1 |

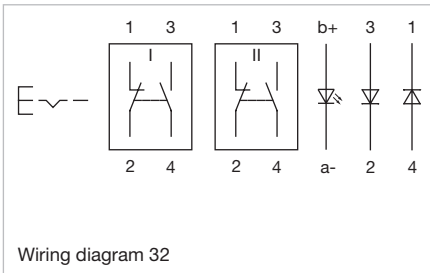
Contacts: NC = Normally closed, NO = Normally open

Wiring diagrams

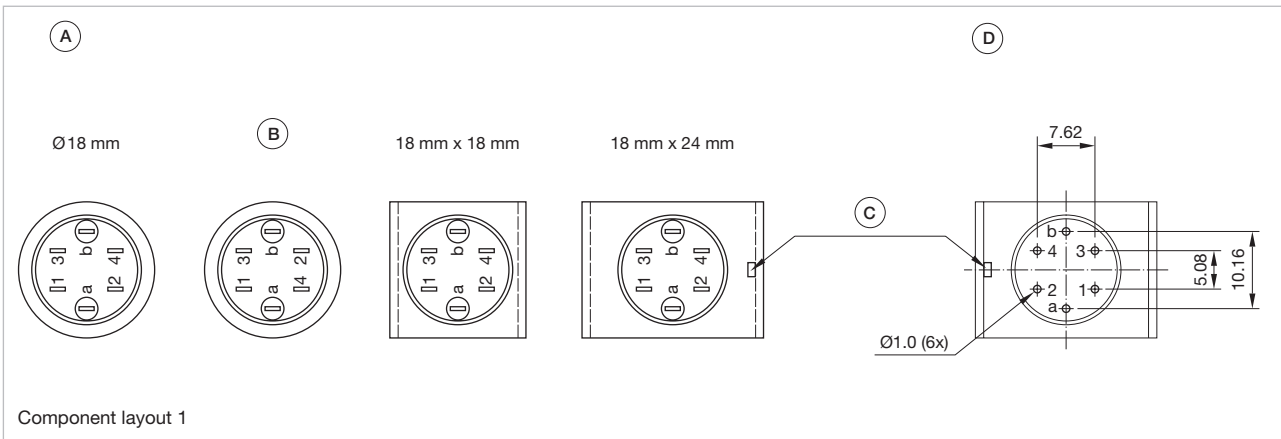


01 Raised design

Wiring diagrams



Component layouts



- Dimensions [mm]
 A = Terminals (rear side)
 B = Diode block
 C = Anti twist device only 18 mm x 24 mm
 D = Drilling plan (component side)

Indicator square, IP40

Equipment consisting of (schematic overview)



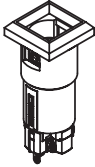
Lens

Page 19



LED

Page 22



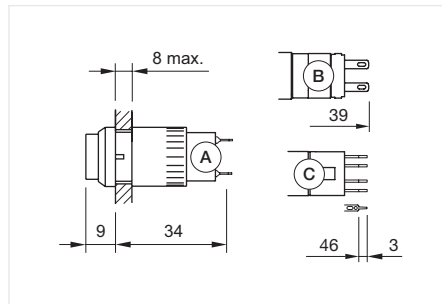
Actuator



Fixing nut

Each Part Number listed below includes all the black components shown in the 3D-drawing.

To obtain a complete unit, please select the red components from the pages shown.



Dimensions [mm]

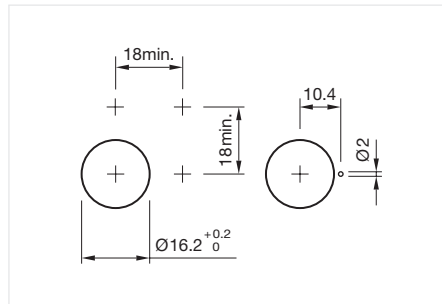
A = Solder terminal

B = Solder terminal 2.8 mm x 0.5 mm

C = Universal terminal 2.0 mm x 0.5 mm



Product can differ from the current configuration.



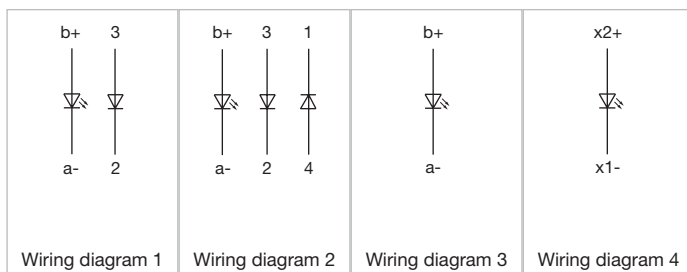
Mounting cut-outs [mm]



Actuator, Front dimension 18 mm x 18 mm

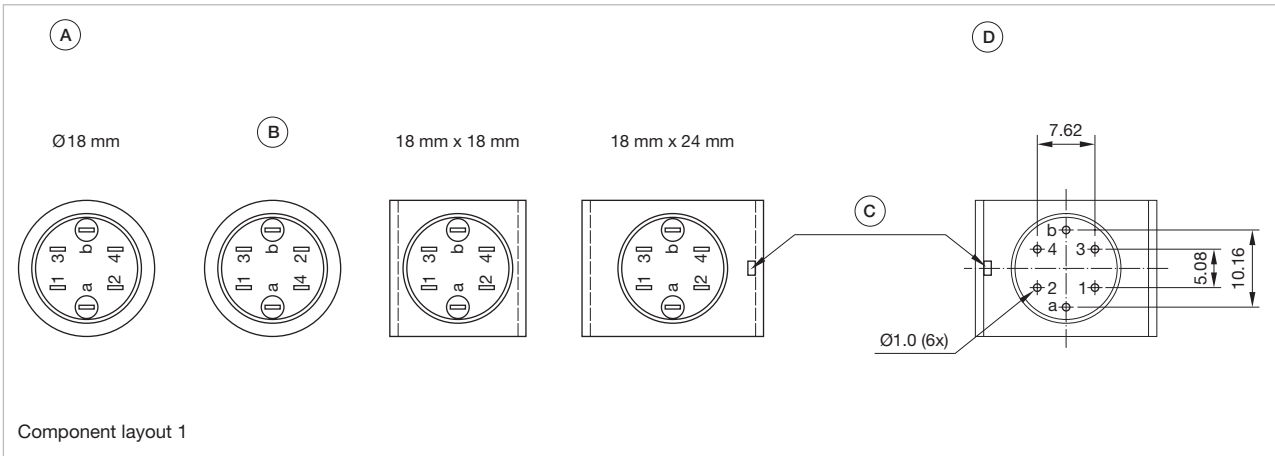
| Terminal | Diode 1N4007 | Part No. | Wiring diagram | Component Layout |
|--------------------|--------------|------------|----------------|------------------|
| Soldering terminal | | 01-050.002 | 3 | |
| | | 01-050.005 | 4 | |
| Universal terminal | | 01-051.006 | 3 | 1 |
| | 1 | 01-703.006 | 1 | 1 |
| | 2 | 01-704.006 | 2 | 1 |

Wiring diagrams



01 Raised design

Component layouts



Dimensions [mm]

A = Terminals (rear side)

B = Diode block

C = Anti twist device only 18 mm x 24 mm

D = Drilling plan (component side)

Follow us.
We are on LinkedIn!
EAO creates possibilities. Since 1947.



Come take a look at our LinkedIn profile today! Be sure to give us a follow so that you can fully interact with us.

<https://www.linkedin.com/company/eao/>

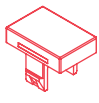
www.eao.com

eao ■

Your Expert Partner for Human Machine Interfaces

Indicator rectangular, IP40

Equipment consisting of (schematic overview)



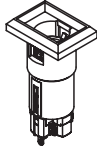
Lens

Page 20



LED

Page 22



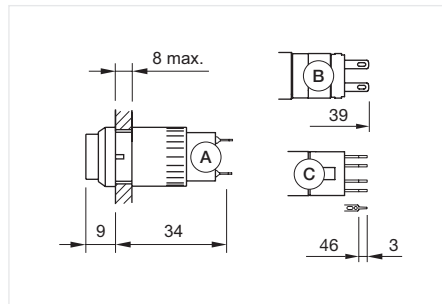
Actuator



Fixing nut

Each Part Number listed below includes all the black components shown in the 3D-drawing.

To obtain a complete unit, please select the red components from the pages shown.



Dimensions [mm]

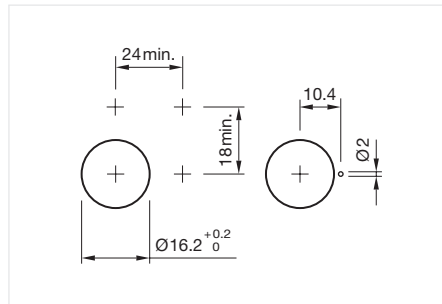
A = Solder terminal

B = Solder terminal 2.8 mm x 0.5 mm

C = Universal terminal 2.0 mm x 0.5 mm



Product can differ from the current configuration.



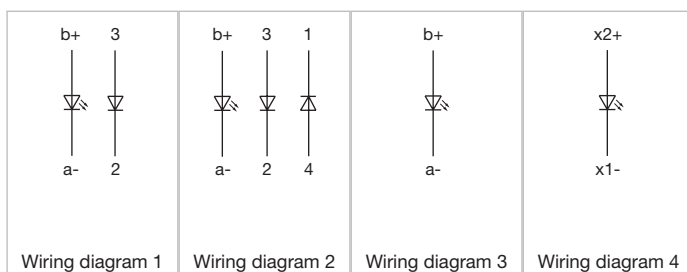
Mounting cut-outs [mm]



Actuator, Front dimension 24 mm x 18 mm

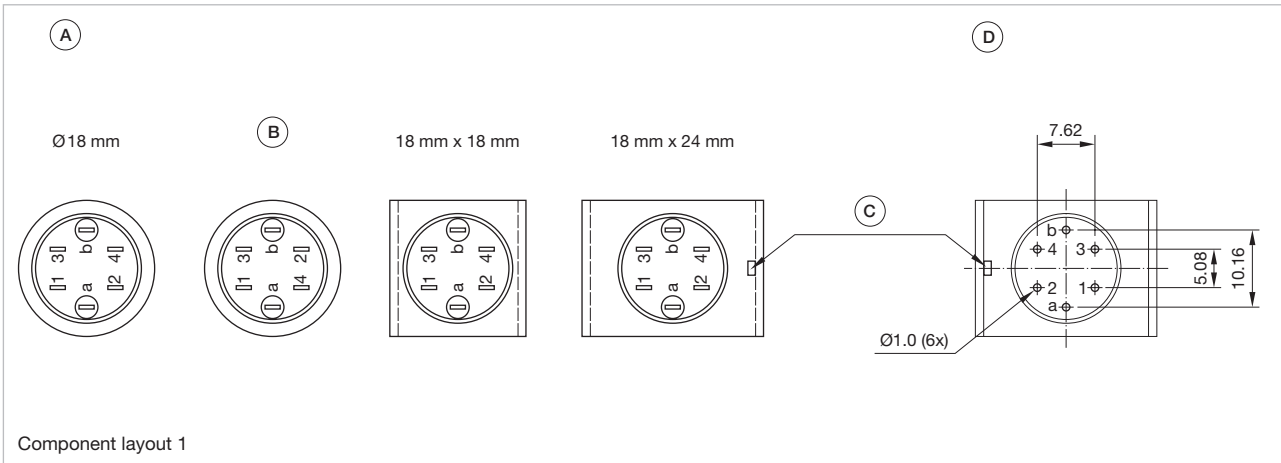
| Terminal | Diode 1N4007 | Part No. | Wiring diagram | Component Layout |
|--------------------|--------------|------------|----------------|------------------|
| Soldering terminal | | 01-040.002 | 3 | |
| | | 01-040.005 | 4 | |
| Universal terminal | | 01-041.006 | 3 | 1 |
| | 1 | 01-701.006 | 1 | 1 |
| | 2 | 01-702.006 | 2 | 1 |

Wiring diagrams



01 Raised design

Component layouts



Dimensions [mm]

A = Terminals (rear side)

B = Diode block

C = Anti twist device only 18 mm x 24 mm

D = Drilling plan (component side)

Indicator round, IP40

Equipment consisting of (schematic overview)



Lens

Page 21



LED

Page 22



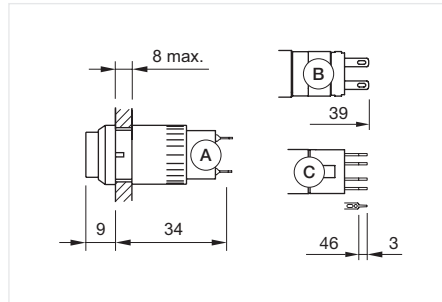
Actuator



Fixing nut

Each Part Number listed below includes all the black components shown in the 3D-drawing.

To obtain a complete unit, please select the red components from the pages shown.



Dimensions [mm]

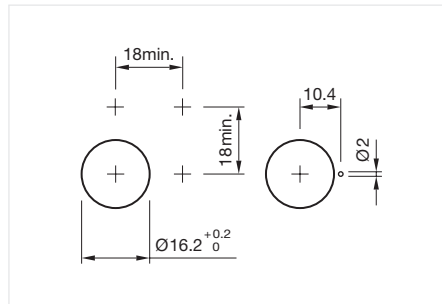
A = Solder terminal

B = Solder terminal 2.8 mm x 0.5 mm

C = Universal terminal 2.0 mm x 0.5 mm



Product can differ from the current configuration.



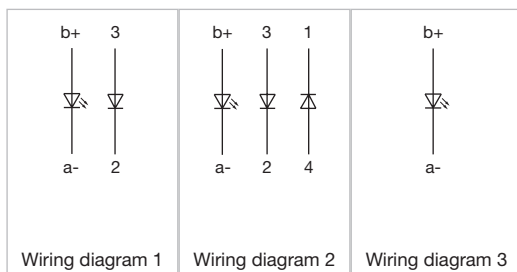
Mounting cut-outs [mm]



Actuator, Front dimension Ø 18 mm

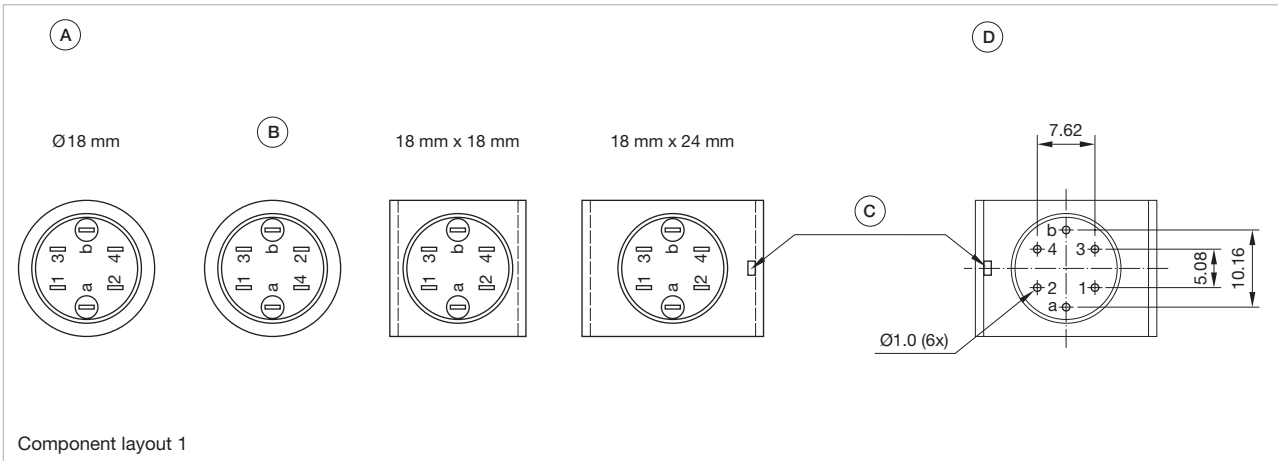
| Terminal | Diode 1N4007 | Part No. | Wiring diagram | Component Layout |
|--------------------|--------------|------------|----------------|------------------|
| Soldering terminal | | 01-030.002 | 3 | 1 |
| | | 01-030.005 | 3 | |
| Universal terminal | | 01-031.006 | 3 | 1 |
| | 1 | 01-741.006 | 1 | 1 |
| | 2 | 01-742.006 | 2 | 1 |

Wiring diagrams



01 Raised design

Component layouts



Dimensions [mm]

A = Terminals (rear side)

B = Diode block

C = Anti twist device only 18 mm x 24 mm

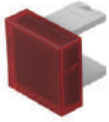
D = Drilling plan (component side)



EAO Downloads.
www.eao.com/downloads
EAO creates possibilities. Since 1947.



[On our website you can download technical data, assembly instructions, catalogs, brochures and much more.](http://www.eao.com/downloads)



Lens square, raised design

| Product attributes | Lens material | Lens colour | Lens optics | Lens shape | Lens illumination | Dimensions | Part No. |
|---------------------------------|---------------|-------------|-------------|------------|-------------------|-------------------|----------|
| | Plastic | Red | transparent | flush | illuminative | 12.8 mm x 12.8 mm | 01-985.2 |
| | Plastic | Orange | transparent | flush | illuminative | 12.8 mm x 12.8 mm | 01-985.3 |
| | Plastic | Yellow | transparent | flush | illuminative | 12.8 mm x 12.8 mm | 01-985.4 |
| | Plastic | Green | transparent | flush | illuminative | 12.8 mm x 12.8 mm | 01-985.5 |
| | Plastic | Blue | transparent | flush | illuminative | 12.8 mm x 12.8 mm | 01-985.6 |
| | Plastic | Colourless | transparent | flush | illuminative | 12.8 mm x 12.8 mm | 01-985.7 |
| Not recommended for film insert | Plastic | Red | translucent | flush | illuminative | 12.8 mm x 12.8 mm | 01-951.2 |
| | Plastic | Yellow | translucent | flush | illuminative | 12.8 mm x 12.8 mm | 01-951.4 |
| | Plastic | Blue | translucent | flush | illuminative | 12.8 mm x 12.8 mm | 01-951.6 |
| | Plastic | White | translucent | flush | illuminative | 12.8 mm x 12.8 mm | 01-951.9 |
| | Plastic | Red | transparent | flush | illuminative | 12.8 mm x 12.8 mm | 01-975.2 |
| | Plastic | Yellow | transparent | flush | illuminative | 12.8 mm x 12.8 mm | 01-975.4 |
| | Plastic | Green | transparent | flush | illuminative | 12.8 mm x 12.8 mm | 01-975.5 |
| | Plastic | Colourless | transparent | flush | illuminative | 12.8 mm x 12.8 mm | 01-975.7 |
| | Plastic | Black | opaque | flush | non illuminative | 12.8 mm x 12.8 mm | 01-951.0 |
| | Plastic | Grey | opaque | flush | non illuminative | 12.8 mm x 12.8 mm | 01-951.8 |

Additional information

- Not recommended for film insert

01 Components



Lens rectangular, raised design

| Product attributes | Lens material | Lens colour | Lens optics | Lens shape | Lens illumination | Dimensions | Part No. |
|---------------------------------|---------------|-------------|-------------|------------|-------------------|-------------------|----------|
| | Plastic | Red | transparent | flush | illuminative | 12.8 mm x 18.8 mm | 01-982.2 |
| | Plastic | Orange | transparent | flush | illuminative | 12.8 mm x 18.8 mm | 01-982.3 |
| | Plastic | Yellow | transparent | flush | illuminative | 12.8 mm x 18.8 mm | 01-982.4 |
| | Plastic | Green | transparent | flush | illuminative | 12.8 mm x 18.8 mm | 01-982.5 |
| | Plastic | Blue | transparent | flush | illuminative | 12.8 mm x 18.8 mm | 01-982.6 |
| | Plastic | Colourless | transparent | flush | illuminative | 12.8 mm x 18.8 mm | 01-982.7 |
| Not recommended for film insert | Plastic | Red | translucent | flush | illuminative | 12.8 mm x 18.8 mm | 01-901.2 |
| | Plastic | Orange | translucent | flush | illuminative | 12.8 mm x 18.8 mm | 01-901.3 |
| | Plastic | Yellow | translucent | flush | illuminative | 12.8 mm x 18.8 mm | 01-901.4 |
| | Plastic | Blue | translucent | flush | illuminative | 12.8 mm x 18.8 mm | 01-901.6 |
| | Plastic | White | translucent | flush | illuminative | 12.8 mm x 18.8 mm | 01-901.9 |
| | Plastic | Red | transparent | flush | illuminative | 12.8 mm x 18.8 mm | 01-972.2 |
| | Plastic | Yellow | transparent | flush | illuminative | 12.8 mm x 18.8 mm | 01-972.4 |
| | Plastic | Green | transparent | flush | illuminative | 12.8 mm x 18.8 mm | 01-972.5 |
| | Plastic | Colourless | transparent | flush | illuminative | 12.8 mm x 18.8 mm | 01-972.7 |
| | Plastic | Black | opaque | flush | non illuminative | 12.8 mm x 18.8 mm | 01-901.0 |
| | Plastic | Grey | opaque | flush | non illuminative | 12.8 mm x 18.8 mm | 01-901.8 |

Additional information

- Not recommended for film insert



Lens round, raised design

| Product attributes | Lens material | Lens colour | Lens optics | Lens shape | Lens illumination | Dimensions | Part No. |
|---------------------------------|---------------|-------------|-------------|------------|-------------------|------------|----------|
| | Plastic | Red | transparent | flush | illuminative | Ø 15.8 mm | 01-983.2 |
| | Plastic | Orange | transparent | flush | illuminative | Ø 15.8 mm | 01-983.3 |
| | Plastic | Yellow | transparent | flush | illuminative | Ø 15.8 mm | 01-983.4 |
| | Plastic | Green | transparent | flush | illuminative | Ø 15.8 mm | 01-983.5 |
| | Plastic | Blue | transparent | flush | illuminative | Ø 15.8 mm | 01-983.6 |
| | Plastic | Colourless | transparent | flush | illuminative | Ø 15.8 mm | 01-983.7 |
| Not recommended for film insert | Plastic | Red | translucent | flush | illuminative | Ø 15.8 mm | 01-931.2 |
| | Plastic | Yellow | translucent | flush | illuminative | Ø 15.8 mm | 01-931.4 |
| | Plastic | Blue | translucent | flush | illuminative | Ø 15.8 mm | 01-931.6 |
| | Plastic | White | translucent | flush | illuminative | Ø 15.8 mm | 01-931.9 |
| | Plastic | Red | transparent | flush | illuminative | Ø 15.8 mm | 01-973.2 |
| | Plastic | Yellow | transparent | flush | illuminative | Ø 15.8 mm | 01-973.4 |
| | Plastic | Green | transparent | flush | illuminative | Ø 15.8 mm | 01-973.5 |
| | Plastic | Colourless | transparent | flush | illuminative | Ø 15.8 mm | 01-973.7 |
| | Plastic | Black | opaque | flush | non illuminative | Ø 15.8 mm | 01-931.0 |
| | Plastic | Grey | opaque | flush | non illuminative | Ø 15.8 mm | 01-931.8 |

Additional information

- Not recommended for film insert

01 Components

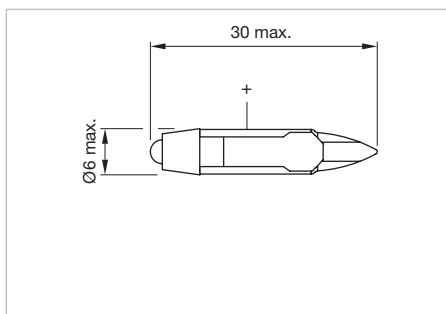


Single-LED, T5.7

| Illumination colour | Operating voltage | Operation current | Lumi. Intensity | Dom. Wavelength | Part No. | Wiring diagram |
|---------------------|-------------------|-------------------|-----------------|----------------------|--------------|----------------|
| Red | 6 V DC +10% | 15 mA ±15 % | 350 mcd | 630 nm | 10-2106.3142 | 33 |
| | 12 V AC/DC +10% | 7 - 14 mA ±15 % | 330 mcd | 630 nm | 10-2109.1062 | 33 |
| | 24 V AC/DC +10% | 7 - 14 mA ±15 % | 330 mcd | 630 nm | 10-2112.1062 | 33 |
| | 28 V AC/DC +10% | 7 - 14 mA ±15 % | 330 mcd | 630 nm | 10-2113.1062 | 33 |
| | 48 V AC/DC +10% | 4 - 8 mA ±15 % | 200 mcd | 630 nm | 10-2119.1042 | 33 |
| Yellow | 6 V DC +10% | 15 mA ±15 % | 300 mcd | 587 nm | 10-2106.3144 | 33 |
| | 12 V AC/DC +10% | 7 - 14 mA ±15 % | 280 mcd | 587 nm | 10-2109.1064 | 33 |
| | 24 V AC/DC +10% | 7 - 14 mA ±15 % | 280 mcd | 587 nm | 10-2112.1064 | 33 |
| | 28 V AC/DC +10% | 7 - 14 mA ±15 % | 280 mcd | 587 nm | 10-2113.1064 | 33 |
| | 48 V AC/DC +10% | 4 - 8 mA ±15 % | 180 mcd | 587 nm | 10-2119.1044 | 33 |
| Green | 6 V DC +10% | 7 mA ±15 % | 1050 mcd | 525 nm | 10-2106.3145 | 33 |
| | 12 V AC/DC +10% | 4 - 7 mA ±15 % | 1050 mcd | 525 nm | 10-2109.1065 | 33 |
| | 24 V AC/DC +10% | 4 - 7 mA ±15 % | 1050 mcd | 525 nm | 10-2112.1065 | 33 |
| | 28 V AC/DC +10% | 4 - 7 mA ±15 % | 1050 mcd | 525 nm | 10-2113.1065 | 33 |
| | 48 V AC/DC +10% | 2 - 4 mA ±15 % | 600 mcd | 525 nm | 10-2119.1045 | 33 |
| Blue | 6 V DC +10% | 15 mA ±15 % | 680 mcd | 470 nm | 10-2106.3146 | 33 |
| | 12 V AC/DC +10% | 4 - 14 mA ±15 % | 650 mcd | 470 nm | 10-2109.1066 | 33 |
| | 24 V AC/DC +10% | 7 - 14 mA ±15 % | 650 mcd | 470 nm | 10-2112.1066 | 33 |
| | 28 V AC/DC +10% | 7 - 14 mA ±15 % | 650 mcd | 470 nm | 10-2113.1066 | 33 |
| | 48 V AC/DC +10% | 4 - 8 mA ±15 % | 400 mcd | 470 nm | 10-2119.1046 | 33 |
| White | 6 V DC +10% | 6 mA ±15 % | 900 mcd | x: 0,31 / y: 0,32 nm | 10-2106.3149 | 33 |
| | 12 V AC/DC +10% | 3 - 6 mA ±15 % | 900 mcd | x: 0,31 / y: 0,32 nm | 10-2109.1069 | 33 |
| | 24 V AC/DC +10% | 2,5 - 5 mA ±15 % | 750 mcd | x: 0,31 / y: 0,32 nm | 10-2112.1069 | 33 |
| | 28 V AC/DC +10% | 2,5 - 5 mA ±15 % | 750 mcd | x: 0,31 / y: 0,32 nm | 10-2113.1069 | 33 |
| | 48 V AC/DC +10% | 2 - 4 mA ±15 % | 600 mcd | x: 0,31 / y: 0,32 nm | 10-2119.1049 | 33 |

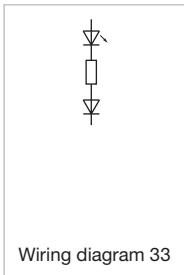
Additional information

- For LED element fitting information see Application guidelines, LED polarity
- Due to high surface temperatures, the series resistor must not be soldered directly to the terminals of the equipment (use a terminal plate)
- When using AC/DC types with AC operation, slight flickering can occur
- The luminous intensity stated is for when used with DC
- Electrical and optical data are measured at 25 °C
- The specified versions are built with a protection diode (halve wave rectifier) in series and the LED
- Luminosity and wave length variations caused by LED manufacturing processes may cause slight differences regarding the illumination. The customer has to decide what resistor shall be used to the LED
- Where supply voltages are over 48 V, a voltage-reduction element (external protective series resistor) must be used.



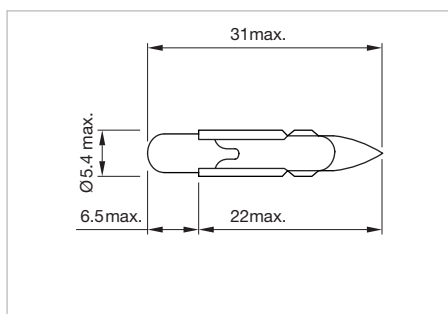
Dimensions [mm]

Wiring diagrams



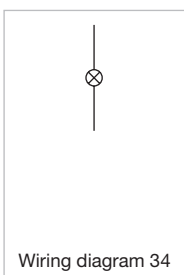
Filament lamp

| Operating voltage | Operation current | Part No. | Wiring diagram |
|-------------------|-------------------|--------------|----------------|
| 6 V AC/DC | 200 mA | 10-1106.1369 | 34 |
| 12 V AC/DC | 100 mA | 10-1109.1329 | 34 |
| 24 V AC/DC | 50 mA | 10-1112.1279 | 34 |
| 28 V AC/DC | 40 mA | 10-1113.1249 | 34 |
| 30 V AC/DC | 40 mA | 10-1114.1249 | 34 |
| 36 V AC/DC | 35 mA | 10-1116.1229 | 34 |
| 48 V AC/DC | 25 mA | 10-1119.1199 | 34 |



Dimensions [mm]

Wiring diagrams



01 Accessories

Front side



Blind plug

| Dimensions | Material | Colour | Part No. |
|---------------|----------|--------|----------|
| 18 mm x 18 mm | Plastic | Black | 01-948.0 |
| 18 mm x 24 mm | Plastic | Black | 01-947.0 |
| Ø 18 mm | Plastic | Black | 01-949.0 |

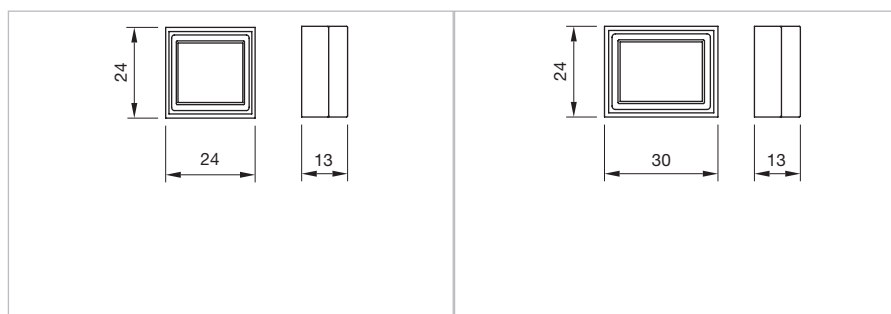


Protective cap

| Product attributes | Dimensions | Colour | Optics | Part No. |
|--------------------|---------------|------------|-------------|----------|
| Two-part | 24 mm x 24 mm | Colourless | transparent | 31-923 |
| | 24 mm x 30 mm | Colourless | transparent | 31-924.2 |

Additional information

- Two-part



Dimensions [mm]
for Part No. 31-923

Dimensions [mm]
for Part No. 31-924.2

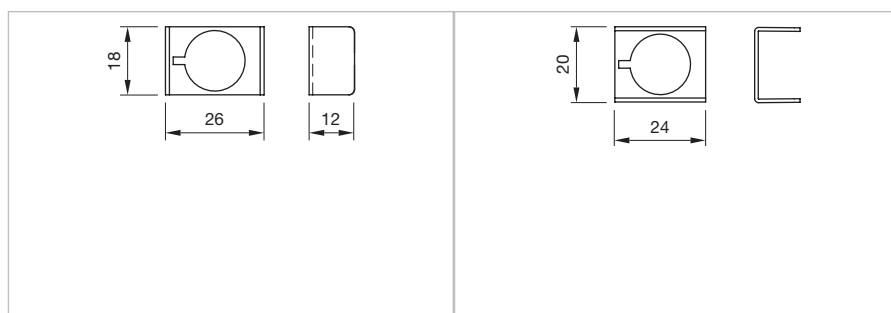


Protective guard

| Product attributes | Dimensions | Material | Surface | Part No. |
|--|---------------|----------|-------------|----------|
| Narrow ends bent upwards, for buttons 18 x 24 mm with mounting cut-out Ø16 mm | 18 mm x 26 mm | Brass | matt chrome | 01-926 |
| Broad sides bent upwards, for buttons 18 mm x 24 mm with mounting cut-out Ø16 mm | 20 mm x 24 mm | Brass | matt chrome | 01-927 |

Additional information

- Please note that bigger minimum distances are necessary



Dimensions [mm]
for Part No. 01-926

Dimensions [mm]
for Part No. 01-927

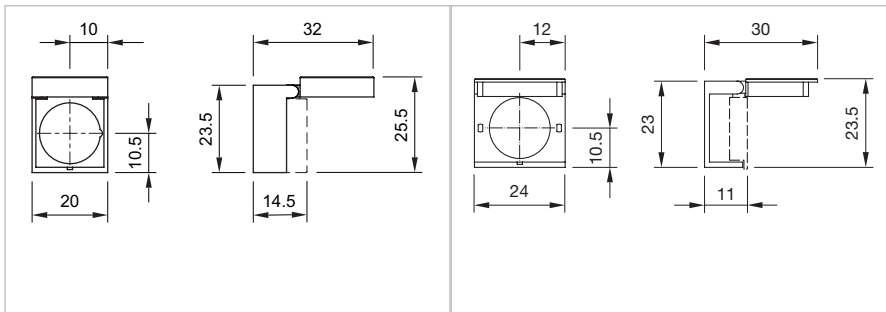


Protective cover

| Product attributes | Dimensions | Material | Optics | Part No. |
|--------------------------------|-----------------|----------|-------------|----------|
| Hinged, with means for sealing | 20 mm x 23.5 mm | Plastic | transparent | 31-920 |
| | 24 mm x 23.5 mm | Plastic | transparent | 01-925 |

Additional information

- Hinged, with means for sealing



Dimensions [mm]

Dimensions [mm]



Come take a look at our YouTube profile today! Be sure to give us a follow so that you can fully interact with us.

<https://www.youtube.com/user/eaoswitches>

01 Accessories

Rear side



Flat receptacle

| Product attributes | Material | Part No. |
|----------------------------------|----------|----------|
| 2.0 mm x 0.5 mm plug-in terminal | Metal | 31-945 |
| 2.8 x 0.5 mm plug-in terminal | Metal | 31-946 |



Insulation sleeve

| Product attributes | Material | Part No. |
|--|----------|----------|
| For flat receptacle 2.0 mm | Plastic | 31-928 |
| For flat receptacle 2.8 mm | Plastic | 31-929 |
| Cover plug-in terminals for snap-action switching element 2.8 mm | Plastic | 01-928 |



Terminal cover

| Product attributes | Material | Part No. |
|-----------------------------------|----------|----------|
| For snap-action switching element | Plastic | 01-929 |



Side terminal plate empty

| Product attributes | Dimensions | Part No. |
|--------------------|--------------------------|----------|
| 5 spaces | 62.5 mm x 15 mm x 60 mm | 02-912.1 |
| 10 spaces | 125 mm x 15 mm x 60 mm | 02-912.2 |
| 15 spaces | 187.6 mm x 15 mm x 60 mm | 02-912.3 |
| 20 spaces | 250 mm x 15 mm x 60 mm | 02-912.4 |

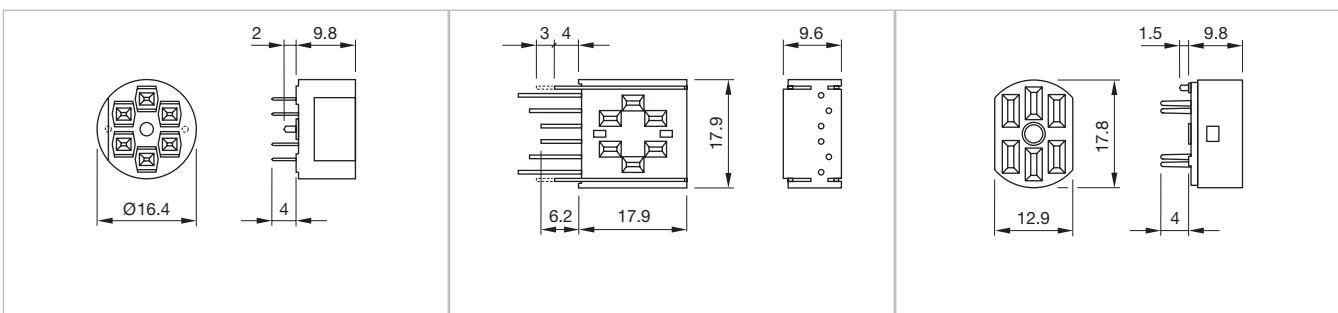


PCB plug-in base

| Product attributes | Terminal | Pins | Part No. | Component Layout |
|--|--------------|------------|----------|------------------|
| For low level switching element | PCB terminal | Axial | 31-940 | 3 |
| | PCB terminal | 90° angled | 31-941 | 2 |
| For snap-action switching element 2.8 mm | PCB terminal | Axial | 31-942 | 4 |

Additional information

- PCB plug-in base pins right-angle: With the extendable mounting the distance between plug-in base and PCB can be varied up to 3 mm

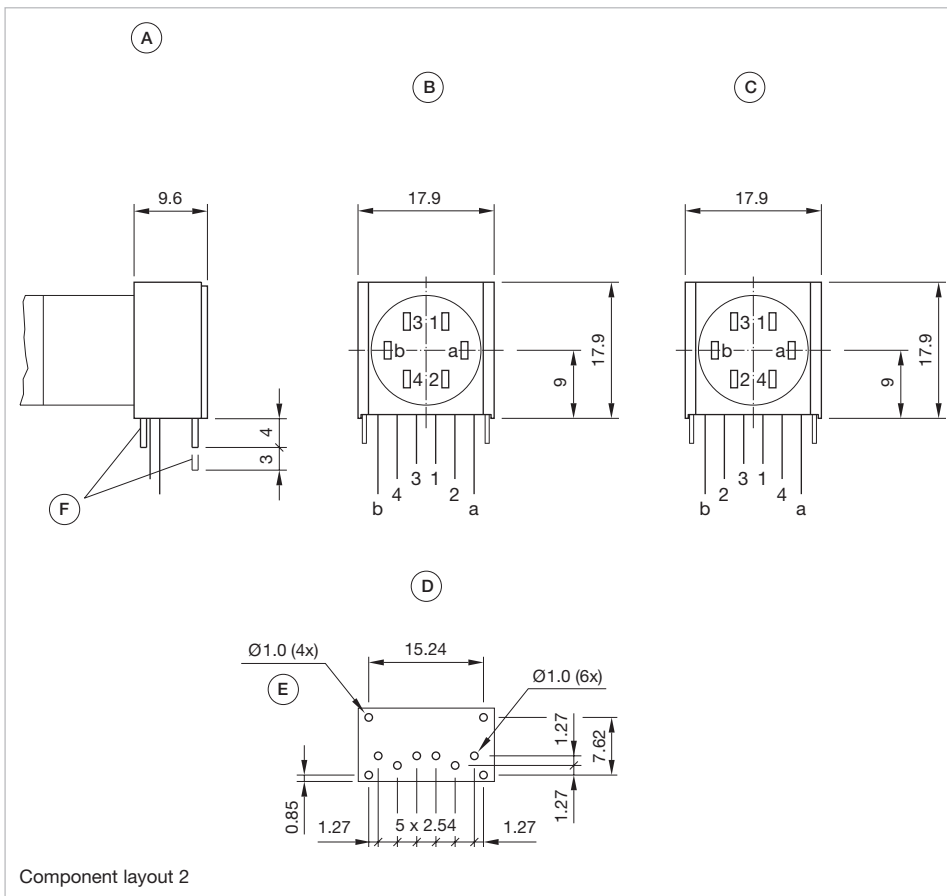


Dimensions [mm]
for Part No. 31-940

Dimensions [mm]
for Part No. 31-941

Dimensions [mm]
for Part No. 31-942

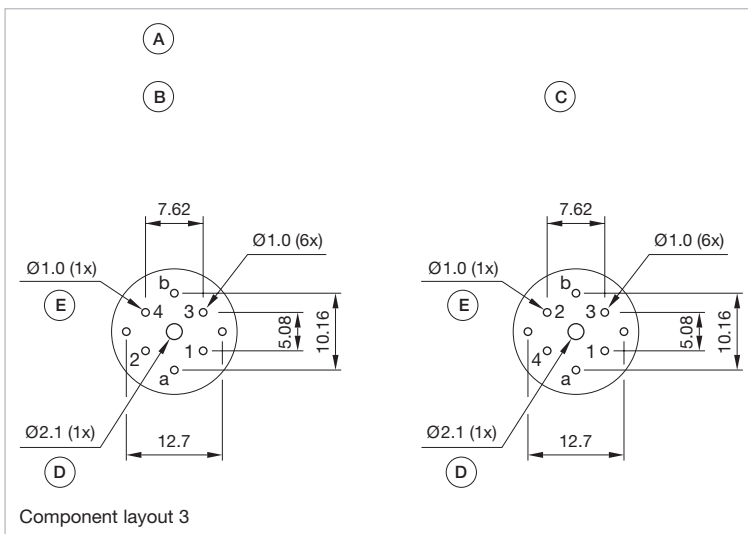
Component layouts



Component layout 2

Dimensions [mm]

- A = Socket 90° angled
- B = Occupancy plan (component side)
- C = Occupancy plan diode block
- D = Drilling plan (component side)
- E = non-metallic
- F = Extendable mounting pins



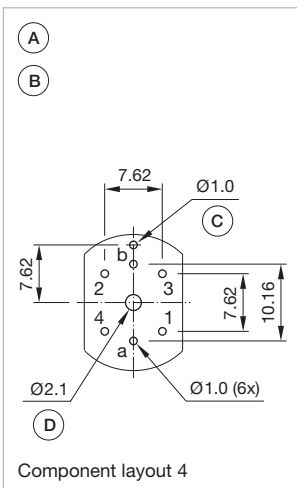
Component layout 3

Dimensions [mm]

- A = Axial socket
- B = Drilling-/occupancy plan (component side)
- C = Drilling-/occupancy plan diode block
- D = for central mounting with M2 screw, if desired
- E = non-metallic

01 Accessories

Component layouts



Dimensions [mm]

A = Axial socket

B = Drilling-/occupancy plan (component side)

C = non-metallic

D = for central mounting with M2 screw, if desired



Series resistor

| Operating voltage | Resistance | Part No. |
|-------------------|----------------|----------|
| 110 V AC | 2.7 k Ω | 02-904.0 |
| 125 V AC | 3.3 k Ω | 02-904.1 |
| 145 V AC | 4.7 k Ω | 02-904.3 |
| 240 V AC | 10 k Ω | 02-904.7 |

Additional information

- Only for filament lamp 48 VAC, 25 mA
- Due to high surface temperatures, the series resistor must not be soldered directly to the terminals of the equipment (use a terminal plate)
- Keep to the country specific safety instructions

Mounting



Lens remover

| Product attributes | Material | Part No. |
|--------------------|----------|----------|
| For raised design | Metal | 02-905 |



Lamp remover

| Product attributes | Material | Part No. |
|--|----------|----------|
| A switching action may occur when replacing the lamp | Plastic | 02-906 |



Mounting tool

| Product attributes | Dimensions | Material | Part No. |
|---|------------|----------|----------|
| For tightening or loosening of the fixing nut Ø 16 mm | Ø 16 mm | Metal | 01-907 |



Dressing tool

| Product attributes | Material | Part No. |
|----------------------|----------|----------|
| For aligning buttons | Metal | 01-906 |

- 01
- 02
- 03
- 04
- 09
- 14
- 17
- 18
- 19
- 22
- 31
- 41
- 45
- 51
- 56
- 57
- 61
- 70
- 71
- 82
- 84
- 92
- 96

01 Technical data

Actuator with snap-action switching element

02 Switching system

03 Self-cleaning, double-break, snap action switching system (with contact gap 2 mm x 0.5 mm).

04 1 Normally closed and 1 Normally open contact per element.

09 Snap-action switching elements with soldering terminals at the sides: Up to 4 switching element can be on a pushbutton (max. 4 Normally closed and 4 Normally open contacts).

14 Snap-action switching element with axial plug-in terminals 2.8 mm stachable, only 1 switching element can be on a pushbutton.

17 Material

18 Material of contact

19 Gold plated silver

22 Switch housing

31 Axial plug-in-/soldering terminal 2.8 mm: Plastic

31 Actuator housing

41 Plastic

41 Mechanical characteristics

45 Terminals

51 Snap-action switching element with tinned soldering terminals at the sides:

56 Max. wire diameter 2 wires à 1.2 mm

57 Max. wire cross-section of stranded cable 1 x 1 mm²

57 Snap-action switching element with axial plug-in terminals, which can also be used as soldering terminals: Plug-in terminal 2.8 mm x 0.5 mm

61 Soldering terminal:

61 Max. wire diameter 2 wire of 1 mm²

70 Max. wire cross-section of stranded cable 2 x 0.75 mm² or 1 x 1 mm²

71 Tightening torque

71 For fixing nut max. 0.25 Nm

82 Actuating force

82 2 N ... 5.5 N, depending on the number of switching elements

84 Actuating travel

92 Approx. 3 mm

96 Mechanical lifetime

Momentary action 2 million cycles of operation

Maintained action 1 million cycles of operation

Electrical characteristics

Standards

EN IEC 61058-1

Rated voltage

250 VAC

220 VDC

Rated current

5 A

Thermal current I_{th}

5 A

Switching voltage and switching current

250 VAC, 5 A (ohmic)

250 VAC, 2 A (inductive, cos(phi) = 0.7)

220 VDC, 0.1 A (inductive, L:R = 30 ms)

110 VDC, 0.2 A (inductive, L:R = 30 ms)

60 VDC, 0.7 A (inductive, L:R = 30 ms)

24 VDC, 2 A (inductive, L:R = 30 ms)

Electric strength

2500 VAC, 50 Hz, 1 minute between all terminals and earth, as per IEC 61058-1, part 1

Protection class

II

Electrical lifetime

50 000 cycles of operation

Ambient conditions

Storage temperature

-40 °C ... +85 °C

Operating temperature

-25 °C ... +55 °C

For indicators and illuminated pushbuttons mounted as a block, make sure the heat can escape freely.

Protection degree

IP40 front side

IP67 with front protective cap

Shock resistance

(Single impacts, semi-sinusoidal)

15 g for 11 ms, as per IEC 60512-4-3, IEC 60068-2-27

Vibration resistance

(sinusoidal)

10g at 0-2000 Hz, amplitude 1.5 mm, as per IEC 60512-4-4, IEC 60068-2-6

Climate resistance

Standard condition, as per IEC 60068-2-3

Changing condition, as per IEC 60068-2-14

Approvals

Approbations

CB (IEC 61058)

CSA

ENEC (EN 61058)

DNV GL (Germanischer Lloyd)

UL

Conformities

CE

Actuator with low level switching element

Switching system

This low level switching element was designed for switching low powers in electronic circuits. The mechanism assures reliable switching of loads ranging from a few μA / μV up to 100 mA / 42 VAC/DC.

Single-break momentary contact, as normally open or normally closed with 4 independent points of contact. 2 momentary contacts per switching element; combination of normally open and normally closed is possible.

Special features are the long life, extremely short rebound time and stable contact resistance.

Material

Material of contact

Gold plated silver

Switch housing

Plastic

Actuator housing

Plastic

Mechanical characteristics

Terminals

The universal terminals permit these units to be mounted on printed circuit boards (PCB). These terminals can also be used as soldering or plug-in terminals.

For these terminals we can also supply a plug-in base which, when soldered on to the board, enables the switch to be plugged in.

Soldering terminal:

Solder terminal:

Max. wire diameter 2 wires à 0.8 mm

Max. wire cross-section of stranded cable 1 x 0.75 mm²

Plug-in terminal:

2.0 mm x 0.5 mm

Actuating force

3 ... 3.52 N

Actuating travel

Approx. 3 mm

Mechanical lifetime

Momentary action 5 million cycles of operation

Maintained action 1 million cycles of operation

Electrical characteristics

Standards

EN/IEC 61058-1

Switching voltage and switching current

100 mA at 42 VAC/VDC

Electric strength

2500 VAC, 50 Hz, 1 minute between all terminals and earth, as per IEC 60512-2-11

Protection class

II

01 Technical data

Ambient conditions

Storage temperature

-40 °C ... +85 °C

Service temperature

-25 °C ... +55 °C

For indicators and illuminated pushbuttons mounted as a block, make sure the heat can escape freely.

Protection degree

IP40 front

IP67 with front protective cap

Shock resistance

(Single impacts, semi-sinusoidal)

15 g for 11 ms, as per IEC 60512-4-3, IEC 60068-2-27

Climate resistance

Standard condition, as per IEC 60068-2-3

Changing condition, as per IEC 60068-2-14

Approvals

Conformities

2011/65/EC (RoHS)

EAO reserves the right to alter specifications without further notice.

General notes

1. Engraving

In addition to the most commonly used world languages, in DIN1451-3 close spacing, other typefaces are available as Scandinavian, Slavic, Greek, Russian and Polish. Red, blue and black lenses are filled with white colour. Other colour lenses are filled in black. Standard height of letters is 2 mm. If the height is not specified, we will supply 2 mm engraved letters.

2. Hot stamping

For larger series it is worth considering markings by means of hot stamping. We will be pleased to advise you. For letters and figures, typefaces with 2.5 mm, 3 mm and 4 mm are available.

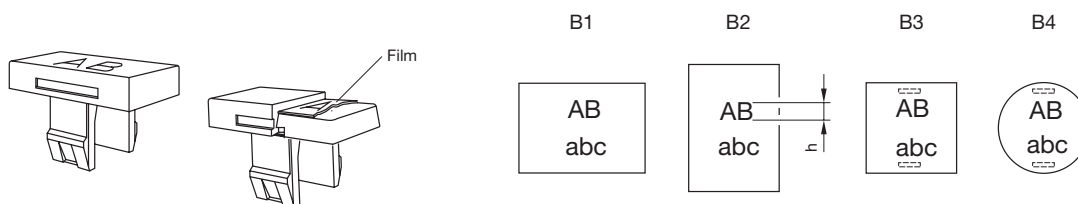
3. Film inserts

Instead of using engraving the lenses can be fitted with transparent film inserts, as an alternative. For this purpose, though, it is advisable to use transparent lenses. In the case of use of a smoke-black lens the fitted film becomes readable only if the lamp is on. To insert the film, the feet of the lens holder have to be pushed together far enough to enable the lens to be lifted off easily. The film thickness is 0.2 mm.

Important: Consider pushbutton mounting orientation before specifying engraving characters!

All dimensions in mm

| Front size (Lens) | Film insert max. size | Height of letters h | Number of lines | Number of capital letters per line (target value) | Number of small letters per line (target value) | Image |
|-----------------------|-----------------------|---------------------|-----------------|---|---|-------|
| 18 x 18 (12.8 x 12.8) | 10.2 x 10.2 | 2.5 | 3 | 6-7 | 7 | B3 |
| | | 3.0 | 2 | 5-6 | 6 | B3 |
| | | 4.0 | 2 | 4 | 4 | B3 |
| | | 5.0 | 1 | 3 | 3-4 | B3 |
| | | 6.0 | 1 | 2-3 | 3 | B3 |
| | | 8.0 | 1 | 2 | 2 | B3 |
| 18 x 24 (12.8 x 18.8) | 10.2 x 16.2 | 2.5 | 3 | 10 | 10-11 | B1 |
| | | 2.5 | 4 | 6-7 | 7 | B2 |
| | | 3.0 | 2 | 8-9 | 9 | B3 |
| | | 3.0 | 4 | 5-6 | 6 | B4 |
| | | 4.0 | 2 | 6 | 6-7 | B2 |
| | | 4.0 | 3 | 4 | 4 | B1 |
| | | 5.0 | 1 | 5 | 5-6 | B2 |
| | | 5.0 | 2 | 3 | 3-4 | B1 |
| | | 6.0 | 1 | 4 | 4-5 | B2 |
| | | 6.0 | 1 | 2-3 | 3 | B1 |
| | | 8.0 | 1 | 3 | 3-4 | B2 |
| | | 8.0 | 1 | 2 | 2 | B2 |
| Ø 18 (Ø 15.8) | Ø 12.8 | 2.5 | 3 | 6 | 6 | B4 |
| | | 3.0 | 2 | 5 | 6 | B4 |
| | | 4.0 | 2 | 3 | 4 | B4 |
| | | 5.0 | 1 | 2 | 3 | B4 |
| | | 6.0 | 1 | 2 | 2 | B4 |
| | | 8.0 | 1 | 2 | 2 | B4 |



01 Application guidelines

Suppressor circuits

When switching inductive loads such as relays, DC motors, and DC solenoids, it is always important to absorb surges (e.g. with a diode) to protect the contacts. When these inductive loads are switched off, a counter emf can severely damage switch contacts and greatly shorten lifetime.

Fig. 1 shows an inductive load with a free-wheeling diode connected in parallel. This free-wheeling diode provides a path for the inductor current to flow when the current is interrupted by the switch. Without this free-wheeling diode, the voltage across the coil will be limited only by dielectric breakdown voltages of the circuit or parasitic elements of the coil. This voltage can be kilo-

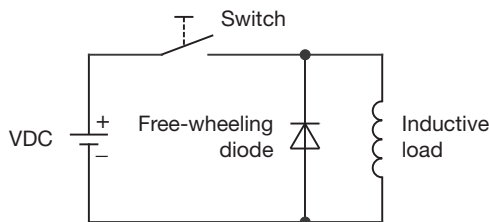
volts in amplitude even when nominal circuit voltages are low (e.g. 12VDC) see Fig. 2.

The free-wheeling diode should be chosen so that the reverse breakdown voltage is greater than the voltage driving the inductive load. The DC blocking voltage (V_R) of the free-wheeling diode can be found in the datasheet of a diode. The forward current should be equal or greater than the maximum current flowing through the load.

To get an efficient protection, the free-wheeling diode must be connected as close as possible to the inductive load!

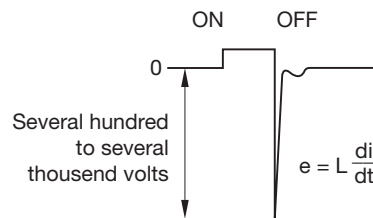
Switching with inductive load

Fig. 1



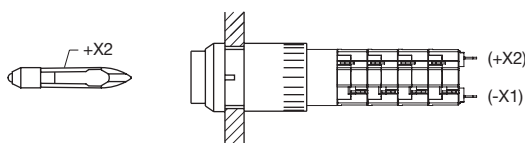
Counter EMF over load without free-wheeling diode

Fig. 2



LED polarity

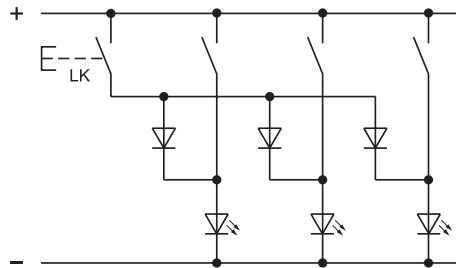
When fitting the LED element the polarity has to correspond with the respective terminal, (+) goes to +.



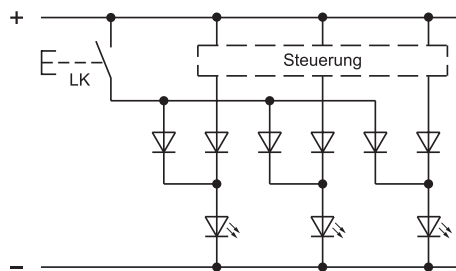
Diode element for lamp check

When indicators and illuminated pushbuttons equipped with diodes, the user is able to perform a lamp check or wire an alarm circuit simply with a considerable saving of space.

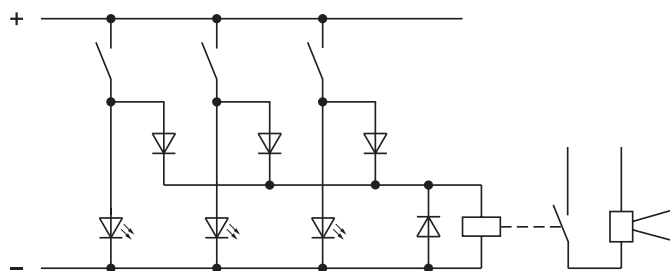
Lamp check



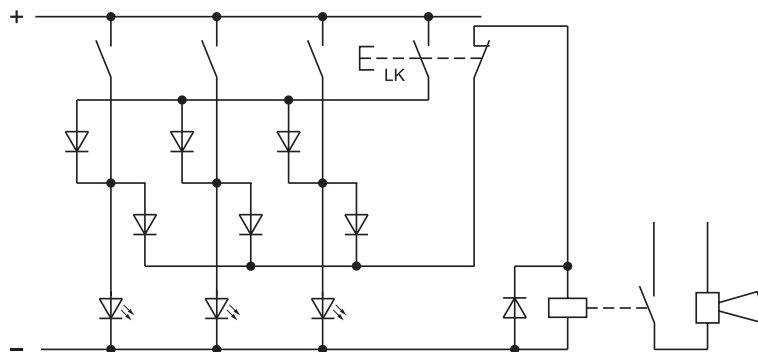
Lamp check with blocking diodes



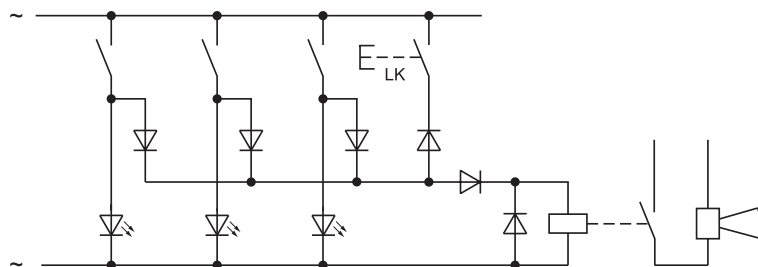
Alarm circuit from fault annunciation system



Lamp check and alarm circuit



Lamp check and alarm circuit with only one diode and AC voltage



LK = Lamp control

01 Index

| Part No. | Page | Part No. | Page | Part No. | Page |
|-------------|------|-------------|------|--------------|------|
| 01-030.002 | 17 | 01-715.0292 | 7 | 02-912.1 | 26 |
| 01-030.005 | 17 | 01-716.0292 | 8 | 02-912.2 | 26 |
| 01-031.006 | 17 | 01-717.0292 | 4 | 02-912.3 | 26 |
| 01-040.002 | 15 | 01-718.0292 | 4 | 02-912.4 | 26 |
| 01-040.005 | 15 | 01-719.0292 | 4 | 10-1106.1369 | 23 |
| 01-041.006 | 15 | 01-741.006 | 17 | 10-1109.1329 | 23 |
| 01-050.002 | 13 | 01-742.006 | 17 | 10-1112.1279 | 23 |
| 01-050.005 | 13 | 01-743.0292 | 10 | 10-1113.1249 | 23 |
| 01-051.006 | 13 | 01-744.0292 | 10 | 10-1114.1249 | 23 |
| 01-121.022 | 7 | 01-746.0292 | 10 | 10-1116.1229 | 23 |
| 01-121.0252 | 7 | 01-748.0292 | 10 | 10-1119.1199 | 23 |
| 01-122.0252 | 7 | 01-750.0292 | 10 | 10-2106.3142 | 22 |
| 01-123.0252 | 7 | 01-901.0 | 20 | 10-2106.3144 | 22 |
| 01-124.0252 | 7 | 01-901.2 | 20 | 10-2106.3145 | 22 |
| 01-131.022 | 10 | 01-901.3 | 20 | 10-2106.3146 | 22 |
| 01-131.0252 | 10 | 01-901.4 | 20 | 10-2106.3149 | 22 |
| 01-132.0252 | 10 | 01-901.6 | 20 | 10-2109.1062 | 22 |
| 01-133.0252 | 10 | 01-901.8 | 20 | 10-2109.1064 | 22 |
| 01-134.0252 | 10 | 01-901.9 | 20 | 10-2109.1065 | 22 |
| 01-151.022 | 4 | 01-906 | 29 | 10-2109.1066 | 22 |
| 01-151.0252 | 4 | 01-907 | 29 | 10-2109.1069 | 22 |
| 01-152.0252 | 4 | 01-925 | 25 | 10-2112.1062 | 22 |
| 01-153.0252 | 4 | 01-926 | 24 | 10-2112.1064 | 22 |
| 01-154.0252 | 4 | 01-927 | 24 | 10-2112.1065 | 22 |
| 01-261.022 | 7 | 01-928 | 26 | 10-2112.1066 | 22 |
| 01-261.0252 | 7 | 01-929 | 26 | 10-2112.1069 | 22 |
| 01-262.0252 | 7 | 01-931.0 | 21 | 10-2113.1062 | 22 |
| 01-263.0252 | 7 | 01-931.2 | 21 | 10-2113.1064 | 22 |
| 01-264.0252 | 7 | 01-931.4 | 21 | 10-2113.1065 | 22 |
| 01-271.022 | 10 | 01-931.6 | 21 | 10-2113.1066 | 22 |
| 01-271.0252 | 10 | 01-931.8 | 21 | 10-2113.1069 | 22 |
| 01-272.0252 | 10 | 01-931.9 | 21 | 10-2119.1042 | 22 |
| 01-273.0252 | 10 | 01-947.0 | 24 | 10-2119.1044 | 22 |
| 01-274.0252 | 10 | 01-948.0 | 24 | 10-2119.1045 | 22 |
| 01-281.022 | 4 | 01-949.0 | 24 | 10-2119.1046 | 22 |
| 01-281.0252 | 4 | 01-951.0 | 19 | 10-2119.1049 | 22 |
| 01-282.0252 | 4 | 01-951.2 | 19 | 31-920 | 25 |
| 01-283.0252 | 4 | 01-951.4 | 19 | 31-923 | 24 |
| 01-284.0252 | 4 | 01-951.6 | 19 | 31-924.2 | 24 |
| 01-421.036 | 7 | 01-951.8 | 19 | 31-928 | 26 |
| 01-422.036 | 7 | 01-951.9 | 19 | 31-929 | 26 |
| 01-423.036 | 7 | 01-972.2 | 20 | 31-940 | 26 |
| 01-425.036 | 7 | 01-972.4 | 20 | 31-941 | 26 |
| 01-431.036 | 10 | 01-972.5 | 20 | 31-942 | 26 |
| 01-432.036 | 10 | 01-972.7 | 20 | 31-945 | 26 |
| 01-433.036 | 10 | 01-973.2 | 21 | 31-946 | 26 |
| 01-435.036 | 10 | 01-973.4 | 21 | | |
| 01-451.036 | 4 | 01-973.5 | 21 | | |
| 01-453.036 | 4 | 01-973.7 | 21 | | |
| 01-455.036 | 4 | 01-975.2 | 19 | | |
| 01-456.036 | 4 | 01-975.4 | 19 | | |
| 01-461.036 | 7 | 01-975.5 | 19 | | |
| 01-462.036 | 7 | 01-975.7 | 19 | | |
| 01-463.036 | 7 | 01-982.2 | 20 | | |
| 01-465.036 | 7 | 01-982.3 | 20 | | |
| 01-471.036 | 10 | 01-982.4 | 20 | | |
| 01-472.036 | 10 | 01-982.5 | 20 | | |
| 01-473.036 | 10 | 01-982.6 | 20 | | |
| 01-475.036 | 10 | 01-982.7 | 20 | | |
| 01-481.036 | 4 | 01-983.2 | 21 | | |
| 01-483.036 | 4 | 01-983.3 | 21 | | |
| 01-485.036 | 4 | 01-983.4 | 21 | | |
| 01-486.036 | 4 | 01-983.5 | 21 | | |
| 01-701.006 | 15 | 01-983.6 | 21 | | |
| 01-702.006 | 15 | 01-983.7 | 21 | | |
| 01-703.006 | 13 | 01-985.2 | 19 | | |
| 01-704.006 | 13 | 01-985.3 | 19 | | |
| 01-705.0292 | 7 | 01-985.4 | 19 | | |
| 01-706.0292 | 7 | 01-985.5 | 19 | | |
| 01-707.0292 | 7 | 01-985.6 | 19 | | |
| 01-708.0292 | 7 | 01-985.7 | 19 | | |
| 01-709.0292 | 4 | 02-904.0 | 28 | | |
| 01-710.0292 | 4 | 02-904.1 | 28 | | |
| 01-711.0292 | 4 | 02-904.3 | 28 | | |
| 01-712.0292 | 4 | 02-904.7 | 28 | | |
| 01-713.0292 | 7 | 02-905 | 29 | | |
| 01-714.0292 | 7 | 02-906 | 29 | | |

Mouser Electronics

Authorized Distributor

Click to View Pricing, Inventory, Delivery & Lifecycle Information:

EAO:

[01-901.0](#) [01-951.3](#) [01-050.005](#) [01-982.3](#) [01-983.7](#) [01-983.6](#) [01-982.7](#) [01-973.4](#) [01-931.8](#) [01-926](#) [01-982.5](#) [01-985.2](#) [01-951.4](#) [01-983.5](#) [01-928](#) [01-985.4](#) [01-972.5](#) [01-985.6](#) [01-906](#) [01-972.2](#) [01-929](#) [01-985.5](#) [01-983.2](#) [01-972.7](#) [01-951.6](#) [01-983.3](#) [01-901.8](#) [01-931.4](#) [01-982.4](#) [01-948.0](#) [01-975.7](#) [01-973.7](#) [01-901.3](#) [01-901.9](#) [01-982.6](#) [01-949.0](#) [01-932.2](#) [01-932.0](#) [01-962](#) [01-930.4](#) [01-932.5](#) [01-121.012](#) [01-932.4](#) [01-930.2](#) [01-930.5](#) [01-952.0](#)