

# Optical Encoders

## Series 62B Push-Pull, High Torque



**FEATURES**

- Multiple Switching Functions Available in One Compact Device
- Push and Pull Travel Options
- Pull Shaft Resists Accidental Actuation
- High Rotational Torque for Positive Detent Feel and Superior Tactile Feedback
- Long Life, High Reliability
- CMOS, HCMOS, and TTL Compatible

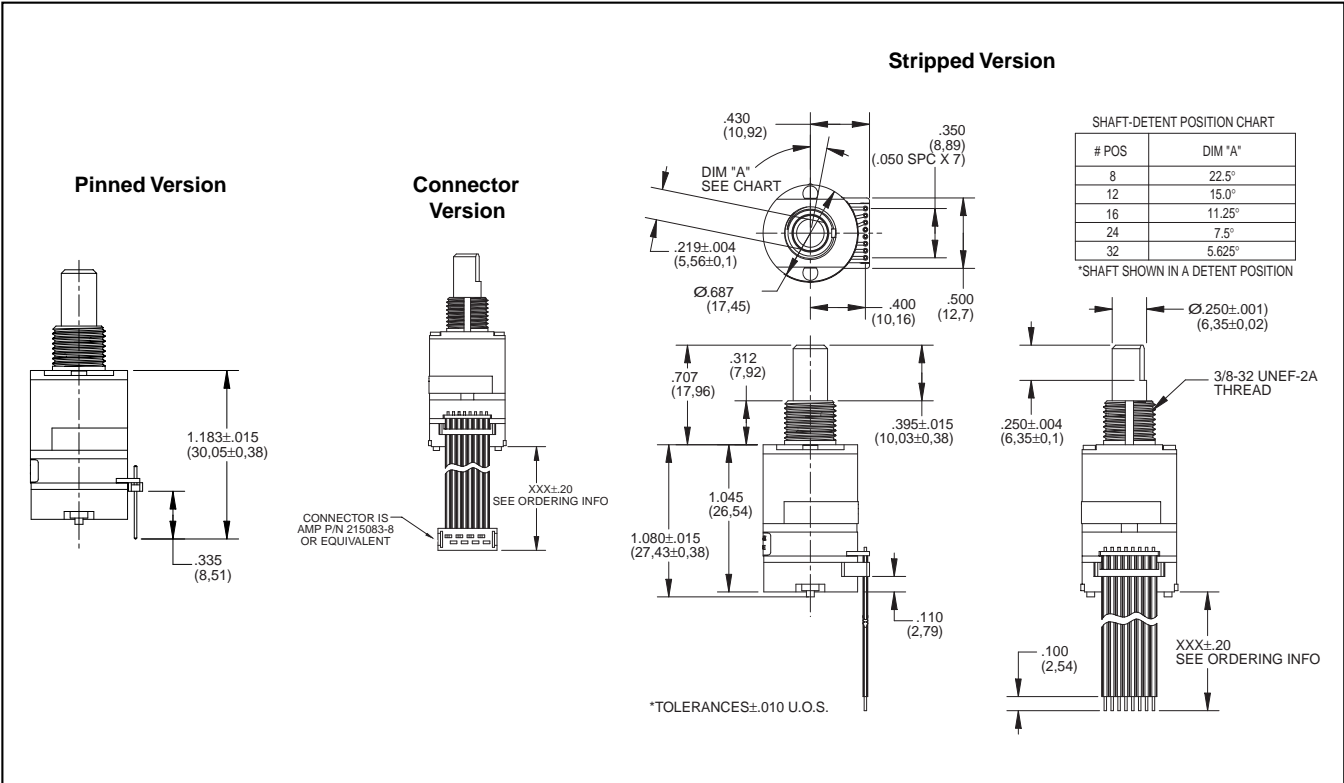
- Pin, Cable and Connector with Cable Termination Options
- Custom Modifications Available

**APPLICATIONS**

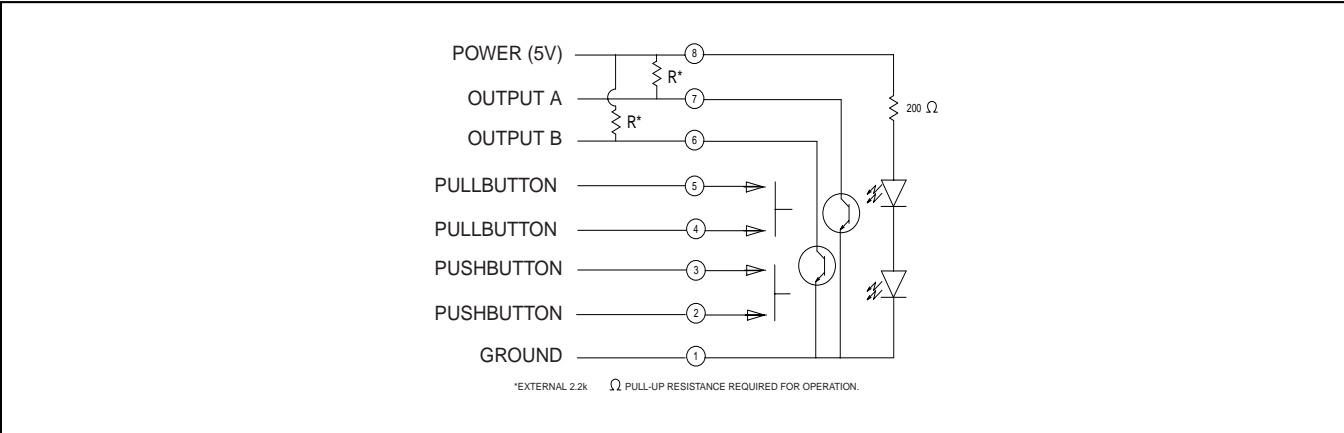
- Use for Menu Scrolling or Function Selection
- Avionics
- Industrial
- Medical



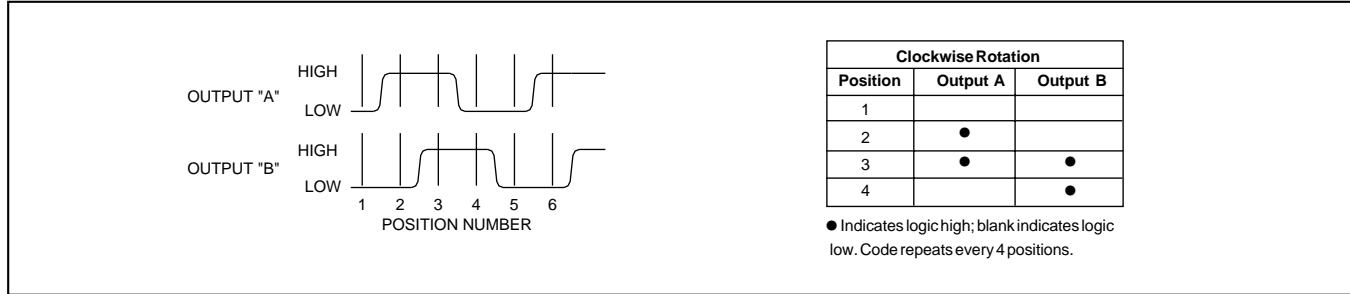
**DIMENSIONS** In inches (and millimeters)



**SWITCH SCHEMATIC, WAVEFORM, AND TRUTH TABLE**



#### WAVEFORM AND TRUTH TABLE Standard Quadrature 2-Bit Code



### SPECIFICATIONS

#### Environmental Specifications

**Operating Temperature Range:** -40° C to 85° C

**Storage Temperature Range:** -55° C to 100° C

**Humidity:** 96 hours at 90-95% humidity at 40° C

**Mechanical Vibration:** Harmonic motion with amplitude of 15 g, within a varied frequency of 10 to 2000 Hz

#### Mechanical Shock:

Test 1: 100 g for 6 ms half-sine wave with a velocity change of 12.3 ft/sec

Test 2: 100 g for 6 ms sawtooth wave with a velocity change of 9.7 ft/sec

#### Rotary Electrical and

#### Mechanical Specifications

**Operating Voltage:** 5.00±.25 Vdc

**Supply Current:** 30 mA maximum at 5 Vdc

**Output:** Open collector phototransistor, external pull-up resistors are required

**Output Code:** Two-bit quadrature, channel A leads channel B by 90° electrically during clockwise rotation of the shaft

#### Logic Output Characteristics:

Logic high signal shall be no less than 3.0 Vdc

Logic low signal shall be no greater than 1.0 Vdc

**Minimum Sink Current:** 2.0 mA

**Power Consumption:** 150 mW maximum

**Mechanical Life:** 1 million rotational cycles of operation. One cycle is a rotation through all positions and a full return

**Average Rotational Torque:** 6.0±1.5 in-oz initially. Torque shall be within 50% of initial value throughout life

**Mounting Torque:** 15 in-oz maximum

**Shaft Push-Out Force:** 45 lbs minimum

**Shaft Pull-Out Force:** 20 lbs minimum

**Terminal Strength:** 15 lbs minimum terminal pull-out force for cable or header termination

**Solderability:** 95% free of pin holes and voids

#### Pull-Button/Push-Button Electrical and Mechanical Specifications

**Rating:** 10 mA at 5 Vdc

**Contact Resistance:** <10 ohms

**Life:** 3 million actuations minimum

**Contact Bounce:** <4 ms make, <10 ms break

**Actuation Force:** 1700±450 g for both push and pull-button

**Shaft Travel:** .030±.010 standard travel. .050±.010 long travel

#### Materials and Finishes

**Bushing:** Zinc Diecast, Cadmium Plated per QQP-416, Class II, Type II

**Shaft:** Aluminum

**Detent Cover:** Powered Metal per SS-316N1-25

**Through Bolts:** 305 Stainless Steel

**Through Bolts Nuts:** 305 Stainless Steel

**Shaft Travel Springs:** Carbon Steel, Oil Dip Finish

**Detent Ball:** Stainless Steel

**Detent Spring:** Tinned Music Wire

**Spacer/Pull Dome Retainer:** Ryton R-4

**Push Actuator:** Zytel 70G33L

**Snap Dome:** Stainless Steel

**Printed Circuit Boards:** Nema Grade FR4, Double Clad with Copper, Plated with Gold over Nickel

**Infrared Light Emitting Diode Chips:** Gallium Aluminum Arsenide

**Silicon Phototransistor Chips:** Gold and Aluminum Alloys

**Resistor:** Metal Oxide on Ceramic Substrate

**Solder Pins:** Brass, Plated with Tin

**Code Rotor:** Delrin 100

**Code Housing:** Hiloy-610

**Pull Dome Retainer:** Ryton R-4

**Pull Actuator:** Polyurethane, Isoplast 101 LGF40 Blk

**Cover:** Ryton R-4

**Cable:** Copper Standard with Topcoat in PVC Insulation (Cabled Versions Only)

**Connector:** PA4.6 with Tin/Lead Plated Phosphor Bronze (Cable/Connector Versions)

**Label:** TT406 Thermal Transfer Cast Film

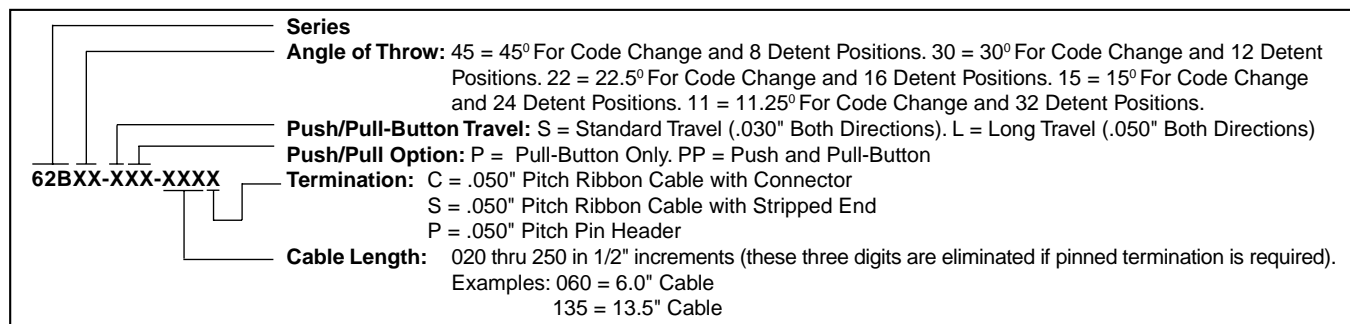
**Solder:** 60/40 Tin Lead, No Clean - Low Residue Flux

#### Lubricating Grease:

**Mounting Hex Nut:** Cadmium Over 1/2 Hard Brass

**Lockwasher:** 8-18 Stainless Steel, Passivate Finish

**Pin Header:** Hi-Temp Glass Filled Thermoplastic UL94V-0, Phosphor Bronze (Pinned Versions Only)



Available from your local Grayhill Component Distributor. For prices and discounts, contact a local Sales Office, an authorized local Distributor, or Grayhill.

# Mouser Electronics

Authorized Distributor

Click to View Pricing, Inventory, Delivery & Lifecycle Information:

## Grayhill:

[62B22-LPP-025C](#) [62B22-LPP-020C](#) [62B22-SPP-020C](#) [62B22-SPP-100C](#) [62B11-SPP-080C](#) [62B11-LPP-100S](#)  
[62B11-LPP-080S](#) [62B22-SPP-080C](#) [62B11-LPP-020C](#) [62B11-SPP-200S](#) [62B22-LPP-100S](#) [62B11-LPP-200C](#)  
[62B11-LPP-020S](#) [62B11-SPP-020C](#) [62B22-SPP-030C](#) [62B22-LP-030C](#) [62B22-LPP-200C](#) [62B22-LPP-060S](#) [62B11-](#)  
[SPP-030C](#) [62B22-LPP-020S](#) [62B11-SPP-060C](#) [62B11-LPP-080C](#) [62B11-SPP-200C](#) [62B22-LPP-080C](#) [62B22-LPP-](#)  
[030C](#) [62B11-LPP-060C](#) [62B11-SPP-100C](#) [62B22-SPP-080S](#) [62B11-LP-100S](#) [62B11-SPP-120S](#) [62B11-LPP-030S](#)  
[62B22-SPP-120S](#) [62B11-LPP-120S](#) [62B22-LPP-060C](#)