

SERIES 37F PIEZO Pushbutton Switches

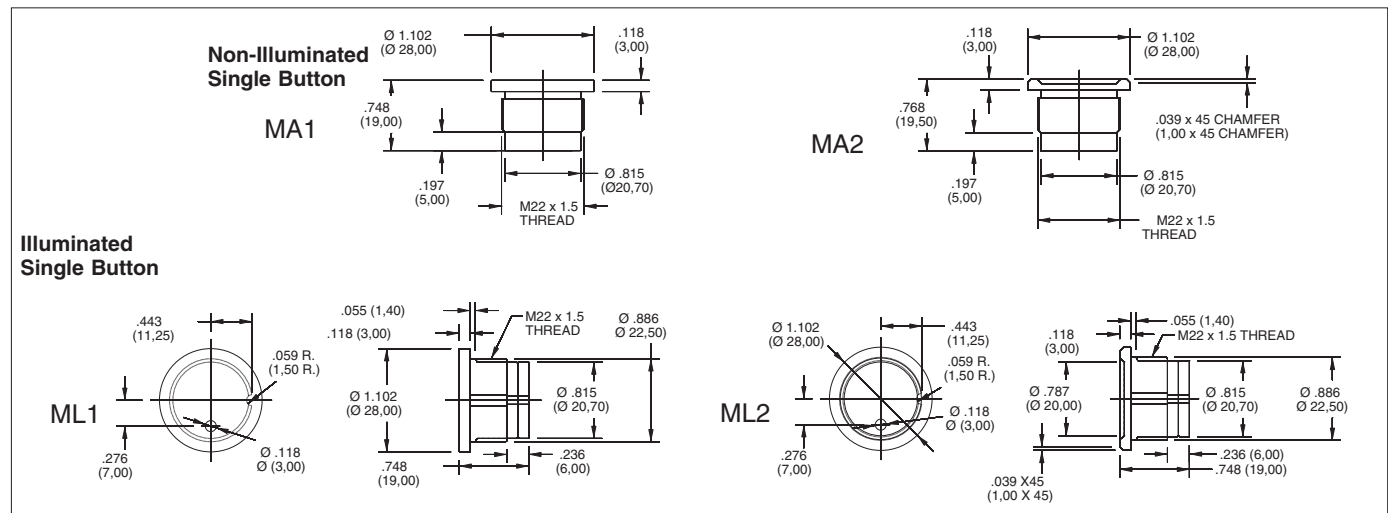


FEATURES

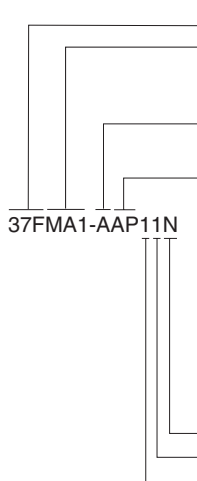
- Fully Sealed
- Virtually Indestructible
- Vandal Resistant
- Indoor and Outdoor Use



DIMENSIONS In inches (and millimeters)

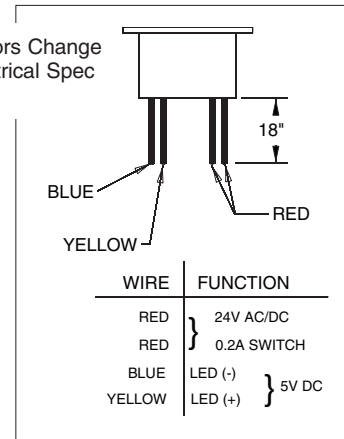


ORDERING INFORMATION, 37FMA AND 37FML



Grayhill Series
Housing Type
 MA1, MA2
 ML1*, ML2*
Circuitry
 A - N.O., B - N.C.
Electrical Specifications
 AW - V Max: 24V, I Max: 0.2 A AC/DC, Term: Red wire
 BW - V Max: 24V, I Max: 0.2 A AC/DC, 150 Transient, Term: Purple wire
 CW - V Max: 24V, I Max: 1.0 A AC/DC, 150 Transient Term: Orange/White wire
 EW - V Max: 24V, I Max: 0.2 A AC/DC, Term: Green wire, N.C. Circuitry Option Only
 AP - V. Max: 24V, I Max 0.2 A AC/DC, Term: PIN
 CP** - V Max: 24V, I Max: 1.0 A AC/DC, Term: PIN
Housing Color: N - Natural
Housing Material: 1 - Aluminum
LED: 1- Red, 2 - Green, 3 - Yellow, 4 - Red/Green

Wire Colors Change with Electrical Spec Option



***LED Option**

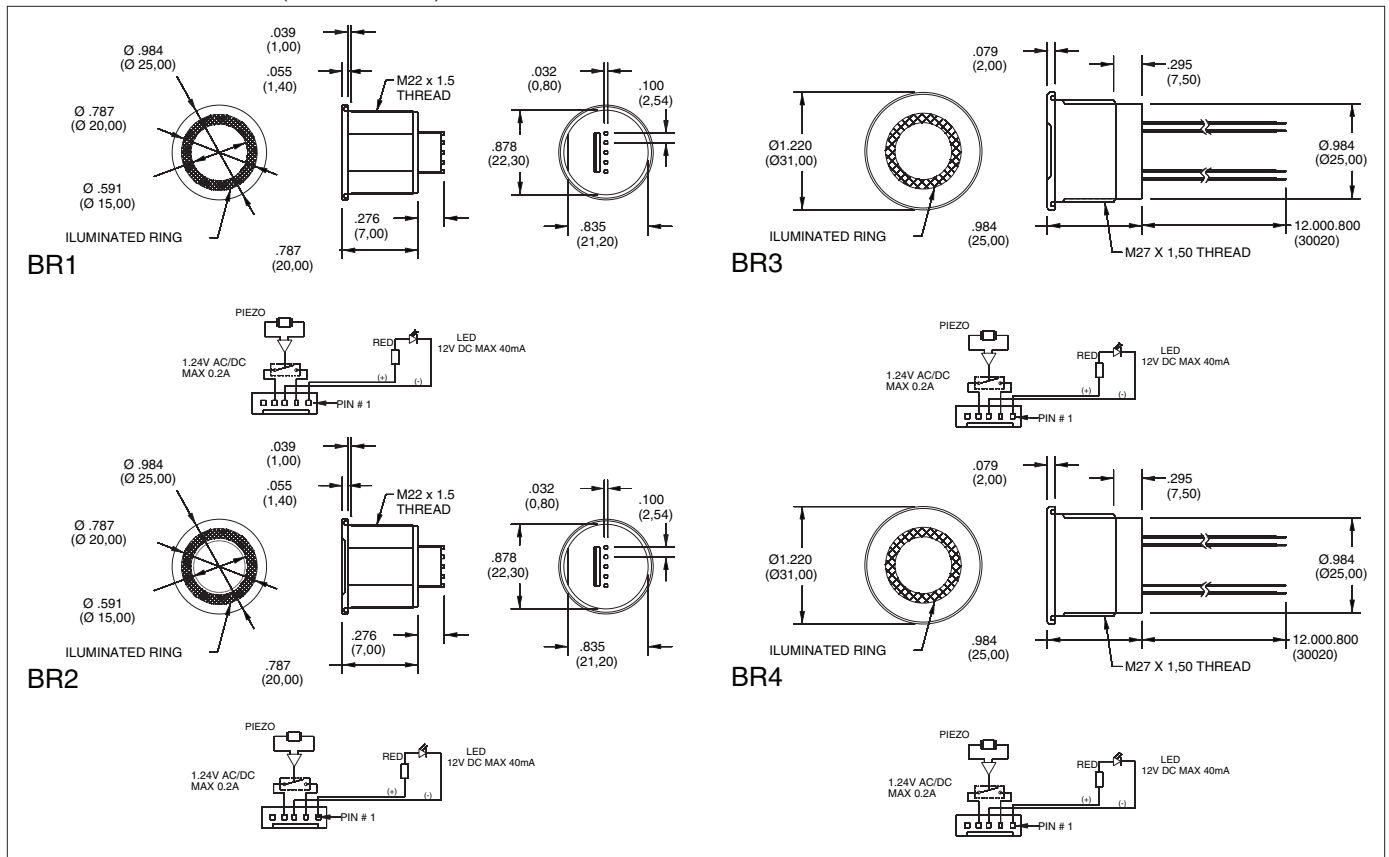
****This Option Not Available with LED Housing ML1 or ML2**

*****Only Available with Housing Types ML1 and ML2.**

Special colors, S.S. and legends available. Contact Grayhill for more information.

Keyboards and Keypads

DIMENSIONS In inches (and millimeters)



Keyboards and Keypads

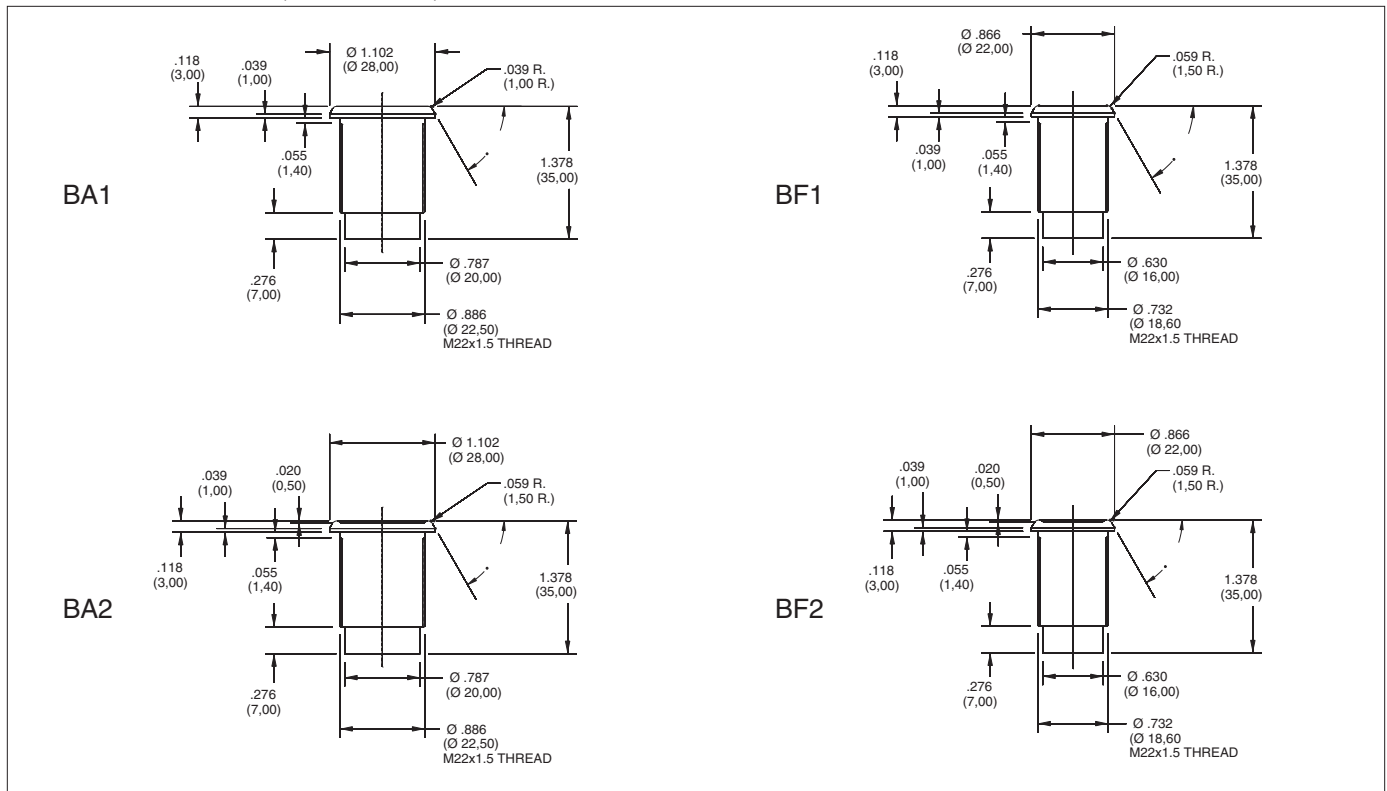
ORDERING INFORMATION, 37FBR

<p>37FBR1-CAAW1N</p>	<p>Grayhill Series Housing Type BR1, BR2 BR3, BR4 Switch Type C - Continuous, T - Toggle Circuitry A - N.O., B - N.C. Electrical Specification AW: 10-24V, .15A AC/DC, Wire: 1 - Black, 1 - Brown, 2 - Blue Housing Color: N - Natural Housing Material: 1 - Aluminum</p>	<p>Special colors, S.S. and legends available. Contact Grayhill for more information.</p>
----------------------	--	--

Available from your local Grayhill Component Distributor. For prices and discounts, contact a local Sales Office, an authorized local Distributor or Grayhill.

Special configurations and legends available. Contact Grayhill for more information.

DIMENSIONS In inches (and millimeters)



Keypads and Keypads

SPECIFICATIONS

Rated Voltage: 0-24V AC/DC

Rate Current: 0-24 amps.

Resistance "ON": <10 Ohms

Resistance "OFF": >5 megohms

Switch Capacitance: 25pF

Activation Force: 3-5N Typ.

Switch Action:

Momentary: 120 Msec. Pulse type

Continuous: Circuit is closed as long as switch is pressed, 30 sec. max.

Toggle: Switch changes position at each activation.

Lifecycle: >50 million

Operating Temp: -40°C- 85°C standard. (-40°C- 125°C upon request)

Storage Temp: -40°C- 125°C

EMI or RFI Effect: None

Protection System: IP68 according to IEC529

LED: 5Vdc, 1 max, 10 mA

Housing Material: Aluminum

ORDERING INFORMATION, 37FBA & 37FBF

<p>37FBA1-CAAW1N</p>	<p>Grayhill Series Housing Type BA1, BA2 BF1, BF2 Switch Type C - Continuous, T - Toggle Circuitry A - N.O., B - N.C. Electrical Specification AW: 10-24V, .15A AC/DC, Wire: 1 - Black, 1 - Brown, 2 - Blue</p>	<p>Special colors, S.S. and legends available. Contact Grayhill for more information.</p>
	<p>Housing Color: N - Natural Housing Material: 1 - Aluminum</p>	

Available from your local Grayhill Component Distributor. For prices and discounts, contact a local Sales Office, an authorized local Distributor or Grayhill.

Mouser Electronics

Authorized Distributor

Click to View Pricing, Inventory, Delivery & Lifecycle Information:

Grayhill:

[37FBR4-BAP1121N](#)