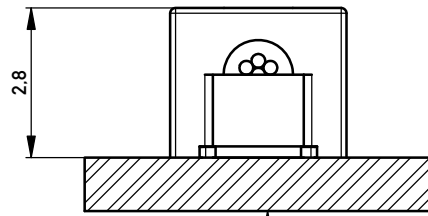
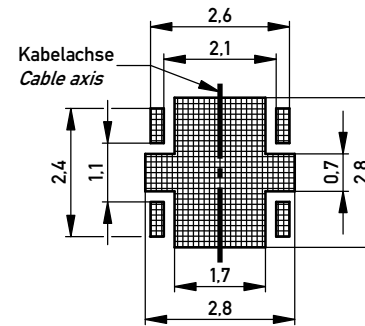


Terminal verpresst
Terminal pressed

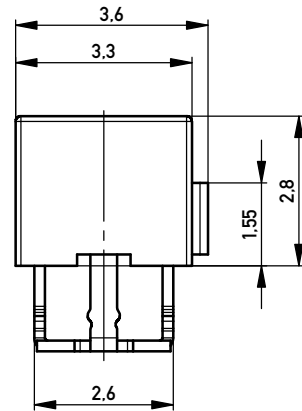
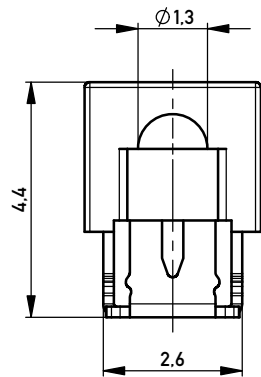
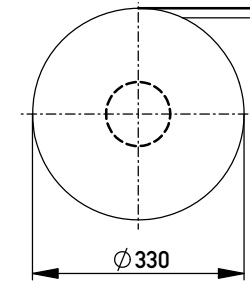


Leiterplatte
PCB

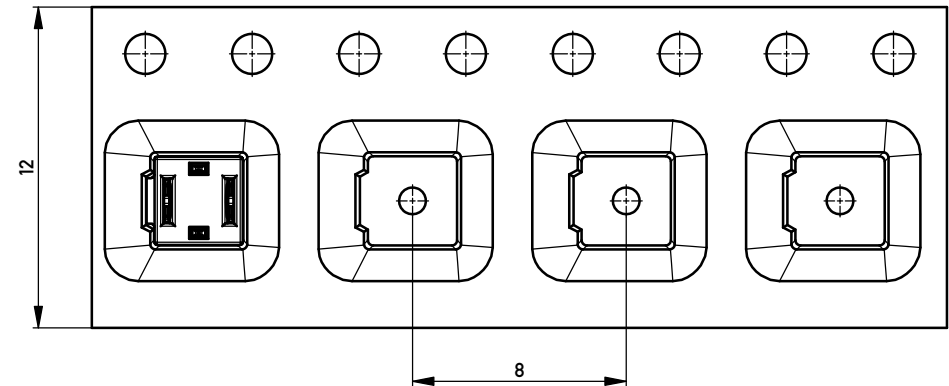
Leiterplatten-Layout Vorschlag
PCB-Layout Proposal



Verpackt im Gurt nach DIN IEC 60286-3
Tape on Reel Packaging according to DIN IEC 60286-3
Verpackungseinheit: 2000 Stück
Packaging unit: 2000 pcs

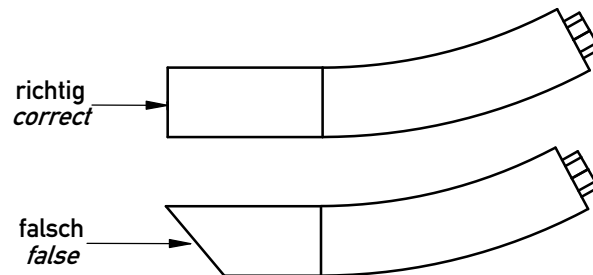
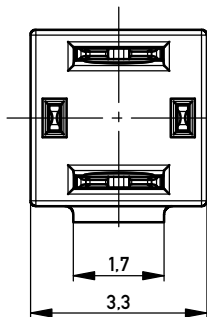


Abspulrichtung - Reel off Direction



Montagehinweis
Assembly Instruction

Es ist darauf zu achten, dass das Kabel senkrecht ($90^\circ \pm 5^\circ$) abgeschnitten wird!
It is important to ensure that the cable is cut off perpendicular ($90^\circ \pm 5^\circ$)!



*AWG 22/7 D 1,3 mit Kabelanschlag
**AWG 22/7 D 1,3 with cable stop*

Information: Farbe: grün color: green	Tolerances	 All Dimensions in mm	Scale	10:1
	All rights reserved. Only for Information. To ensure that this is the latest version of this drawing, please contact one of the ERNI companies before using.		Subject to modification without prior notice. Drawing will not be updated.	Designation Schneidklemmterminal* <i>IDC-Terminal*</i>
a Index	10.07.2014 Date	www.ERNI.com	474327	I A3
			Class	IDC-TERM

Mouser Electronics

Authorized Distributor

Click to View Pricing, Inventory, Delivery & Lifecycle Information:

[ERNI Electronics:](#)

[474327](#)