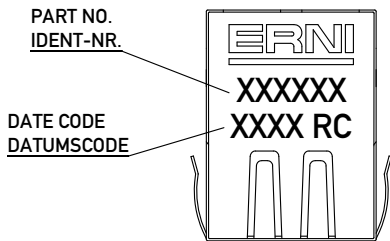
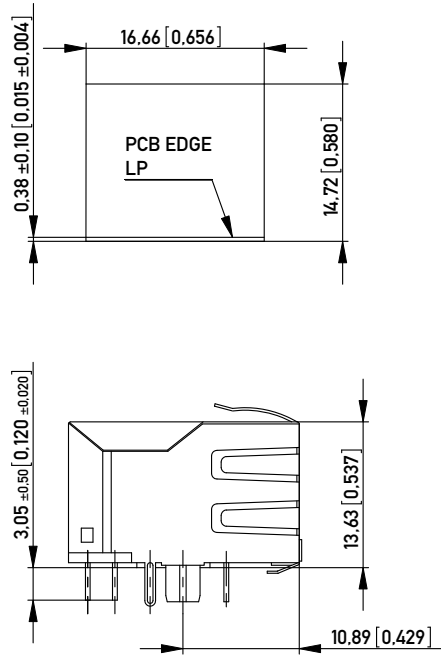
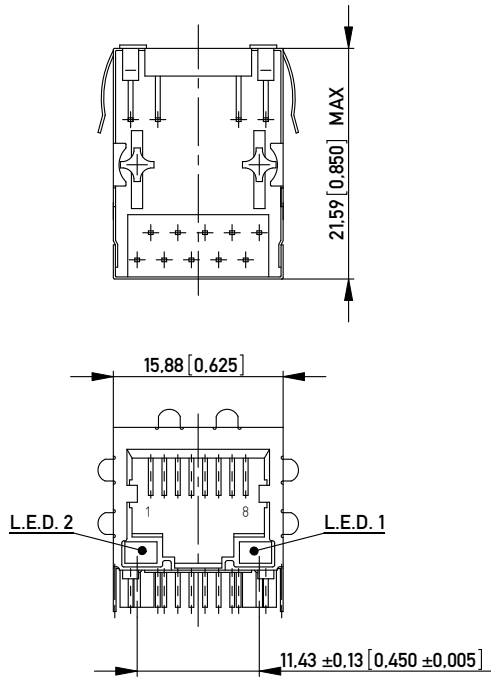


RECOMMENDED PANEL CUTOUT  
EMPFOHLENER FRONTPLATTEN AUSSCHNITT



NOTE 1: SIDE SHIELD TABS IN REAR 3.05mm (R)  
NOTE 2: PANEL GROUND FLANGES BOTH SIDES, TOP AND BOTTOM (GF5)  
NOTE 3: RoHS COMPLIANT; PRINT "RC" WITH DATE CODE

NO. IDENT. NR.	LED 2 LEFT LED 2 LINKS	LED 1 RIGHT LED 1 RECHTS	LED CODE
203224	YELLOW	GREEN	L1
203225	GREEN	YELLOW	L2
203226	GREEN	GREEN	L3
203227	YELLOW	YELLOW	L8
203228	ORANGE/GREEN	ORANGE/GREEN	L9

MATERIALS AND FINISH

HOUSING: GLASS FILLED POLYESTER UL 94 V-0 BLACK  
SHIELDING: Cu ALLOY, PLATED WITH Ni  
CONTACTS: PHOSPHOR BRONZE  
CONTACT FINISH: Au, 0.8 µm (30 µin), OVER Ni  
TERMINAL FINISH: Sn MATTE  
LED LENS: EPOXY  
MECHANICAL CHARACTERISTICS  
DURABILITY: 1000 MATING CYCLES  
ELECTRICAL CHARACTERISTICS  
CONTACT RESISTANCE: 30 MILLIOHMS MAX  
OPERATING TEMPERATURE: 0°C TO 70°C

Information: SCHEMATIC NUMBER: M5B02

Tolerances: All Dimensions in mm [in]

Scale: 2:1

Designation: MOD JACK - MJIM  
8C10T, 1x1, INT. MAG., LED ALIGNED

133866

1 (1/2)  
A3

www.ERNI.com

Class MJIM

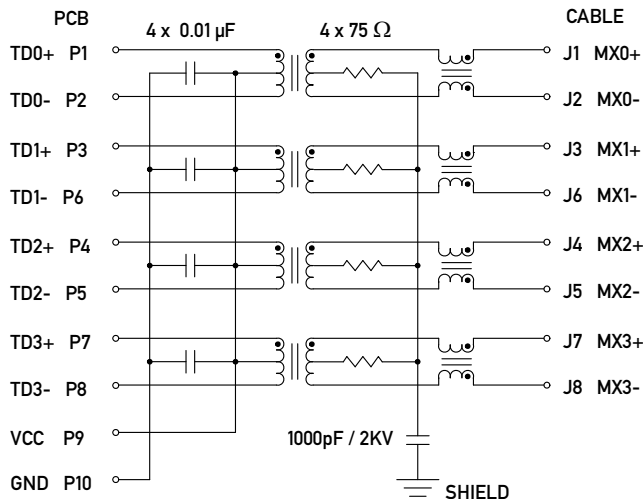
Copyright by ERNI GmbH. Proprietary notice pursuant to ISO 16016 to be observed.

All rights reserved. Only for Information. To insure that this is the latest version of this drawing, please contact one of the ERNI companies before using.

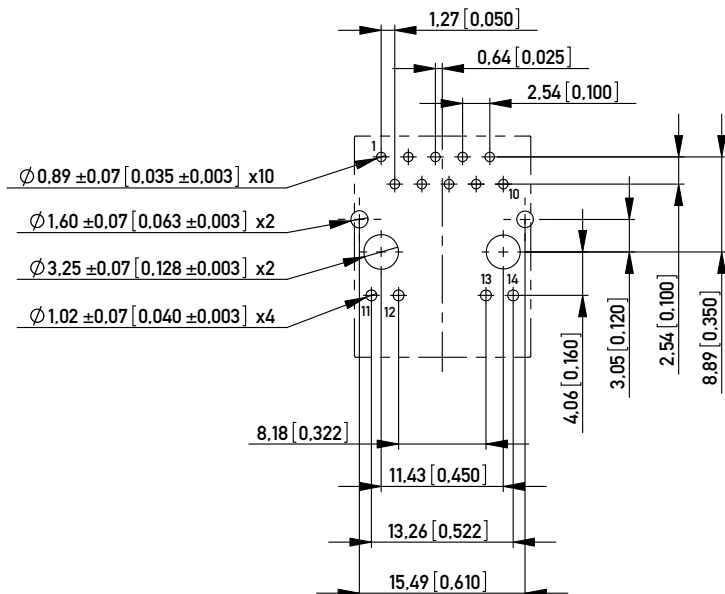
Subject to modification without prior notice. Drawing will not be updated.

D 02.05.2007  
Index Date

ELECTRICAL SCHEMATICS 1000 BASE T - M5B02  
ELEKTRISCHER SCHALTPLAN



RECOMMENDED PCB LAYOUT (COMPONENT SIDE VIEW)  
EMPFOHLENES LEITERPLATTEN-LAYOUT (BESTUECKUNGSSEITE)  
TOL ±0.05 [0.02] UNLESS NOTED



LED SPECIFICATIONS  
LED ANWEISUNG

MAGNETICS SPECIFICATIONS @ 25°C

TURN RATIO:	1CT:1CT ±3%
OCL(100 KHz, 0.1 V, 8 mA)	350 µH MIN
INSERTION LOSS:	
1-100 MHz	-1.1 dB MAX
RETURN LOSS:	
1-40 MHz	-18 dB MIN
60 MHz	-14 dB MIN
80 MHz	-12 dB MIN
100 MHz	-10 dB MIN
CROSSTALK:	
1-100 MHz	-35 dB TYP
CMR:	
0.1-30 MHz	-50 dB TYP
30-60 MHz	-40 dB TYP
60-100 MHz	-35 dB TYP
ISOLATION	1500 Vrms

COLOR FARBE	V <sub>f</sub> TYP	V <sub>f</sub> MAX	I <sub>f</sub> mA	CIRCUIT DIAGRAM SCHALTSKIZZE
YELLOW	2.1	2.5	20	
GREEN	2.2	2.5	20	
ORANGE/GREEN	2.05/2.2	2.5	20	

Information:	Tolerances		Scale	2:1
	All rights reserved. Only for Information. To insure that this is the latest version of this drawing, please contact one of the ERNI companies before using.		Designation <b>MOD JACK - MJIM</b> <b>8C10T, 1x1, INT. MAG., LED ALIGNED</b>	
Subject to modification without prior notice. Drawing will not be updated.			www.ERNI.com	133866
Class			MJIM	I (2/2) A3

Copyright by ERNI GmbH  
Proprietary notice pursuant to ISO 16016 to be observed.

# Mouser Electronics

Authorized Distributor

Click to View Pricing, Inventory, Delivery & Lifecycle Information:

[ERNI Electronics:](#)

[203225](#) [203228](#) [203224](#)