

# OPS882-HM

IPSS/OPS Digital Signage Player with 4th Gen Intel® Core™ i5 Processor, Intel®HM86, 4K2K and AVB (Audio Video Bridging) 802.1AS

## Features

- Open Pluggable Specification (OPS) compliance
- 4th gen Intel® Core™ i5 processor (Haswell Refresh)
- Intel® HM86 chipset
- 2 DDR3L-1600 SO-DIMM, up to 16GB
- 3 USB 3.0 ports and 2 PCIe Mini Card slots
- HDMI for 2nd display with 4K resolution
- Supports TPM 1.2
- AVB (Audio Video Bridging) feature
- NFC feature (optional)

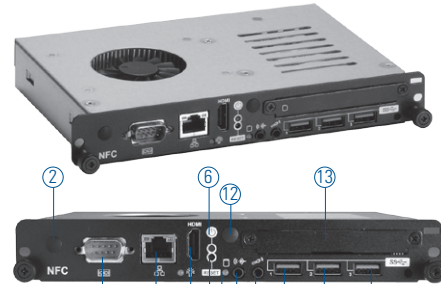


## Specifications

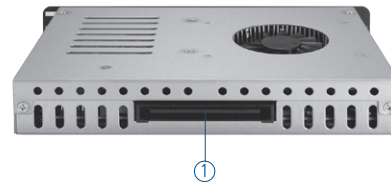
Main System	CPU	4th generation Intel® Core™ i5 processor (Haswell Refresh)
	Chipset	Intel® HM86
	System Memory	2 x 204-pin DDR3L-1600 SO-DIMM up to 16GB
	Storage	1 x 2.5" SATA HDD tray
	Watchdog Timer	255 levels, 1-255 sec.
	I/O	3 x USB 3.0
1 x 10/100/1000 Mbps Ethernet (Intel® i210, supports AVB feature)		
1 x HDMI		
1 x RS-232 (COM 2)		
1 x Power on/off button		
1 x Reset button		
1 x Audio Line-out		
1 x Audio Mic-in		
1 x DisplayPort (via OPS JAE interconnector) (Pure DP)		
2 x USB 2.0 (via OPS JAE interconnector)		
1x USB 3.0 (via OPS JAE interconnector)		
1 x Audio (Line-out, via OPS JAE interconnector)		
1 x UART (TX/RX, via OPS JAE interconnector)(COM 1)		
Indicator	1 x LED for system power on	
	1 x LED for HDD active	
WiFi	802.11 b/g/n (optional)	
Expansion Slot	1 x full-size PCIe Mini card (optional for mSATA or SIM slot)	
	1 x half-size PCIe Mini card	
Dimensions	200 mm (7.87") (W) x 119 mm (4.68") x 30 mm (1.18")	
Packing Dimension	270 mm (10.63") (W) x 197 mm (7.76") x 70 mm (2.76")	
Weight (net/gross)	1 kg (2.21lb)/ 1.5 kg (3.3 lb)	
Environmental	0°C ~ +45°C (+32°F ~ +113°F) (with airflow 1.2 m/s)	

## Packing

- 1 x Driver CD
- 1 x Thermal grease
- 2 x M2 x 5 screw
- 2 x M4 x 6 screw



1. JAE TX-25
2. Optional NFC
3. RS-232
4. Ethernet
5. HDMI output
6. Power Switch
7. Reset
8. HDD indicator
9. Audio (Line-out)
10. Audio (Mic-in)
11. 3 x USB 3.0
12. Optional antenna
13. 2.5" SATA HDD tray



## Optional OS Installation

- Windows® 7
- Windows® 8.1

## Ordering Information

### Standard

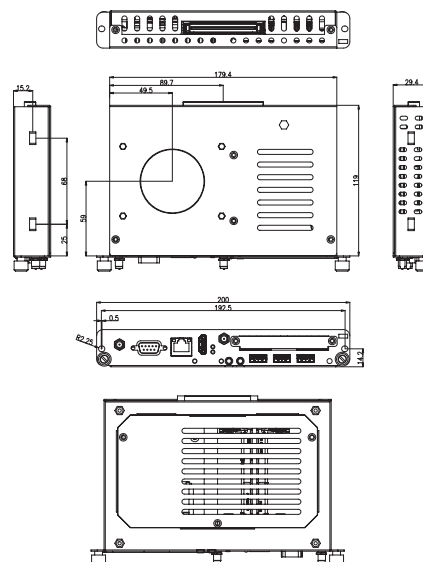
OPS882-HM-i5	OPS digital signage player with Intel® Core™ i5-4410E processor onboard
--------------	---

### Optional

AX93157	OPS docking board
AX93167	OPS docking board with 4K solution
NFC module	NFC antenna module kit

\* Specifications and certifications may vary contingent on options.

## Dimensions



# Mouser Electronics

Authorized Distributor

Click to View Pricing, Inventory, Delivery & Lifecycle Information:

[Axiomtek:](#)

[OPS882-HM-i5](#)