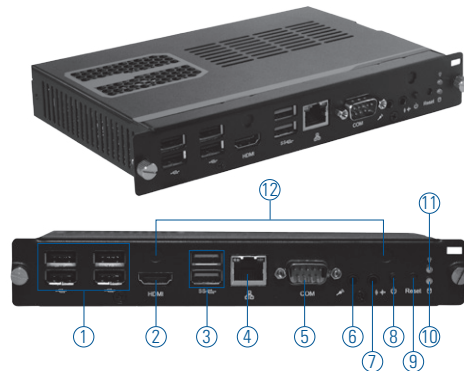


# OPS875

Open Pluggable Specification (OPS) Digital Signage Player with Intel® Core™ i7/i5/i3 Processor

## Features

- Open Pluggable Specification (OPS) compliance
- Socket G2 (rPGA988B) 3rd gen Intel® Core™ i7/i5/i3 processor
- Intel® HM76 chipset
- DDR3-1600 SO-DIMM, up to 8GB
- 2 USB 3.0 ports and 1 PCIe Mini Card slot
- Pluggable HDD for easy maintenance
- Easy to change DRAM
- HDMI for 2nd display



- |                |                     |                     |
|----------------|---------------------|---------------------|
| 1. USB 2.0 x 4 | 5. RS-232           | 9. Reset button     |
| 2. HDMI        | 6. Audio (Mic-in)   | 10. HDD indicator   |
| 3. USB 3.0 x 2 | 7. Audio (Line-out) | 11. Power indicator |
| 4. Ethernet    | 8. Power switch     |                     |



## Specifications

Main System	CPU	Socket G2 (rPGA988B) 3rd generation Intel® Core™ i7/i5/i3 processor
	Chipset	Intel® HM76
	System Memory	1 x 204-pin DDR3-1600 SO-DIMM, up to 8GB
	Storage	1 x 2.5" SATA HDD tray
	BIOS	AMI UEFI BIOS
	Watchdog Timer	255 levels, 1 ~ 255 sec.
I/O	2 x USB 3.0	
	4 x USB 2.0	
	1 x 10/100/1000 Mbps Ethernet (Intel® 82579LM)	
	1 x Power on/off button	
	1 x Reset button	
	1 x HDMI	
	1 x RS-232	
	1 x Audio (Line-out/Mic-in)	
	1 x DisplayPort (via OPS JAE interconnector) (Pure DP)	
	2 x USB 2.0 (via OPS JAE interconnector)	
	1 x USB 3.0 (via OPS JAE interconnector)	
	1 x HDMI/DVI (via OPS JAE interconnector)	
1 x Audio (Line-out, via OPS JAE interconnector)		
1 x UART (TX/RX, via OPS JAE interconnector)		
Indicator	1 x LED for system power on	
	1 x LED for HDD active	
WiFi	802.11 b/g/n (optional)	
Expansion Slot	1 x PCIe Mini Card or mSATA	
Dimensions	200 mm (7.87") (W) x 119 mm (4.68") (D)	
	x 30 mm (1.18") (H)	
Packing Dimensions	270 mm (10.63") (W) x 197 mm (7.76") (D)	
	x 70 mm (2.76") (H)	
Weight (net/gross)	1 kg (2.2 lb)/1.5 kg (3.3 lb)	
Environmental	0°C ~ +45°C (+32°F ~ +113°F) (With airflow 0.5m/s)	



▲ Rear view

## Optional OS Installation

Windows® 7, Windows® 8

## Ordering Information

### Standard

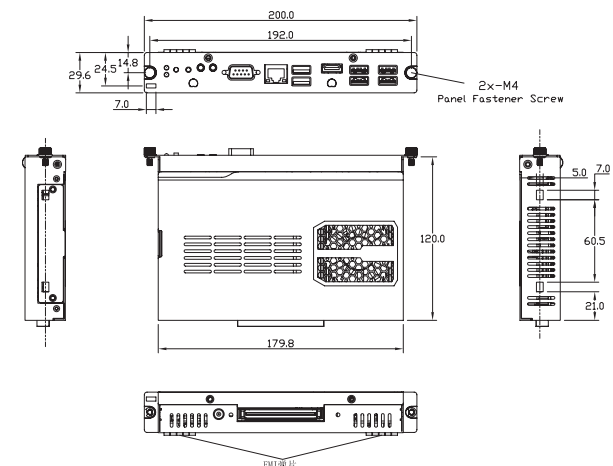
OPS875 OPS digital signage player with socket G2 3rd generation Intel® Core™ processor

### Optional

AX93169 OPS docking board

\* Specifications and certifications may vary contingent on options.

## Dimensions



# Mouser Electronics

Authorized Distributor

Click to View Pricing, Inventory, Delivery & Lifecycle Information:

[Axiomtek:](#)

[OPS875-NP](#)