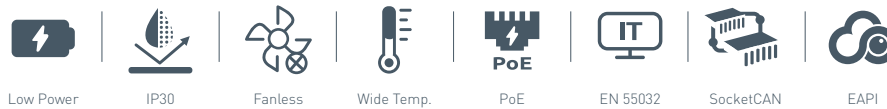
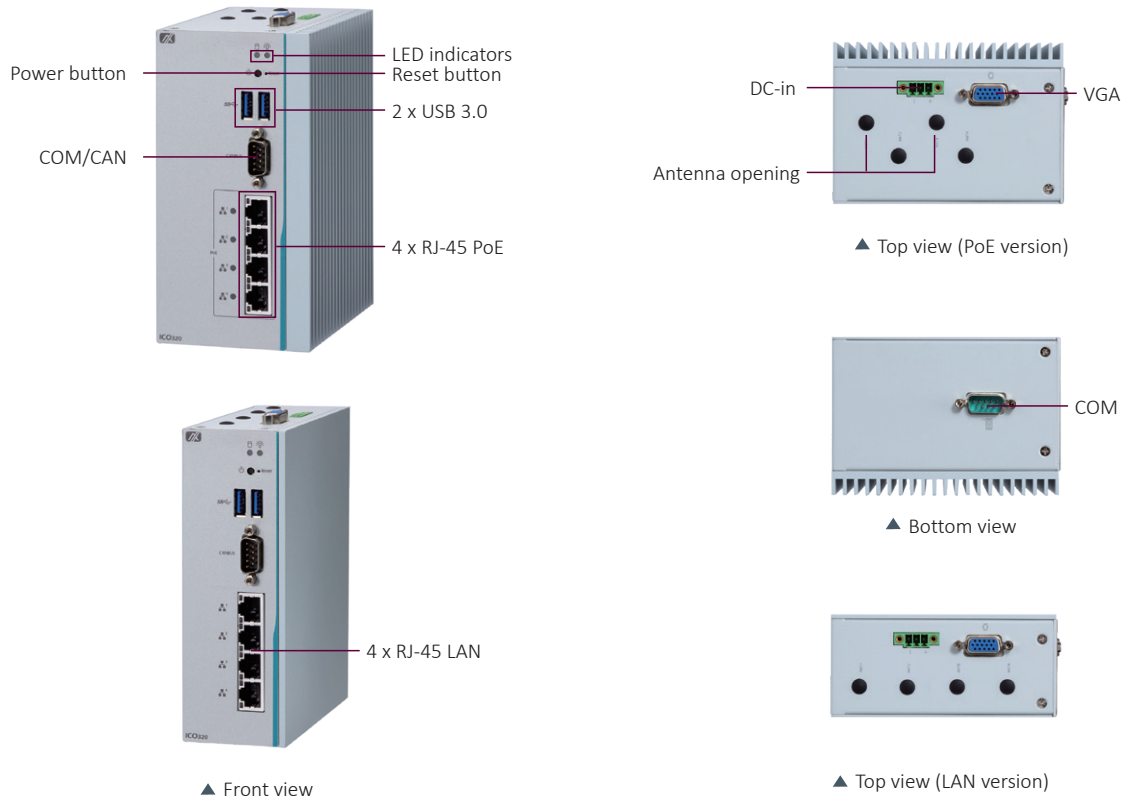


# IC0320-83C

Robust DIN-Rail Fanless Embedded System with Intel® Celeron® Processor N3350, COM, CAN, PoE LAN and DIO



## Features

- Cost-effective with fanless and cableless design
- Intel® Celeron® processor N3350 processor, reliable F1 stepping version CPU
- 4 RJ-45 Gigabit PoE ports
- 8-bit programmable DIO for IoT gateway applications
- Wide operating temperature range from -40°C to +70°C
- 12 to 24 VDC wide range power input
- Supports SocketCAN

## Specifications

Standard Color	Silver
Construction	Aluminum extrusion and heavy-duty steel, IP30
CPU	Intel® Celeron® N3350 2C @1.1 GHz, TDP: 6W
Chipset	SoC integrated
System Memory	1 x DDR3L-1866 SO-DIMM slot, up to 8GB
BIOS	AMI
TPM	TPM 2.0

## Specifications

System I/O Outlet	Serial	1 x DB9 serial console or RS-232/422/485 1 x DB9 RS-232/422/485 (by SKU optional)
	Display	1 x VGA
	USB	2 x USB 3.0
	Ethernet	4 x RJ-45 isolated* 10/100/1000 Mbps Ethernet (Intel® I210-IT) *isolation voltage: 1.5 kV
	PoE	PoE power output max. 30W 802.3af class 2, 7.5W, max. 4 ports 802.3af class 3, 15.4W, max. 2 ports 802.3at class 4, 30W, max. 1 port
	DIO	1 x DB9 8-bit programmable DIO
	CAN	1 x DB9 CANBus 2.0 A/B; supports SocketCAN (by SKU optional)
	Others	4 x Antenna opening
Expansion Interface	1 x half-size Rev.1.2 PCI Express Mini Card slot: mSATA/USB/PCIe 1 x full-size Rev.1.2 PCI Express Mini Card slot: USB/PCIe with SIM socket	
Storage	SATA Drive	1 x mSATA (occupied 1 x PCI Express Mini Card slot) 1 x internal 2.5" SATA drive (9.5 mm height)
Watchdog Timer	255 levels, 1 to 255 sec.	
Power	Power Supply	1 x DC power input with terminal block
	Power Consumption	PoE SKU**: 12-24VDC, 4.05-2.05A LAN SKU**: 12-24VDC, 1.6-0.81A
PoE (PSE, Power Sourcing Equipment)*	4 x RJ-45 PoE, output max. 30W supports PoE & PoE+ • PoE (802.3af 15.4W/port) • PoE+ (802.3at 30W/port)	
System Indicator	1 x LED indicator for SATA drive activity 1 x LED indicator for power	
Operating Temperature	-40°C to +70°C (-40°F to +158°F) with W.T. peripheral***	
Relative Humidity	0% to 95% relative humidity, non-condensing	
Vibration Endurance	2 Gms with storage (5 to 500Hz, X/Y/Z direction; random, operating)	
Dimensions (W x D x H)	PoE SKU**: 77 x 110 x 155 mm (3.03" x 4.33" x 6.1") LAN SKU**: 48 x 110 x 155 mm (1.88" x 4.33" x 6.1")	
Weight (net/gross)	PoE SKU**: 1.2 kg (2.2 lb)/1.70 kg (3.3 lb) LAN SKU**: 1.0 kg (2.2 lb)/1.50 kg (3.3 lb)	
Certifications	CE (Class A), FCC (Class A) compliant	
EMC	CE/FCC	EN 55032 (Class A), EN 55024, FCC part 15 B (Class A)
EOS Support	Windows® 10 IoT, Linux	
Software Support	Axiomtek EAPI	

\* For PoE SKU

\*\* See ordering info

\*\*\* Wide Temperature. All W.T. supported products have to be sorted by Axiomtek.



## Ordering Information

### Standard

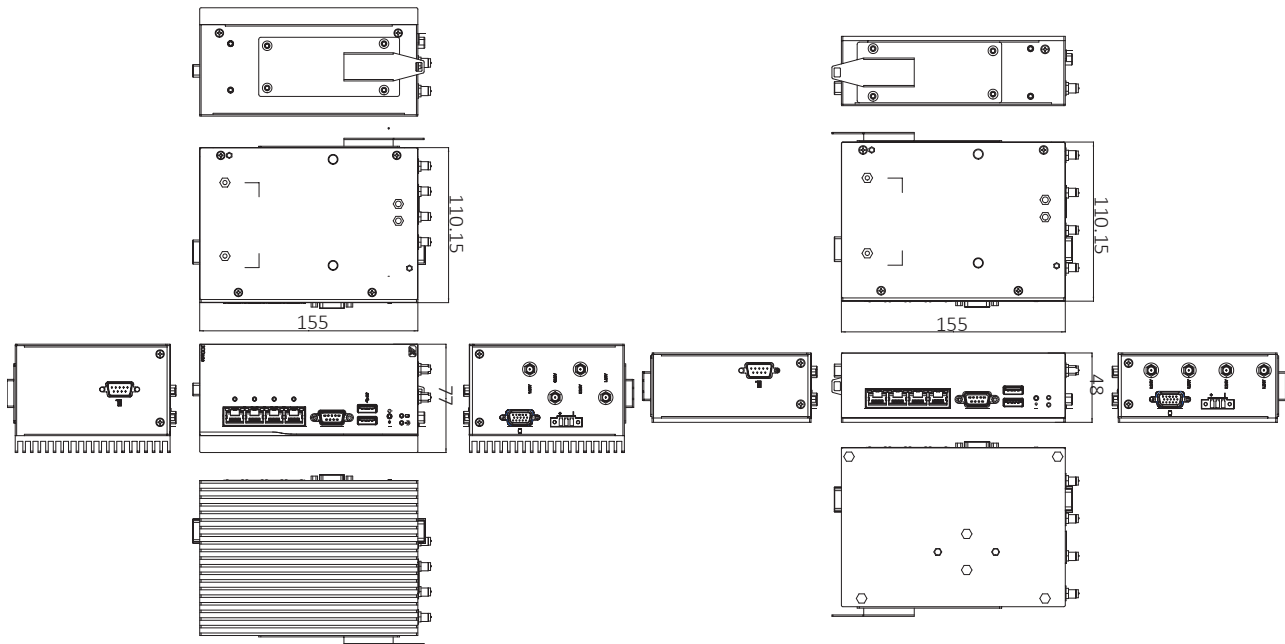
ICO320-83C-N3350-4POECAN-WT-DC (P/N: E22C320106)	Robust DIN-rail fanless embedded system with Intel® Celeron® processor N3350 (1.1 GHz), 1 COM, 4 RJ-45, PoE, GbE LAN, 2 USB, VGA, CAN, operating temperature from -40°C to 70°C, TPM 2.0 reserved, and SocketCAN supported	PoE SKU
ICO320-83C-N3350-4LANCOM-CAN-WT-DC (P/N: E22C320107)	Robust DIN-rail fanless embedded system with Intel® Celeron® processor N3350 (1.1 GHz), 1 COM, 4 RJ-45, GbE LAN, 2 USB, VGA, CAN, operating temperature from -40°C to 70°C, TPM 2.0 reserved, SocketCAN supported	Non-PoE LAN SKU
ICO320-CSTD-1 (P/N: E22C320108)	Robust DIN-rail fanless embedded system with Intel® Celeron® processor N3350 (1.1 GHz), 2 COM, 4 RJ-45, GbE LAN, 2 USB, VGA, operating temperature from -40°C to 70°C, TPM 2.0 reserved, and SocketCAN supported	Non-PoE LAN SKU

### Optional

AC to DC Adapter	509000001500	PWS FSP120-AAAN3(9NA1206647) FSP 120W
------------------	--------------	---------------------------------------

\* Specifications and certifications may vary based on different requirements.

## Dimensions



# Mouser Electronics

Authorized Distributor

Click to View Pricing, Inventory, Delivery & Lifecycle Information:

[Axiomtek:](#)

[ICO320-83C-N3350-4LAN-CAN-WT-DC](#) [ICO320-83C-N3350-4LAN-COM-WT-DC](#) [ICO320-83C-N3350-4POE-CAN-WT-DC](#) [ICO320-83C-N3350-4POE-COM-WT-DC](#)