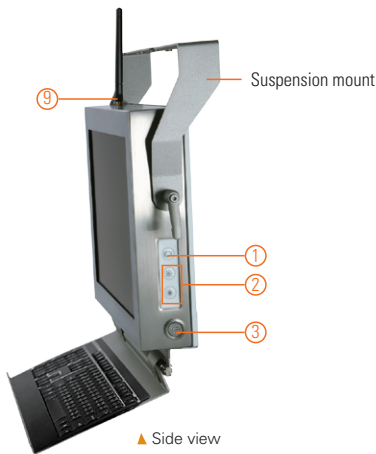


GOT812LR-834

12.1" XGA TFT IP66-rated Stainless Steel Fanless Touch Panel Computer with Intel® Atom® Processor E3827 and High Brightness (-20°C to +55°C)

Features

- Sunlight readable 12.1" TFT LCD with low reflection and high brightness (optional)
- IP66 (NEMA 4X) water/dust/corrosion-proof design
- Stainless steel front bezel enclosure with type 316
- Wide operating temperature range of -20°C to +55°C
- Fanless system with Intel® Atom® processor E3827
- Optional Wi-Fi/3G kit for wireless network connectivity
- Flexible and expandable M12 type I/O connections
- Supports suspension and VESA mount



1. Backlight switch
2. Brightness adjust
3. Power on/off
4. DC power connector
5. 1 x RS-232/422/485
6. 1 x RS-232/422/485
7. 1 x LAN
8. 2 x USB 2.0
9. 3 x Wi-Fi/3G antenna (optional, only for RF version)



Introduction

The 12.1-inch GOT812LR-834 is specially designed for heavy-duty & outdoor applications. Its IP66-rated stainless steel housing protects entire system from outside damage of water, powder and dust. It also supports sunlight readable technology and a wide operating temperature range of -20°C to +55°C. Thus, this robust unit is specifically designed for high humidity, dusty or wet spaces in food factories or kitchens and more harsh applications.

IP66-Sealed System

The 12.1" GOT812LR-834 adopts a water/dust-proof housing design and five IP66-rated connectors. It passes entire system IP66 test by SGS and verified salt mist test.

Sunlight Readable Design (optional)

Its sunlight readable technology with LED backlight and 1000 nits of brightness and low reflective touchscreen allow the screen legible even under strong sunlight.

Wide Temperature (-20°C to +55°C) & Anti-vibration (2G) Design

The 12.1" industrial touch panel PC supports a wide operating temperature range from -20°C to +55°C. Besides, the patent of anti-vibration for SSD ensures system reliability and stability.

Specifications

Front Bezel	Stainless type 316	
LCD Panel	Display Type	12.1" XGA TFT LCD (GOT812LR) 12.1" SVGA TFT LCD (GOT812L)
	Brightness (cd/m ²)	1000 nits (GOT812LR) 500 nits (GOT812L)
	Resolution	1024 x 768 (GOT812LR) 800 x 600 (GOT812L)
	Viewing Angle (H/V)	160°/140° (GOT812LR/GOT812L)
	Main System	CPU
	Chipset	SoC integrated
	System Memory	1 x 204-pin DDR3L-1333 SO-DIMM dual channel, up to 8GB
	BIOS	AMI with Axiomtek standard features; such as, SmartView, Ethernet Boot ROM (RPL & PXE), customer CMOS backup
	Storage	1 x 2.5" SSD 1 x CFast™
	Watchdog Timer	255 levels, 1 to 255 sec.
	Onboard Graphics	Integrated in Intel® GFX

Specifications

I/O Connector	2 x RS-232/422/485 (default RS-232) 2 x USB 2.0 1 x 10/100/1000 Mbps Ethernet (X-Coded)
Expansion Interface	2 x PCI Express Mini Card slot
Touchscreen	5-wire resistive low reflective type
Power Input	9 to 36 VDC
Power Consumption	47W
Dimensions	304 mm (11.97") (W) x 58.5 mm (2.3") (D) x 248 mm (9.76") (H)
Packing Dimensions	380 mm (14.96") (W) x 190 mm (7.48") (D) x 430 mm (16.93") (H)
Weight (net/gross)	4.6 kg (10.14 lb)/6.2 kg (13.67 lb)
Operating Temperature	-20°C to +55°C (-4°F to +131°F)
Relative Humidity	10% to 95% @ +40°C, non-condensing
Operation Vibration	2G, 5 - 500Hz, random for 2.5" SSD 2G, 5 - 500Hz, random for CompactFlash™
Certifications	CE

* W.T.: Wide Temperature. All W.T. supported products have to be sorted by Axiomtek.

Packing List

1 x GOT812LR-834
1 x Driver DVD
1 x DC cable

Ordering Information

GOT812LR-834-DC	12.1" XGA fanless IP66-rated stainless steel touch panel computer with Intel® Atom® E3827, sunlight readable LCD (1000 nits), 5-wire resistive touch screen and 9 to 36 VDC power input
GOT812LR-834-RF-DC	12.1" XGA fanless IP66-rated stainless steel touch panel computer with Intel® Atom® E3827, sunlight readable LCD (1000 nits), 5-wire resistive touch screen, 9 to 36 VDC power input and Wi-Fi or 3G

*Specifications and certifications may vary based on different requirements.

Optional Accessories

822B8120070E	GOT812 keyboard bracket (with keyboard)
822B8120080E	GOT812 suspension kit
594B8122100E	Water-proof COM cable (1.8 m)
594B8122820E	Water-proof USB cable (1.8 m)
594B8122720E	Water-proof LAN cable (1.8 m)
50966224010E	Adapter 24V 90W, M12 A-code 5P FSP090AAAN3

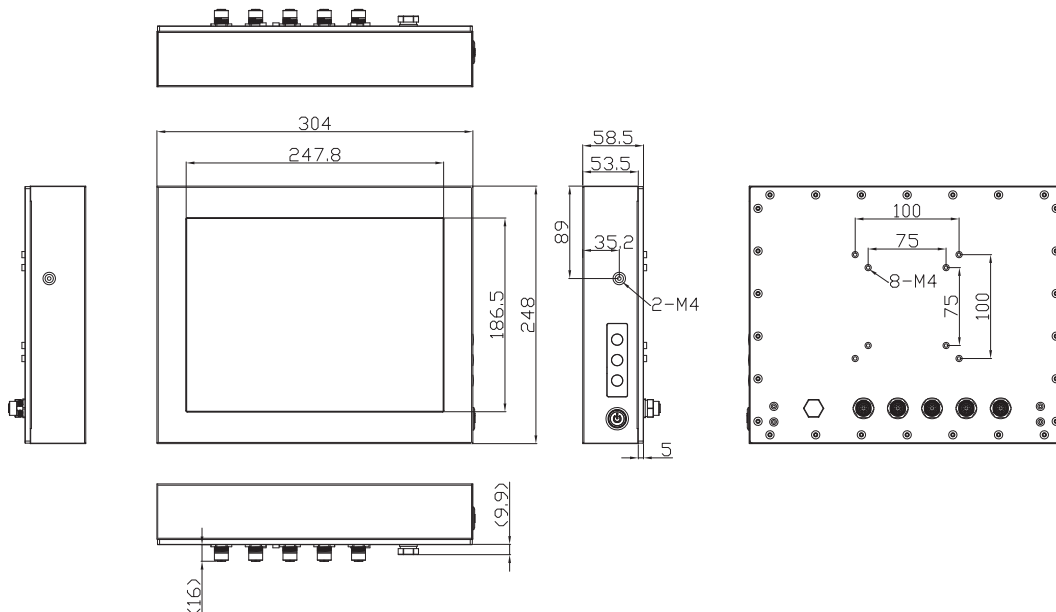
Optional EOS Installation

WES 7
WE8S
Windows® 10 IoT

Optional OS Installation

Windows® 7
Windows® 8/8.1
Windows® 10

Dimensions



Mouser Electronics

Authorized Distributor

Click to View Pricing, Inventory, Delivery & Lifecycle Information:

[Axiomtek:](#)

[GOT812LR-834-RF-DC](#) [GOT812L-834-DC](#) [GOT812LR-834-DC](#) [GOT812L-834-RF-DC](#)