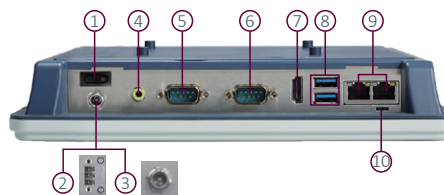


# GOT5840T-845

8.4" SVGA TFT Fanless Touch Panel Computer with Intel® Celeron® Processor N3060



1. Power switch (ATX)
2. Power input connector (screw)
3. Power input connector (phoenix)
4. Audio (Line-out)
5. 1 x RS-232/422/485
6. 1 x RS-232
7. HDMI
8. 2 x USB 3.0
9. 2 x RJ-45
10. AX/ATX selectable switch



Fanless



Low Power



DDR3L



AiRD



IP65



Dual-View

## Features

- 8.4" SVGA TFT LCD display with LED backlight
- Fanless cooling system with Intel® Celeron® processor N3060 (up to 2.48 GHz)
- Ultra slim and super light design
- WLAN module and internal antenna
- 2 PCI Express Mini Card slots
- 2 GbE LAN, 2 USB and 2 COM
- Supports optional panel mount/wall mount/VESA/arm/desktop stand
- Plastic and IP65-rated front bezel

## Introduction

The GOT5840T-845 adopts a modern, super sleek and fanless design and is equipped with a 8.4" TFT LCD as well as Intel® Celeron® processor N3060 (Braswell). For wireless network connection, the GOT5840T-845 offers 2 PCI Express Mini Card slots. By just plugging in the mini card WLAN card, customers can have instant access to wireless LAN/GPRS/GSM/4G environments. Besides, it provides two types of power input. One is DC power input with terminal block connector, and another is AC power adapter with screw type connector.

### Super Slim & Ultra Lightweight Design

The GOT5840T-845 is a super slim touch panel computer for space-limited environment with its thickness of 45 mm and weight of 1.3 kg only, which make it installed everywhere.

### Built-in Internal WLAN Antenna

The GOT5840T-845 provides 2 PCI Express Mini Card slots and a built-in WLAN antenna for wireless network connections. By simply plugging in the wireless LAN card, customers can use the GOT5840T-845 in a wireless LAN/GPRS/GSM/4G environments.

### Aluminum Back Chassis with Excellent Thermal Solution

With Axiomtek's patent for plastic plus aluminum mechanism design, the GOT5840T-845 can dissipate the heat easily and keep the system operation stable.



## Specifications

Front Bezel	IP65, NEMA 4 rugged protection, plastic front bezel	
LCD Panel	Display Type	8.4" SVGA TFT LCD with LED backlight
	Brightness (cd/m <sup>2</sup> )	350 nits
	Resolution	800 x 600
	Viewing Angel (H/V)	160°/140°
Main System	CPU	Intel® Celeron® processor N3060 2 cores (up to 2.48 GHz)
	System Memory	1 x 204-pin DDR3L-1600 MHz SO-DIMM, up to 8GB
	BIOS	AMI UEFI BIOS
	Storage	1 x mSATA
	Watchdog Timer	255 levels, 0 to 255 sec.
Onboard Graphics	Integrated in Intel® GFX	
I/O Connector	1 x RS-232	
	1 x RS-232/422/485 (default RS-232)	
	1 x HDMI	
	1 x Switch for power on/off	
	1 x AT/ATX mode selection switch	
	2 x USB 3.0	
	1 x Audio (Line-out)	
2 x 10/100/1000 Mbps Ethernet (Intel® I210-AT)		
TPM	N/A	
Expansion Interface	1 x full-size PCI Express Mini Card slot with mSATA	
	1 x full-size PCI Express Mini Card slot with SIM	
Touchscreen	5-wire resistive touch	
Power Input	9 to 36 VDC with over current protection fuse	
Power Consumption	25W	
Dimensions (W x D x H)	250.7 x 45.8 x 204.7 mm (9.87" x 1.80" x 8.06")	
Packing Dimensions (W x D x H)	380 x 100 x 280 mm (14.96" x 3.94" x 11.02")	
Weight (net/gross)	1.3 kg (2.87 lb)/2.25 kg (4.96 lb)	
Environment	Operating temperature: 0° to +50°C (+32°F to +122°F)(with W.T. DRAM/HDD in airflow condition)	
	0° to +45°C (+32°F to +113°F) (with W.T. DRAM)	
	Relative humidity: 20% to 90% @ +40°C; non-condensing	
Operation vibration: 2G, 5 to 500Hz, random for mSATA		
Certificate	CE, FCC, and UL60950-1	

## Ordering Information

### Standard

GOT5840T-845 N-DC (P/N:E225840129)	8.4" SVGA fanless touch panel computer with Intel® Celeron® processor N3060, 5-wire resistive touch screen and 9 to 36 VDC power input (terminal block connector)
------------------------------------	---

### Optional

#### Wi-Fi + Bluetooth kit

E29R131105	Panel mount kit
E29R131103	Wall mount kit
E226171106	Stand kit
E29R334100	RFID kit

\* Specification and certifications are based on requirements and may vary.

---

## Packing List

1 x GOT5840T-845

1 x Phoenix connector (GOT5840T-845 24V DC)

---

## Optional EOS Installation

WES7

WE8S (64-bit)

Windows® 10 IoT Enterprise (64-bit)

---

## Optional OS Installation

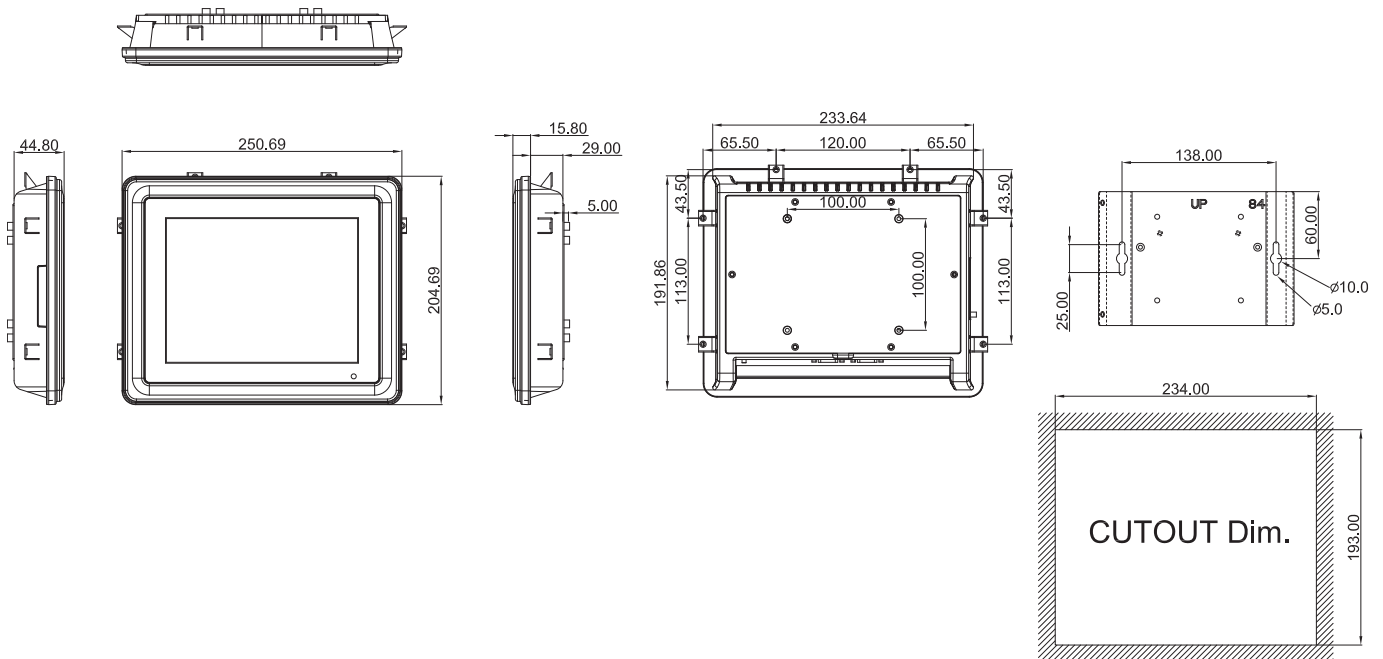
Windows® 7

Windows® 8.1 (64-bit)

Windows® 10

---

## Dimensions



# Mouser Electronics

Authorized Distributor

Click to View Pricing, Inventory, Delivery & Lifecycle Information:

[Axiomtek:](#)

[GOT5840T-845-J-US](#) [GOT5840T-845-DC](#) [GOT5840T-845 J-US](#) [GOT5840T-845 DC](#) [GOT5840T-845 N-DC](#)