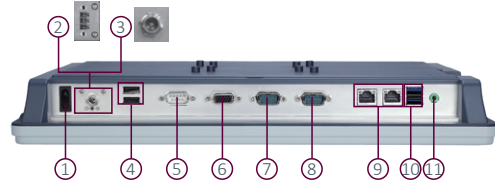


# GOT5152T-834

15" XGA TFT Fanless Touch Panel Computer with Intel® Celeron® Processor J1900



- |   |                           |
|---|---------------------------|
| 1. Power switch (ATX)                   | 6. VGA                    |
| 2. Terminal block for DC power input or | 7. COM 1 (RS-232/422/485) |
| 3. Screw conn. w/ AC power adapter      | 8. COM 2 (RS-232/422/485) |
| 4. USB 2.0 x 2                          | 9. Ethernet x 2           |
| 5. COM 3 (RS-232/422/485)               | 10. USB 3.0 x 2           |
|   | 11. Audio (Line-out)      |



▲ Side view



▲ Desktop stand



▲ CFast™ slot with protective cover



Fanless



Low Power



DDR3L



AiRD



IP65



Dual-View

## Features

- 15" XGA TFT LCD display with LED backlight
- Fanless cooling system with Intel® Celeron® processor J1900
- WLAN module and internal antenna
- 2 GbE LAN, 4 USB, and 3 COM
- PCI Express Mini Card slots for easy expansion
- Supports panel mount/wall mount/VESA arm
- Supports RFID (optional)
- Plastic and IP65-rated front bezel



## Introduction

Axiomtek GOT5152T-834 utilizes the fanless technology with Intel® J1900 quad cores CPU. Running Windows or Linux, this panel system provides great performance for many commercial and industrial applications. This slim design incorporates a 15" 420 nits LCD display providing a bright XGA (1024 x 768) touch screen. Wireless communications is supported with a built-in antenna within the bezel, ready for your choice of optional PCI Express Mini Card. Using an all industrial-grade IP-65 rated design, weighted 7 to 11 lbs (depending on configuration), this 15" fanless touch panel computer provides an attractive cost, low power, high performance, reliable quality, slim size and low weight, all new for more demanding applications.

### Built-in Internal WLAN Antenna

The GOT5152T-834 provides 2 PCI Express Mini Card slots and a built-in WLAN antenna for wireless network connections. By simply plugging in the wireless LAN cards, customers can use the GOT5152T-834 in a wireless LAN/GPRS/GSM/4G environments.

### Aluminum Back Chassis with Excellent Thermal Solution

With Axiomtek's patent for plastic plus aluminum mechanism design, the GOT5152T-834 can dissipate the heat easily and keep the system operation stable.

## Specifications

|                                |  |   |  |
|--------------------------------|--|---|--|
| Front Bezel                    | IP65, NEMA 4 rugged protection, plastic front bezel                      |   |  |
| LCD Panel                      | Display Type   | 15" XGA TFT LCD with LED backlight                  |  |
|                                | Brightness (cd/m <sup>2</sup> )  | 420 nits  |  |
|                                | Resolution   | 1024 x 768  |  |
|                                | Viewing Angel (H/V)  | 160°/140°   |  |
| Main System                    | CPU  | Intel® Celeron® processor J1900 4 cores             |  |
|                                | System Memory  | 1 x 204-pin DDR3L-1333 MHz SO-DIMM, up to 8GB       |  |
|                                | BIOS   | AMI UEFI BIOS                                       |  |
|                                | Storage  | 1 x 2.5" 7/9.5 mm SATA HDD<br>1 x CFast™ or mSATA   |  |
|                                | Watchdog Timer   | 255 levels, 0 to 255 sec.                           |  |
| I/O Connector                  | Onboard Graphics   | Integrated in Intel® GFX                            |  |
|                                | 3 x RS-232/422/485 (default RS-232, COM 1/2/3)                           |   |  |
|                                | 1 x VGA  |   |  |
|                                | 1 x Audio (Line-out)   |   |  |
|                                | 2 x USB 2.0  |   |  |
| TPM                            | 2 x USB 3.0  |   |  |
|                                | 2 x 10/100/1000 Mbps Ethernet (Intel® i210IT)                            |   |  |
|                                | N/A  |   |  |
|                                | Expansion Interface  | 1 x full-size PCI Express Mini Card slot with mSATA |  |
|                                |  | 1 x full-size PCI Express Mini Card slot with SIM   |  |
| Touchscreen                    | 5-wire resistive touch screen  |   |  |
| Power Input                    | DC version: 9 to 36 VDC with over-current protection fuse                |   |  |
| Power Consumption              | 36 W   |   |  |
| Dimensions (W x D x H)         | 387.9 x 54.6 x 307.7 mm (15.27" x 2.14" x 12.11")                        |   |  |
| Packing Dimensions (W x D x H) | 510 x 105 x 385 mm (20.08" x 4.13" x 15.16")                             |   |  |
| Weight (net/gross)             | 3.2 kg (7.05 lb)/5.1 kg (11.24 lb)                                       |   |  |
| Environment                    | Operating temperature:   |   |  |
|                                | 0°C to +50°C (+32°F to +122°F) (with W.T. DRAM/HDD in airflow condition) |   |  |
|                                | 0°C to +45°C (+32°F to +113°F) (with W.T. DRAM/HDD)                      |   |  |
|                                | Relative humidity: 20% to 90% @ +40°C; non-condensing                    |   |  |
| Certificate                    | Operation vibration: 2G, 5 to 500 Hz, random for CFast™                  |   |  |
|                                | CE   |   |  |

\* Specification and certifications are based on options and may vary.

\*\* W.T.: Wide Temperature. All W.T. supported products have to be sorted by Axiomtek.

## Ordering Information

### Standard

|                                     |  |
|-------------------------------------|--|
| GOT5152T-834-DC<br>(P/N:E225152111) | 15" XGA fanless touch panel computer with Intel® Celeron® processor J1900, 5-wire resistive touch screen, and 9 to 36 VDC power input (terminal block connector) |
|-------------------------------------|--|

### Optional

Wi-Fi + Bluetooth kit

Speaker kit

|            |           |
|------------|-----------|
| E226171106 | Stand kit |
|------------|-----------|

|            |          |
|------------|----------|
| E29R334100 | RFID kit |
|------------|----------|

\* Specification and certifications are based on options and may vary.

## Packing List

1 x GOT5152T-834  
 1 x Panel mount kit  
 1 x Wall mount kit  
 1 x Phoenix connector

## Optional EOS Installation

WES7

WE8S

Windows® 10 IoT Enterprise

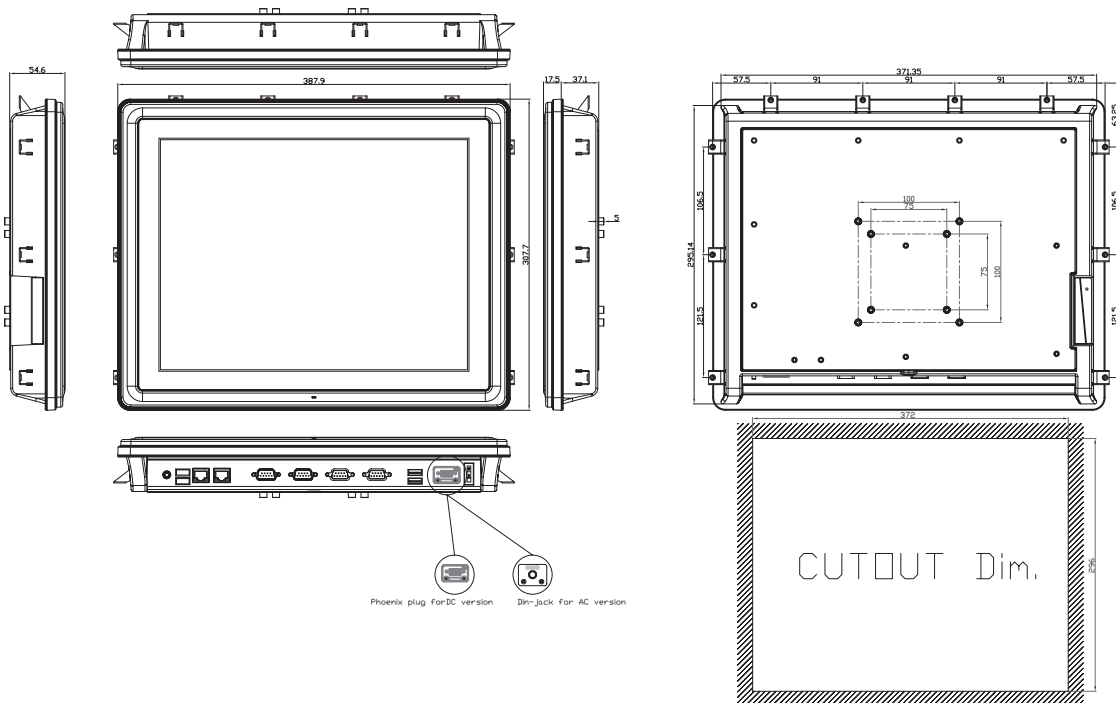
## Optional OS Installation

Windows® 7

Windows® 8.1

Windows® 10

## Dimensions



# Mouser Electronics

Authorized Distributor

Click to View Pricing, Inventory, Delivery & Lifecycle Information:

[Axiomtek:](#)

[GOT5152T-834-N-DC](#) [GOT5152T-834-N-J-US](#) [GOT5152T-834-J-US](#) [GOT5152T-834-DC](#) [GOT5152T-834 DC](#)  
[GOT5152T-834 J-US](#) [GOT5152T-834 N-DC](#)