

AIE900-XXN NEW

Fanless Edge AI System with NVIDIA® Jetson Xavier™ NX, 1 HDMI, 1 GbE LAN, 4 GbE PoE, 8-CH DI/DO, and 2 COM/CAN for 5G and AMR Applications

Features

- NVIDIA® Jetson Xavier™ NX with 384-core NVIDIA Volta™ GPU
- 1 M.2 Key B slot for 5G
- Wide power input range of 9 to 36 VDC (ignition by option)
- Supports four PoE for GigE cameras and LiDAR connectivity
- -30°C to +60°C operating temperature range
- Supports device management and optional out-of-band service powered by Allxon
- Optional SerDes FPD-LINK III

NVIDIA® Jetson Xavier™ NX will be available until 2026*
The official end of life notice will be sent at least 8 months before the last shipment.

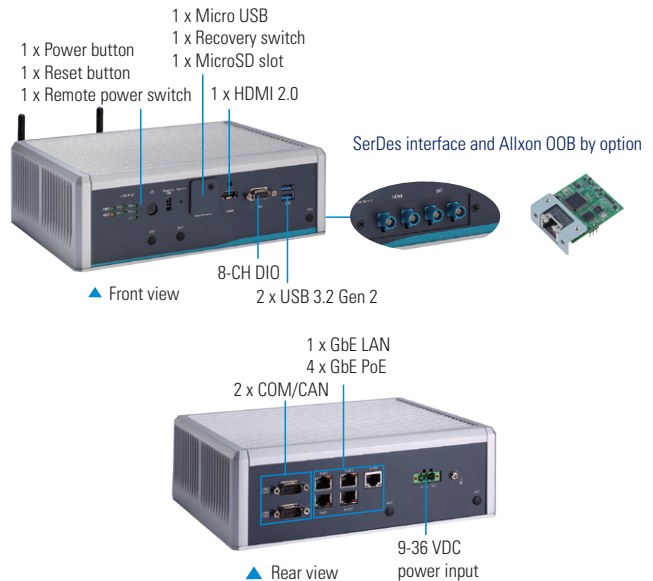


Specifications

Standard Color	Silver
Construction	Aluminum extrusion and heavy-duty steel, IP40
AI Accelerator	NVIDIA® Jetson Xavier™ NX
CPU	6-core NVIDIA Carmel ARM® v8.2 64-bit CPU 6 MB L2 + 4 MB L3
GPU	384-core NVIDIA Volta™ GPU with 48 Tensor Cores
System Memory	8GB 128-bit LPDDR4x onboard
Carried Board	PSB905
System I/O Outlet	1 x Lockable HDMI 2.0 with 4K2K supported 1 x 10/100/1000 Mbps Ethernet (via Jetson Xavier™ NX) 4 x 10/100/1000 Mbps PoE (Intel® i210-IT; up to 30W) 2 x DB9 for RS-232/422/485/CAN (selected by jumper setting) 2 x USB 3.1 Gen2 1 x 8-CH DI/DO 1 x Remote switch and reset button and 1 x power button 1 x Micro USB and 1 x recovery switch (for image update) 1 x 9 to 36 VDC power input connector 5 x SMA-type antenna opening
Watchdog Timer	Dual watchdog timer
Storage	Onboard 16GB eMMC (via Jetson Xavier™ NX) 1 x M.2 Key M 2280 with PCIe x4 NVMe SSD slot 1 x Micro SD slot *The bootable device is supported by eMMC only
Expansion Interface	1 x MIPI CSI-2 connector (4 x FPD-Link III connector by option) 1 x Full-size PCI Express Mini Card slot (USB + PCI Express signal) 1 x M.2 Key B 3050/3042 slot 1 x SIM slot
System Indicator	1 x Green LED for system power-on 1 x Yellow LED for M.2 storage 1 x Green LED for LAN status 4 x Green LED for GbE PoE status
Power Supply	9 to 36 VDC (ignition power control by option)
Operating Temperature	-30°C to +60°C (-22°F to +140°F)
Humidity	10% - 95%, non-condensing
Vibration Endurance	3 Grms with M.2 (5 to 500Hz, X, Y, Z directions)
Dimensions	239 mm (9.41") (W) x 185.3 mm (7.3") (D) x 79.4 mm (3.13") (H)
Weight (net/gross)	2.8kg (6.17lb)/3.45kg (7.61lb)
Certifications	CE, FCC Class A
OS Support	Linux Ubuntu 18.04

Packing List

- 1 x Terminal block connector
- 1 x Screw pack
- 4 x Foot pad
- 1 x M.2 SSD thermal kit
- 1 x 5G module thermal kit



Power Protection

DC Version

- OVP (over voltage protection)
- OCV (over current protection)
- UVP (under voltage protection)
- Reserve protection

Ordering Information

Standard

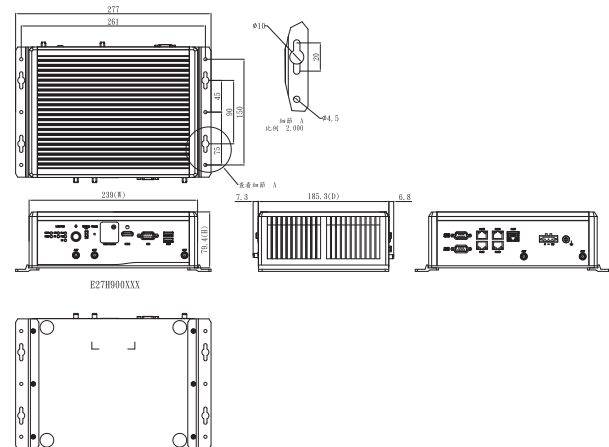
AIE900-XXN-1L4P	Fanless edge AI system with NVIDIA® Jetson Xavier™ NX SoM, 1 HDMI, 1 GbE LAN, 4 GbE PoE, 8-CH DI/DO, and 2 COM/CAN
-----------------	--

Optional

Wall mount kit	LTE module
DIN-rail kit	Wi-Fi module
VESA mount kit	5G module
M.2 NVMe SSD 128GB or above	Power cord
50906D24000E	Adaptor 24V/120W, wire only, FSP120-AAAN3

* Specifications and certifications may vary based on different requirements.

Dimensions



Mouser Electronics

Authorized Distributor

Click to View Pricing, Inventory, Delivery & Lifecycle Information:

[Axiomtek:](#)

[E27H900102](#)