

RM642-252-812-9601

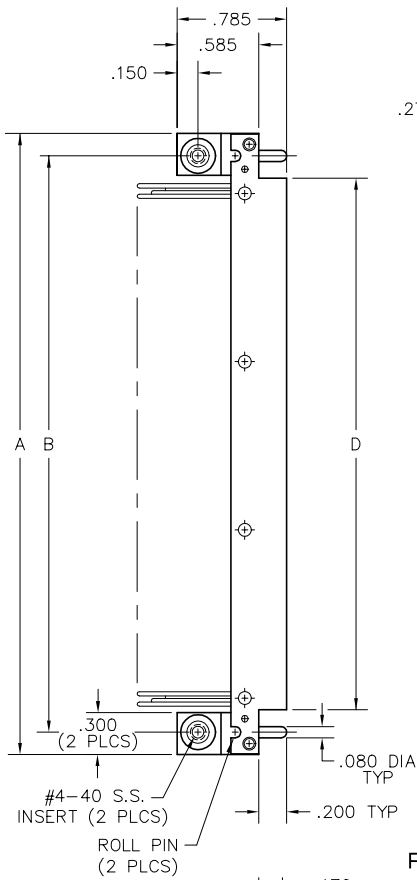
6 • ROW

Daughterboard to Motherboard or Chassis

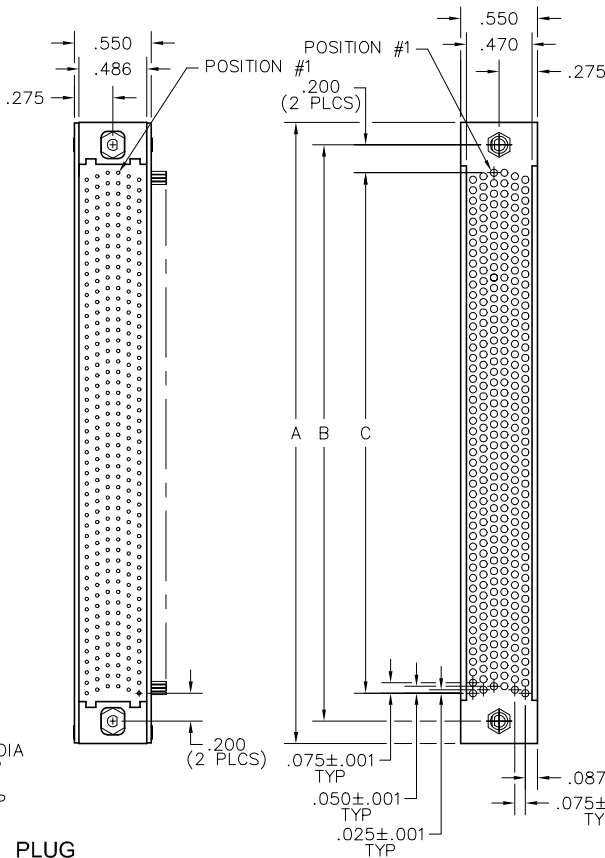
.075"

RM6

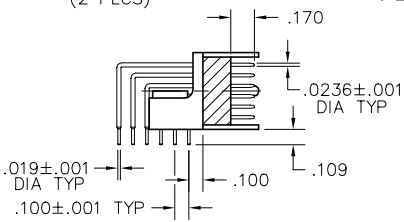
162 thru 402 Contacts



PLUG



RECEPTACLE



DIMENSIONS					
SIZE	A	B	C	D	E
162	2.720	2.400	2.000	2.080	2.100
204	3.245	2.925	2.525	2.605	2.625
252	3.845	3.525	3.125	3.205	3.225
300	4.445	4.125	3.725	3.805	3.825
360	5.195	4.875	4.475	4.550	4.575
402	5.720	5.400	5.000	5.080	5.100

PLUG: RM672-252-312-9501
RECEPTACLE: RM642-252-812-9601
 XXXXX-XXX-XXX-XXXX

PLUG		RECEPTACLE	
SERIES			
RM .075" Screw Machine PC Connector		RM .075" Screw Machine PC Connector	
BODY			
6	6-Row	6	6-Row
BODY STYLE:		BODY STYLE:	
7	Plug, right angle, with mounting ears	4	Receptacle, straight, without mounting ears
BODY MATERIAL:		BODY MATERIAL:	
2	Polyphenylene sulfide (PPS)	2	Polyphenylene sulfide (PPS)
SIZE			
162, 204, 252, 300, 360, 402		162, 204, 252, 300, 360, 402	
CONTACTS			
TYPE CONTACTS/TERMINATIONS:		TYPE CONTACTS/TERMINATIONS:	
31	Pin, right angle, dip solder, .109" x .019" dia	76	Socket, straight, solder cup
32	Pin, right angle, dip solder, .140" x .019" dia	77	Socket, straight, flex, .093" x .017" dia
33	Pin, right angle, dip solder, .172" x .019" dia	81	Socket, straight, dip solder, .109" x .018" dia
		82	Socket, straight, dip solder, .140" x .018" dia
		83	Socket, straight, dip solder, .172" x .018" dia
		87	Socket, straight, press-fit, .188" (Board: .093" - .125" thk)
		88	Socket, straight, press-fit, .308" (Board: .156" - .200" thk)
		89	Socket, straight, press-fit, .388" (Board: .250"+ thk)
PLATING OPTIONS:		PLATING OPTIONS:	
1	Gold plated termination	1	Gold plated termination
2	Pre-tinned termination	2	Pre-tinned termination (except solder cup or flex)
HARDWARE			
STYLE OF HARDWARE:		STYLE OF HARDWARE:	
0256	None	0256	None
93	Fixed jackset, #4-40 thread	92	Hex turning jackset, #4-40 thread
95	Guide pins, polarized, unassembled	93	Fixed jackset, #4-40 thread
9501 - 9536	Guide pins, polarized, installed	96	Guide sockets, polarized, unassembled, #2-56 x .320" thread
99	Guide pins, universal	9601 - 9636	Guide sockets, polarized, installed
		97	Guide sockets, polarized, unassembled, #2-56 x .247" thread
		9701 - 9736	Guide sockets, polarized, installed
		98	Guide sockets, universal, #2-56 x .247" thread
POLARIZATION:		POLARIZATION:	
00	None	00	None
01	thru 36 are special identifiers, see page R-57	01	thru 36 are special identifiers, see page R-57

6 • ROW

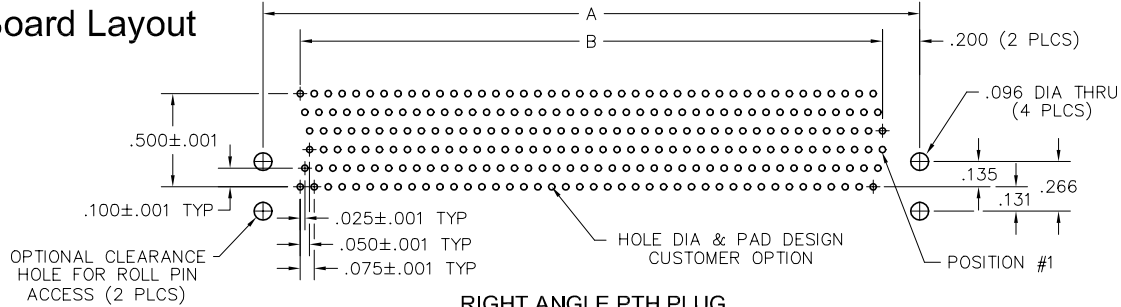
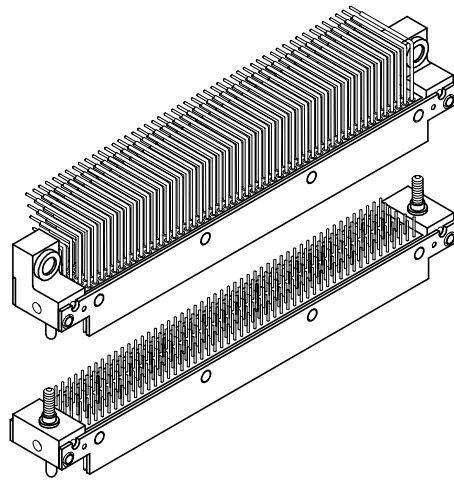
Right Angle PTH Plug Straight PTH Plug

.075"

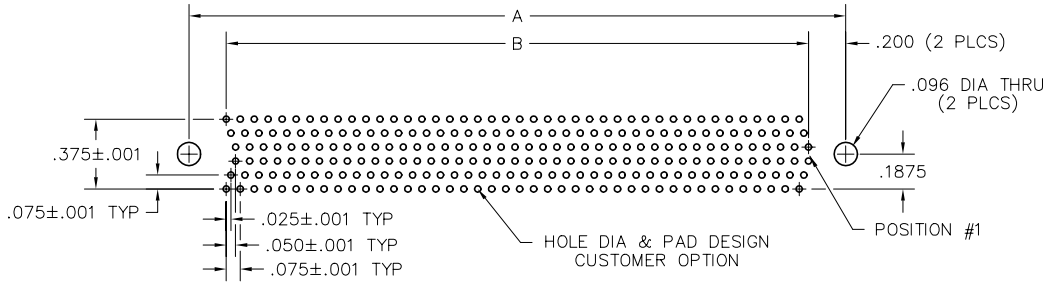
RM6

162 thru 402 Contacts
Recommended
Board Layout

DIMENSIONS		
SIZE	A	B
162	2.400	2.000
204	2.925	2.525
252	3.525	3.125
300	4.125	3.725
360	4.875	4.475
402	5.400	5.000

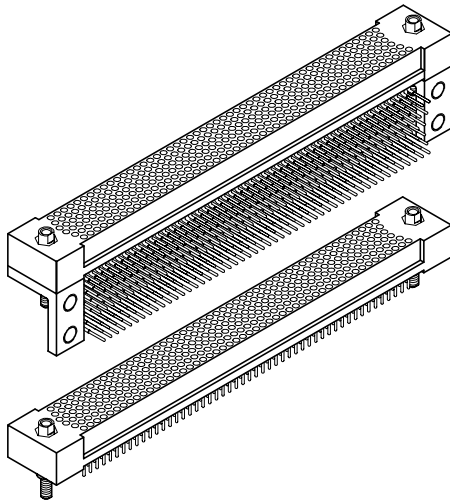


RIGHT ANGLE PTH PLUG
PC BOARD VIEWED FROM COMPONENT SIDE



STRAIGHT PTH PLUG
PC BOARD VIEWED FROM COMPONENT SIDE

SIZE	CONTACT ID	SIZE	CONTACT ID
162	(162)(159)(156)	300	(300)(297)(294)
	(161)(158)(155)		(159)(156)(153)
	(160)(157)(154)		(299)(296)(293)
	(79)(76)(73)		(158)(155)(152)
	(80)(77)(74)		(298)(295)(292)
	(81)(78)(75)		(148)(145)(142)
204	(204)(201)(198)	360	(360)(357)(354)
	(111)(108)(105)		(189)(186)(183)
	(203)(200)(197)		(157)(154)(151)
	(110)(107)(104)		(359)(356)(353)
	(202)(199)(196)		(188)(185)(182)
	(109)(106)(103)		(358)(355)(352)
252	(100)(97)(94)	402	(402)(399)(396)
	(7)(4)(1)		(210)(207)(204)
	(101)(98)(95)		(209)(206)(203)
	(8)(5)(2)		(208)(205)(202)
	(102)(99)(96)		(199)(196)(193)
	(9)(6)(3)		(200)(197)(194)
			(201)(198)(195)



DIMENSIONS		
SIZE	A	B
162	2.400	2.000
204	2.925	2.525
252	3.525	3.125
300	4.125	3.725
360	4.875	4.475
402	5.400	5.000

6 ROW

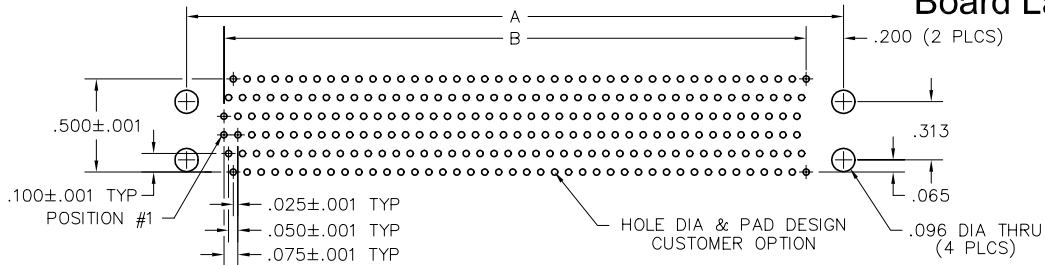
Right Angle PTH Rcpt

Straight PTH Rcpt

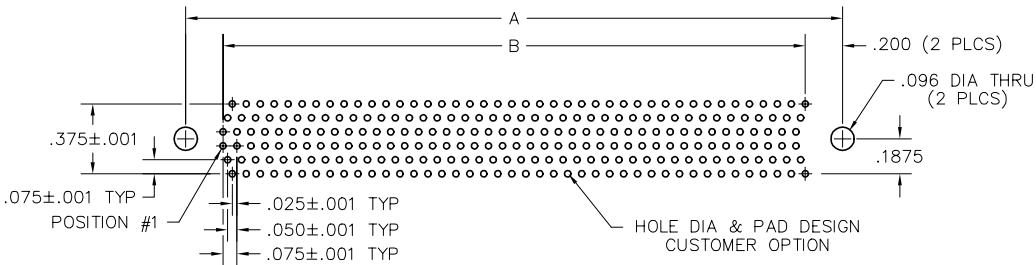
.075"

RM6

162 thru 402 Contacts
Recommended
Board Layout



RIGHT ANGLE PTH RECEPTACLE
PC BOARD VIEWED FROM COMPONENT SIDE



STRAIGHT PTH RECEPTACLE
PC BOARD VIEWED FROM COMPONENT SIDE

SIZE	CONTACT ID	SIZE	CONTACT ID
162	(84 87 90)	300	(153 156 159)
	(83 86 89)		(294 297 300)
	(82 85 88)		(155 158 161)
	(1 4 7)		(152 155 158)
	(2 5 8)		(293 296 299)
	(3 6 9)		(151 154 157)
204	(105 108 111)	360	(183 186 189)
	(104 107 110)		(354 357 360)
	(103 106 109)		(198 201 204)
	(1 4 7)		(182 185 188)
	(2 5 8)		(197 200 203)
	(3 6 9)		(181 184 187)
252	(129 132 135)	402	(204 207 210)
	(128 131 134)		(396 399 402)
	(127 130 133)		(246 249 252)
	(1 4 7)		(245 248 251)
	(2 5 8)		(244 247 250)
	(3 6 9)		(118 121 124)
	(119 122 125)		(203 206 209)
	(120 123 126)		(395 398 401)
			(202 205 208)
			(394 397 400)
			(1 4 7)
			(193 196 199)
			(2 5 8)
			(194 197 200)
			(3 6 9)
			(195 198 201)

Mouser Electronics

Authorized Distributor

Click to View Pricing, Inventory, Delivery & Lifecycle Information:

[AirBorn:](#)

[RM672-360-332-9501](#) [RM672-252-312-9501](#)