

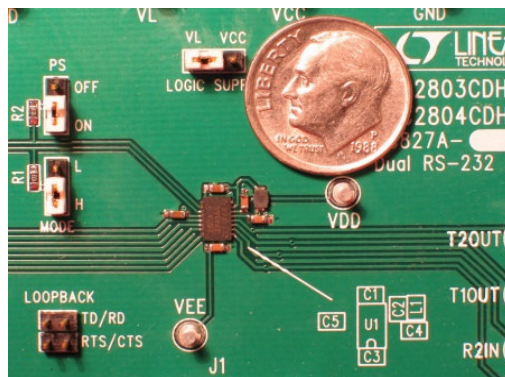
DESCRIPTION

Demonstration circuit 827 is a 1.8V to 5.5V RS-232 Dual Transceiver featuring the LTC2803 and LTC2804.

VERSION	P/N
DC827A-A	LTC2803CDHC
DC827A-B	LTC2804CDHC

Design files for this circuit board are available. Call the LTC factory.

LT, LTC and LT are registered trademarks of Linear Technology Corporation. ThinSOT and PowerPath are trademarks of Linear Technology Corporation.



PERFORMANCE SUMMARY

SYMBOL	PARAMETER	CONDITIONS	MIN	TYP	MAX	UNITS
V_{CC}	Input Supply Voltage		1.8		5.5	V
V_L	Logic Supply Voltage		1.8		5.5	V
SR(D)	Driver Slew Rate	$R_L = 3k\Omega$, $50pF < C_L < 2.5nF$ LTC2803: LTC2804:	4		30	V/ μ s
--	Maximum Data Rate	$R_L = 3k\Omega$, $C_L = 2.5nF$	100			kbps
		$R_L = 3k\Omega$, $C_L = 1.0nF$	250			kbps
		$R_L = 3k\Omega$, $C_L = 250pF$ (LTC2804)	1000			kbps

JUMPERS

SCH	NAME	PURPOSE															
JP1, JP2	MODE, PS	Mode control, as follows: <table border="1"> <thead> <tr> <th>PS</th> <th>MODE</th> <th>MODE NAME</th> </tr> </thead> <tbody> <tr> <td>OFF</td> <td>L</td> <td>Shutdown</td> </tr> <tr> <td>OFF</td> <td>H</td> <td>Receivers Active</td> </tr> <tr> <td>ON</td> <td>L</td> <td>Drivers Disabled</td> </tr> <tr> <td>ON</td> <td>H</td> <td>Normal</td> </tr> </tbody> </table>	PS	MODE	MODE NAME	OFF	L	Shutdown	OFF	H	Receivers Active	ON	L	Drivers Disabled	ON	H	Normal
PS	MODE	MODE NAME															
OFF	L	Shutdown															
OFF	H	Receivers Active															
ON	L	Drivers Disabled															
ON	H	Normal															
JP3	LOGIC SUPPLY	Selects supply for VL pin. Use setting "VL" for a separate logic supply, or "VCC" to share a single supply.															
JP4, JP5	TD/RD, RTS/CTS	Selects Receiver loopback mode, for use with the DB9 connector. In this configuration, R1OUT is connected to T1IN and R2OUT is connected to T2IN.															

SCH	NAME	PURPOSE
		For the UART connected to the DB9, this wraps TD back to RD and RTS back to CTS.

QUICK START PROCEDURE

Demonstration circuit 827 is easy to set up for evaluating the LTC2803 and LTC2804. Refer to Figure 1 or Figure 2 for proper setup and follow the procedure below:

1. Place jumpers in the following positions:

JP1	MODE	H
JP2	PS	ON

2. With power off, connect the primary power supply to VCC and GND.

3. Set **JP3** "Logic Supply" to the correct position. If a separate logic supply isn't needed, use the "VCC" setting. If a separate Logic Supply will be used, use the "VL" setting and, with the power off, connect the supply to VL and GND.

4. For transmitter loopback mode (Figure 1), connect each driver output to a receiver input. Connect input sources to the driver inputs. (Make sure that input voltages don't exceed 7V.) Omit Loopback jumpers **JP4** and **JP5** for this mode.

5. Alternatively, to operate the part in receiver loopback mode (Figure 2), connect a 9-wire RS-232 cable between DB9 connector J1 and the serial port of a computer. Place jumpers in the two LOOPBACK positions:

JP4	TD/RD
JP5	CTS/RTS

Data may be transmitted and monitored using a terminal emulation program such as Terminal, HyperTerminal, Tera Term Pro, or RealTerm.

6. Turn on the input supply/supplies in any order. (Note: Make sure that the voltage doesn't exceed 7V.)

7. Check for the proper generated supply voltages: VDD = 6.5V to 7.5V, and VEE = -6.8V to -5.8V.

8. Send data!

Notes:

1. Inputs PS and MODE may be driven by signals instead of set with jumpers. If done, ensure that the voltage of PS doesn't exceed VL.

2. The terminal emulation program RealTerm can lock up when RTS/CTS flow control is used in receiver loopback mode.

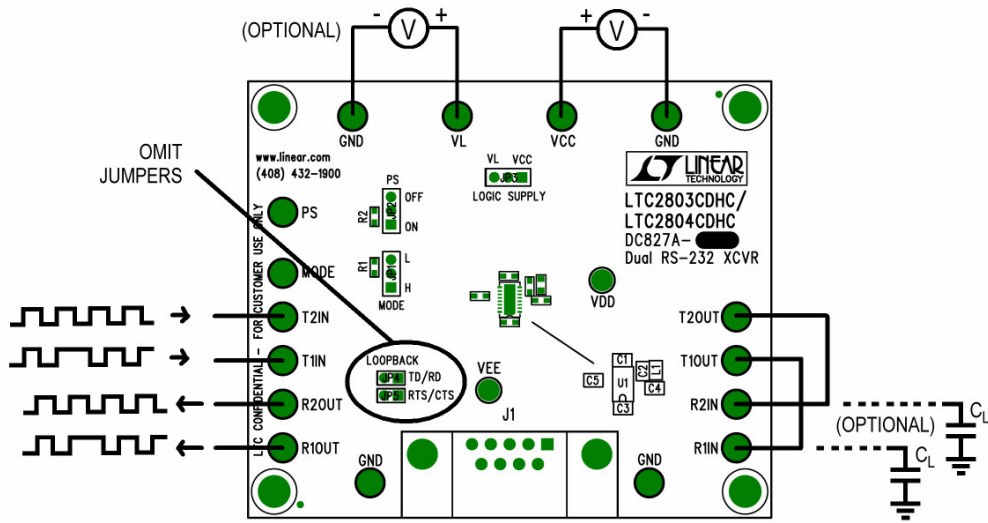


Figure 1. Setup for Transmitter Loopback Mode

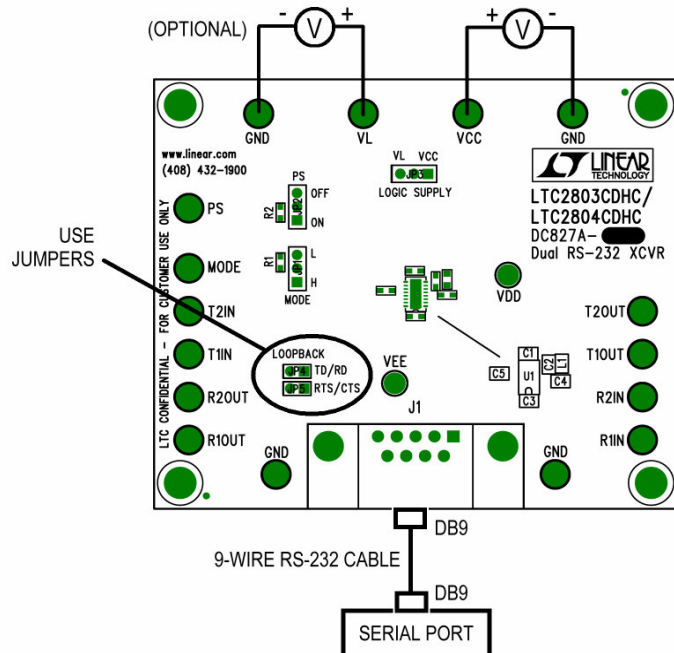
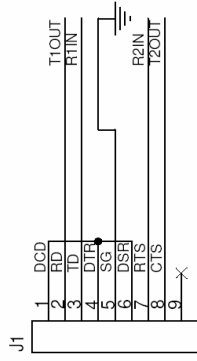
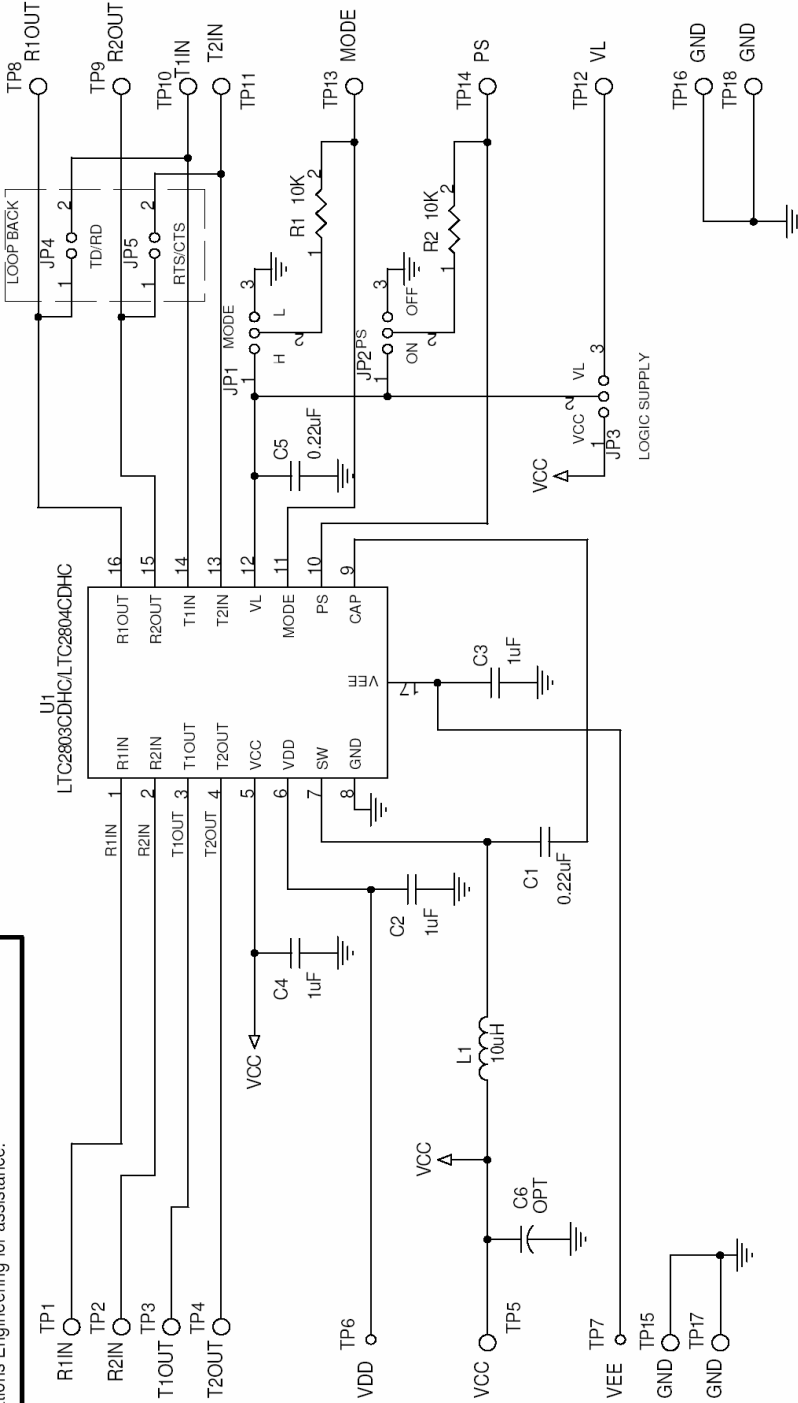



Figure 2. Setup for Receiver Loopback Mode

This circuit is proprietary to Linear Technology and supplied for use with Linear Technology parts.
Customer Notice: Linear Technology has made a best effort to design a circuit that meets customer-supplied specifications; however, it remains the customer's responsibility to verify proper and reliable operation in the actual application. Component substitution and printed circuit board layout may significantly affect circuit performance or reliability. Contact Linear Applications Engineering for assistance.

REVISION HISTORY			
ECO	REV	DESCRIPTION	DATE
	1	PROTO	08/17/04



		1630 McCarthy Blvd. Milpitas, CA 95035 Phone: (408)432-1900 Fax: (408)434-0507	
CONTRACT NO.		TITLE	
UNLESS OTHERWISE SPECIFIED DIMENSIONS ARE IN INCHES TOLERANCE ON ANGLE . . . 2 PLACES . . . 3 PLACES . . . INTERPRET DIM AND TOL PER ASME Y14.5M-1994		SCH, LTC2803CDHC/LTC2804CDHC, DUAL RS232 TRANSCEIVER	
APPROVALS	DATE	SIZE	DWGNO
DRAWN MEI	08/17/04	A	DC827A
CHECKED	APPROVED	SCALE: NONE	FILENAME: 827A-1.DSN
ENGINEER	DESIGNER	SCALE: NONE	SHEET 1 OF 1
DO NOT SCALE DRAWING	Tuesday, October 26, 2004	SCALE: NONE	SHEET 1 OF 1

Mouser Electronics

Authorized Distributor

Click to View Pricing, Inventory, Delivery & Lifecycle Information:

[Analog Devices Inc.:](#)

[DC827A-A](#) [DC827A-B](#)