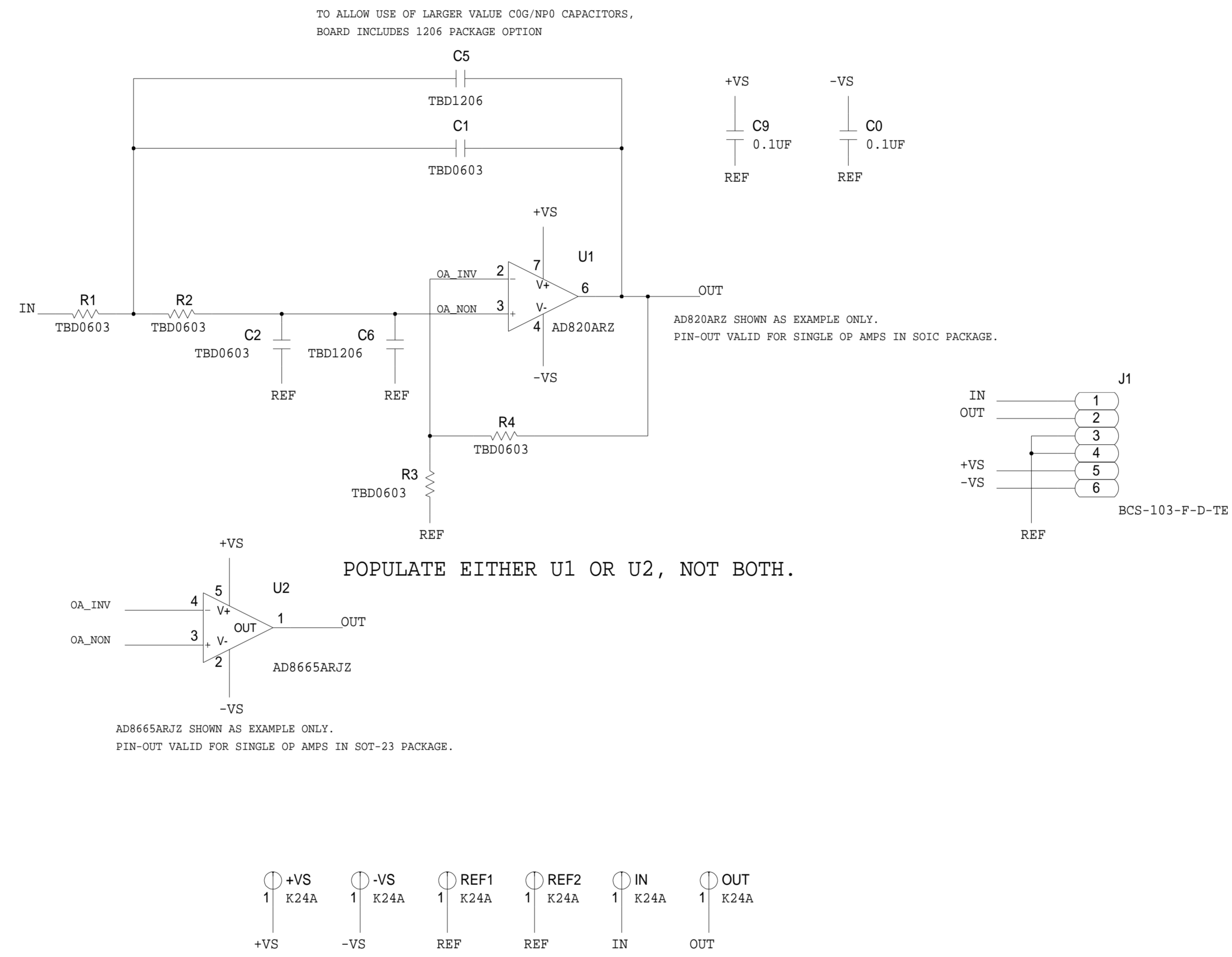




REVISIONS			
REV	DESCRIPTION	DATE	APPROVED

# SALLEN KEY LOW PASS FILTER STAGE FOR SINGLE OP AMPS

CAN ALSO BE USED TO CREATE FIRST ORDER LOW PASS STAGE



	<b>SCHEMATIC</b>		
	EVAL BOARD SALLEN KEY LOW PASS SINGLE <PRODUCT_1>		
	DESIGN VIEW <DESIGN_VIEW>	DRAWING NO. 02-034896	REV A
PTD ENGINEER <PTD_ENGINEER>	SIZE D	SCALE <SCALE>	SHEET 2 OF 2

# Mouser Electronics

Authorized Distributor

Click to View Pricing, Inventory, Delivery & Lifecycle Information:

[Analog Devices Inc.:](#)

[EVAL-FW-LPSK1](#)