

THIS DRAWING IS THE PROPERTY OF ANALOG DEVICES INC. IT IS NOT TO BE REPRODUCED OR COPIED, IN WHOLE OR IN PART, OR USED IN FURNISHING INFORMATION TO OTHERS, OR FOR ANY OTHER PURPOSE DETRIMENTAL TO THE INTERESTS OF ANALOG DEVICES. THE EQUIPMENT SHOWN HEREON MAY BE PROTECTED BY PATENTS OWNED OR CONTROLLED BY ANALOG DEVICES.

JUMPER TABLE		
JP#	ON	OFF
1		
2		
3		
4		
5		

REVISIONS			
REV	DESCRIPTION	DATE	APPROVED
A	INITIAL RELEASE	23APR14	A. MAHAFFEY

RELAY CONTROL CHART


CONTROL	CODE	DEVICE	FUNCTION	CONNECTOR

\* SEE ASSEMBLY INSTRUCTIONS

D C B A

D C B A

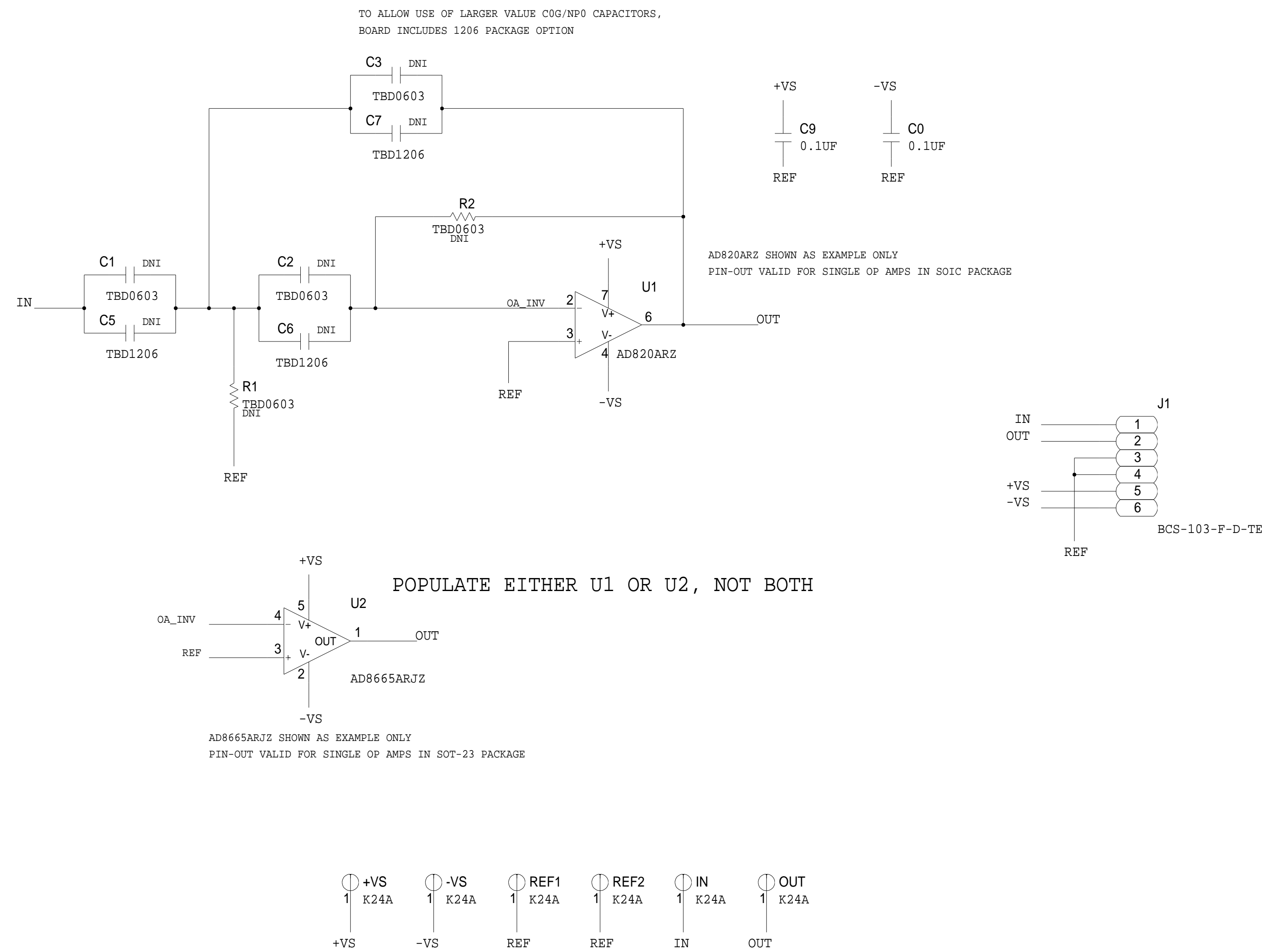
P.O SPEC.	BK/BD SPEC.	SOCKET OEM	OEM PART#	HANDLER

TEMPLATE ENGINEER G. CELEDONIO	DATE 12MAR14	<b>SCHEMATIC</b>	
HARDWARE SERVICES R. MACDONALD	12MAR14		
HARDWARE SYSTEMS J. KEANE	12MAR14	HW TYPE : Customer Evaluation Z	
TEST ENGINEER -----	-----	Product(s) : AD820	
COMPONENT ENGINEER G. CELEDONIO	12MAR14	: NA	
TEST PROCESS -----	-----	PACKAGE : PinCount-lead N/A Package-family	
HARDWARE RELEASE -----	-----	: Pitch-pitch StyleVendor Style	
DESIGNER J. ONDAP	23APR14	<User Define>	
PTD ENGINEER A. MAHAFFEY	23APR14	<User Define>	
CHECKER -----	-----	<User Define>	
MASTER PROJECT TEMPLATE TBD		TESTER TEMPLATE no_template	DRAWING NO. 02_038307
UNLESS OTHERWISE SPECIFIED DIMENSIONS ARE IN INCHES		DECIMALS X.XX +-0.010	REV. A
TOLERANCES		FRACTIONS +-1/32	SIZE <b>D</b>
		ANGLES +-2	SCALE 1:1
			CODE ID NO. CodeID
			SHEET 1 OF 2



REVISIONS			
REV	DESCRIPTION	DATE	APPROVED

## MULTIPLE FEEDBACK HIGH PASS FILTER STAGE FOR SINGLE OP AMPS



	<b>SCHEMATIC</b>		
	HW TYPE : Customer Evaluation Z Product(s): AD820 : NA		
	DESIGN VIEW <DESIGN_VIEW>	DRAWING NO. 02_038307	REV A
	PTD ENGINEER A. MAHAFFEY	SIZE D 1:1	SCALE 1:1
		SHEET 2 OF 2	

# Mouser Electronics

Authorized Distributor

Click to View Pricing, Inventory, Delivery & Lifecycle Information:

[Analog Devices Inc.:](#)

[EVAL-FW-HPMFB1](#)