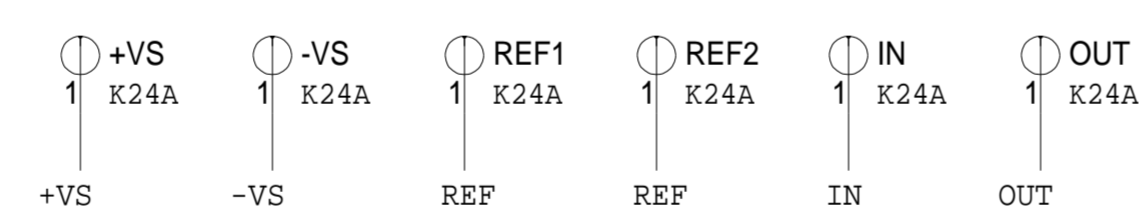
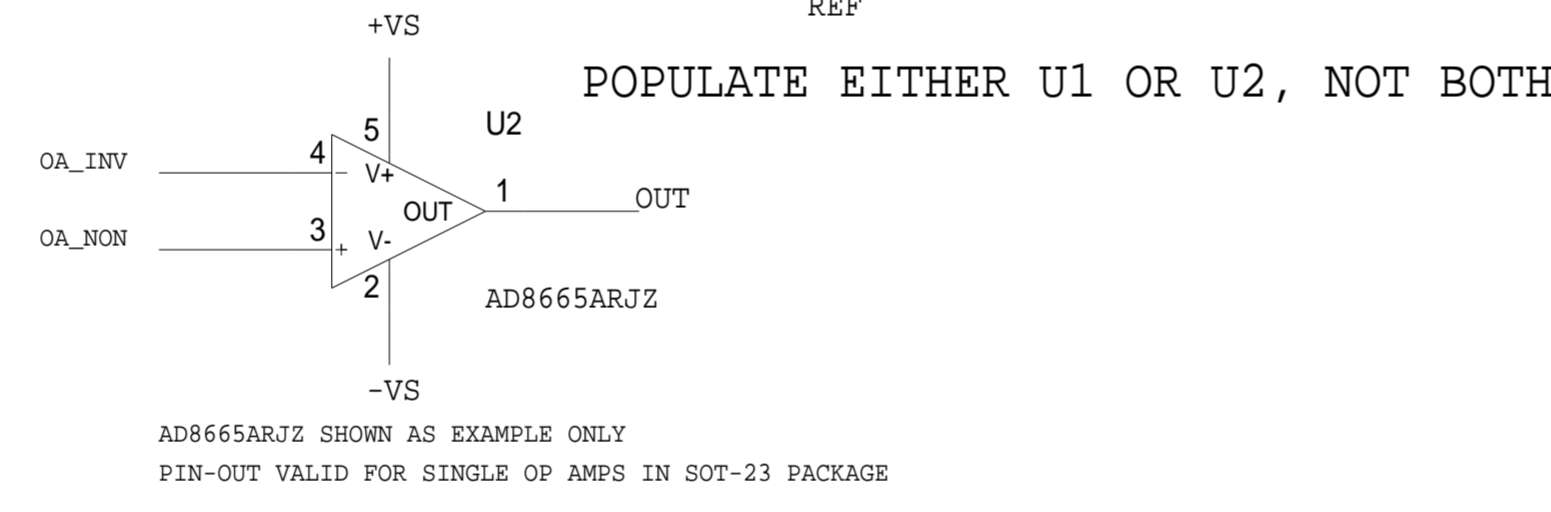
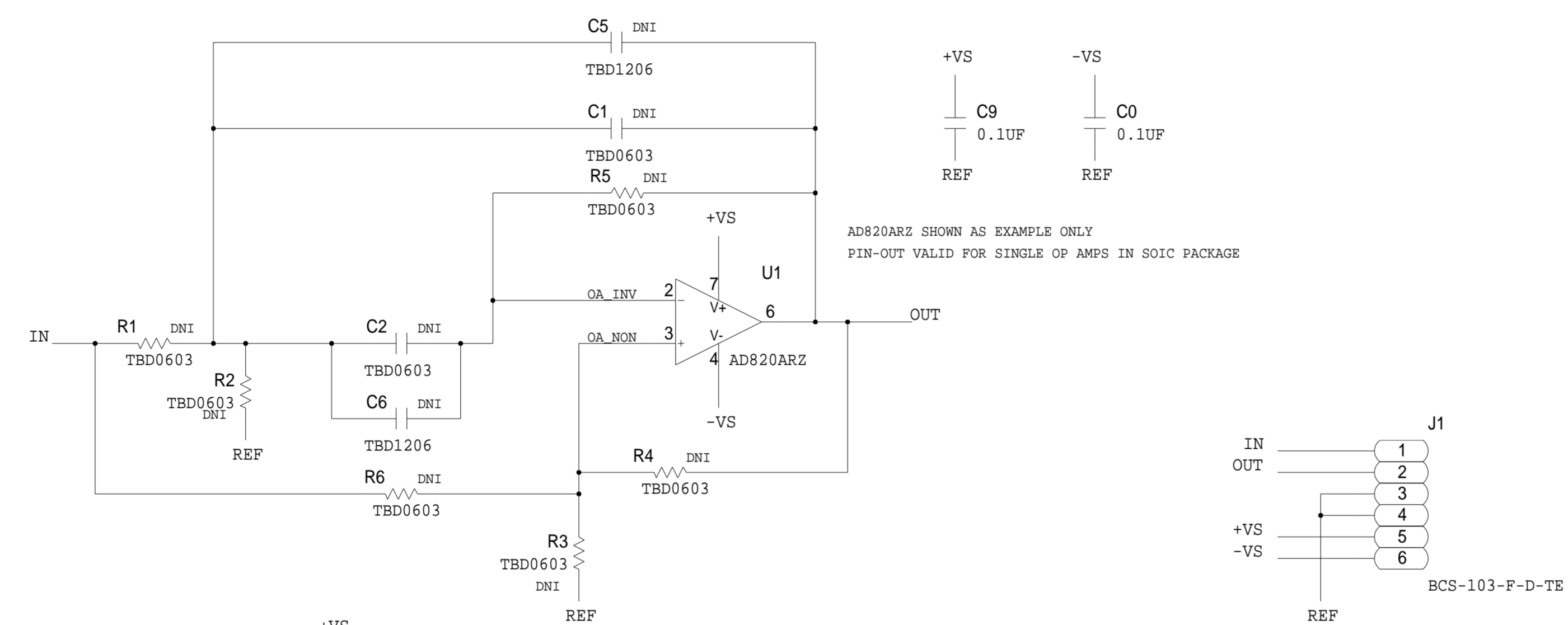


REVISIONS			
REV	DESCRIPTION	DATE	APPROVED

MULTIPLE FEEDBACK BANDPASS FILTER STAGE FOR SINGLE OP AMPS

TO ALLOW USE OF LARGER VALUE COG/NPO CAPACITORS,
BOARD INCLUDES 1206 PACKAGE OPTION



	SCHEMATIC		
	EVAL BOARD MULTIPLE FB BAND-PASS SINGLE Z <PRODUCT_1>		
	DESIGN VIEW <DESIGN_VIEW>	DRAWING NO. 02-034900	REV B
	PTD ENGINEER M DUFF	SIZE D	SCALE <SCALE>
		SHEET 2 OF 2	

Mouser Electronics

Authorized Distributor

Click to View Pricing, Inventory, Delivery & Lifecycle Information:

[Analog Devices Inc.:](#)

[EVAL-FW-BPDF1](#)