

Monolithic 400mA Buck Regulator with Dual 150mA LDOs in 3mm × 2mm DFN

FEATURES

- Triple Output Supply from a Single 2.5V to 5.5V Input
- 400mA Buck DC/DC Plus Dual 150mA LDOs in One IC
- Outputs Regulate Down to 0.8V
- ±2.5% Reference Accuracy
- Constant-Frequency 2.25MHz Operation
- Burst Mode® Operation for High Efficiency at Light Loads; $I_Q = 70\mu\text{A}$, All Outputs Enabled
- Independent Enable Pin for Each Output
- Current Mode Operation for Excellent Line and Load Transient Response
- Internal Soft-Start for Each Output
- Tiny 12-Lead 3mm × 2mm × 0.75mm DFN Package

APPLICATIONS

- Handheld Products
- Portable Instruments
- Single-Cell Li-Ion/Li-Polymer Powered Devices
- DMB/DVB-H Multimedia Cell Phones
- Multivoltage Power for Digital Logic, I/O, FPGAs, CPLDs, ASICs, SoCs, CPUs and RF Chipsets

DESCRIPTION

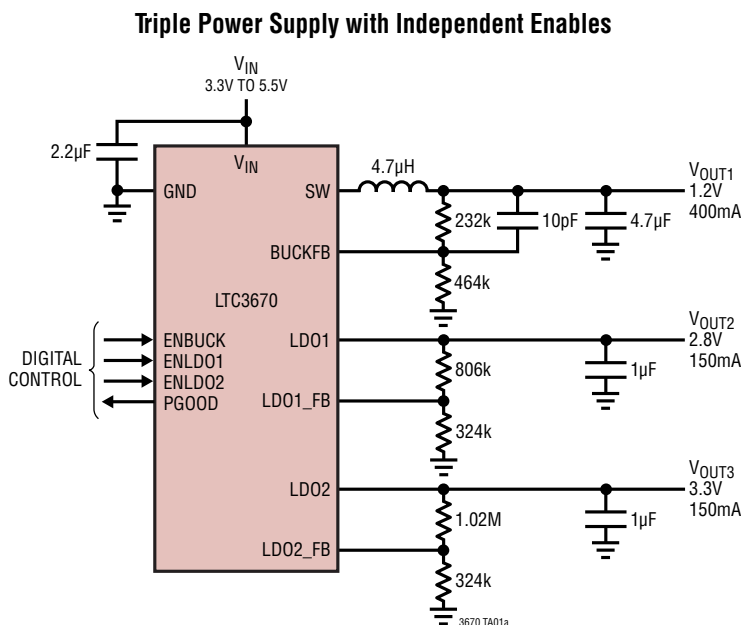
The LTC[®]3670 is a triple power supply composed of a 400mA synchronous buck regulator and two 150mA low dropout linear regulators (LDOs). The input supply range of 2.5V to 5.5V is especially well-suited for single-cell Lithium-Ion and Lithium-Ion/Polymer applications, and for powering low voltage ASICs and SoCs from 3V, 3.3V or 5V rails. Regulated output voltages are programmed via external resistors. Each output has its own enable pin for maximum flexibility.

The 400mA buck regulator features constant-frequency 2.25MHz operation, allowing small surface mount inductors and capacitors to be used. Burst Mode operation maintains high efficiency in light-load and no-load conditions. Internal control-loop compensation simplifies application design.

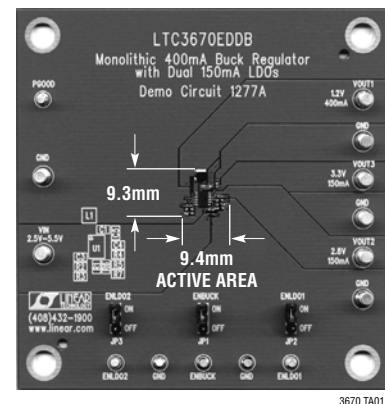
The LTC3670 is available in a 0.75mm profile, 3mm × 2mm 12-lead DFN package.

All registered trademarks and trademarks are the property of their respective owners.

TYPICAL APPLICATION



Demoboard



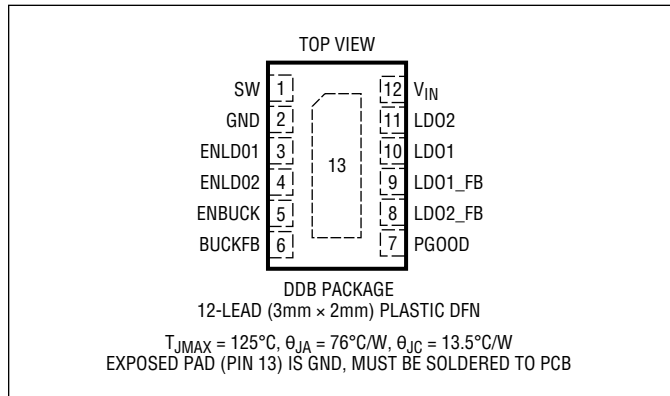
LTC3670

ABSOLUTE MAXIMUM RATINGS

(Notes 1, 2, 3)

V_{IN} , ENBUCK, ENLDO1, ENLDO2, PGOOD	-0.3V to 6V
SW, BUCKFB, LDO1_FB, LDO2_FB, LDO1, LDO2.....	-0.3V to ($V_{IN} + 0.3V$)
I_{SW}	600mA
I_{LDO1} , I_{LDO2}	250mA
I_{PGOOD}	40mA
Junction Temperature	125°C
Operating Temperature Range.....	-40°C to 85°C
Storage Temperature Range.....	-65°C to 125°C

PIN CONFIGURATION



ORDER INFORMATION

LEAD FREE FINISH	TAPE AND REEL	PART MARKING	PACKAGE DESCRIPTION	TEMPERATURE RANGE
LTC3670EDDB#PBF	LTC3670EDDB#TRPBF	LDBY	12-Lead (3mm × 2mm) Plastic DFN	-40°C to 85°C

Consult ADI Marketing for parts specified with wider operating temperature ranges.

[Tape and reel specifications](#). Some packages are available in 500 unit reels through designated sales channels with #TRMPBF suffix.

ELECTRICAL CHARACTERISTICS

The ● denotes the specifications which apply over the full operating temperature range, otherwise specifications are at $T_A = 25^\circ\text{C}$. $V_{IN} = 3.6\text{V}$, unless otherwise noted.

SYMBOL	PARAMETER	CONDITIONS	MIN	TYP	MAX	UNITS
V_{IN}	Input Voltage Range		● 2.5		5.5	V
V_{UVLO}	Undervoltage Lockout Threshold	V_{IN} Rising		2.2	2.45	V
	Undervoltage Lockout Hysteresis			18	100	mV
I_Q	V_{IN} Quiescent Current, No Load	(Note 4)				
	All Outputs Enabled	$V_{BUCKFB} = 0.9\text{V}$		70	110	μA
	Buck Enabled Only	$V_{BUCKFB} = 0.9\text{V}$		38	60	μA
	Buck Enabled Only, in Dropout	$V_{BUCKFB} = 0\text{V}$		700	1100	μA
	One LDO Enabled Only			22	35	μA
	Shutdown	$V_{ENBUCK} = V_{ENLDO1} = V_{ENLDO2} = 0\text{V}$			1	μA
V_{IL} V_{IH}	ENBUCK, ENLDO1, ENLDO2 Pin Thresholds Logic Low Voltage Logic High Voltage		● ● 1.2		0.4	V V
	ENBUCK, ENLDO1, ENLDO2 Pin Pull-Down Resistance			4		MΩ
R_{PGOOD}	PGOOD Pin Logic Low Output Resistance			30		Ω
	PGOOD Pin Hi-Z Leakage	$V_{PGOOD} = 6\text{V}$			1	μA
	PGOOD Threshold on Feedback Voltages of Enabled Regulators	(Note 5)		92		%

ELECTRICAL CHARACTERISTICS

The ● denotes the specifications which apply over the full operating temperature range, otherwise specifications are at $T_A = 25^\circ\text{C}$. $V_{IN} = 3.6\text{V}$, unless otherwise noted.

SYMBOL	PARAMETER	CONDITIONS	MIN	TYP	MAX	UNITS
Synchronous Buck Regulator						
f_{OSC}	Oscillator Frequency		1.91	2.25	2.59	MHz
V_{BUCKFB}	Buck Regulated Feedback Voltage		● 0.78	0.8	0.82	V
I_{BUCKFB}	Feedback Pin Input Bias Current		●		±20	nA
I_{MAXP}	PMOS Switch Maximum Peak Current (Note 6)		600	800	1100	mA
$R_{P(BUCK)}$	PMOS Switch On-Resistance			0.6		Ω
$R_{N(BUCK)}$	NMOS Switch On-Resistance			0.7		Ω
$R_{PD(BUCK)}$	SW Pin Pull-Down Resistance in Shutdown			10		k Ω
$t_{SS(BUCK)}$	Soft-Start Time			0.6		ms
Each LDO Regulator						
V_{LDO}	LDO Regulated Feedback Voltage	LDO Output, $I_{LDO} = 1\text{mA}$ to 150mA	● 0.78	0.8	0.82	V
	LDO Line Regulation (Note 7)	$I_{LDO} = 1\text{mA}$, $V_{IN} = 2.5\text{V}$ to 5.5V		0.25		mV/V
	LDO Load Regulation (Note 7)	$I_{LDO} = 1\text{mA}$ to 150mA		-5		$\mu\text{V}/\text{mA}$
I_{LDO_FB}	Feedback Pin Input Bias Current		●		±20	nA
	Short-Circuit Output Current (Note 6)			420		mA
V_{DROP}	Dropout Voltage (Note 8)	$I_{LDO} = 150\text{mA}$ $V_{IN} = 3.6\text{V}$ $V_{IN} = 2.5\text{V}$		150 200	200 300	mV mV
$t_{SS(LDO)}$	Soft-Start Time			0.1		ms
$R_{PD(LDO)}$	Output Pull-Down Resistance in Shutdown			10		k Ω

Note 1: Stresses beyond those listed under Absolute Maximum Ratings may cause permanent damage to the device. Exposure to any Absolute Maximum Rating condition for extended periods may affect device reliability and lifetime.

Note 2: This IC includes overtemperature protection that is intended to protect the device during momentary overload conditions. Junction temperatures will exceed 125°C when overtemperature protection is active. Continuous operation above the specified maximum operating junction temperature may result in device degradation or failure.

Note 3: The LTC3670 is guaranteed to meet performance specifications from 0°C to 85°C . Specifications over the -40°C to 85°C operating temperature range are assured by design, characterization and correlation with statistical process controls.

Note 4: Dynamic supply current is higher due to the gate charge delivered to the buck regulator's internal MOSFET switches at the switching frequency.

Note 5: PGOOD threshold is expressed as a percentage of the feedback regulation voltage. The threshold is measured for the feedback pin voltage rising.

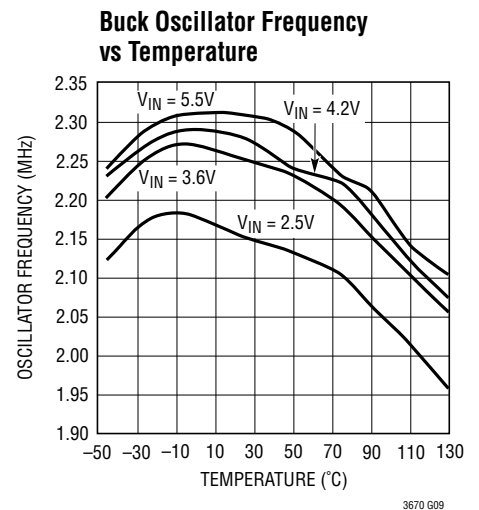
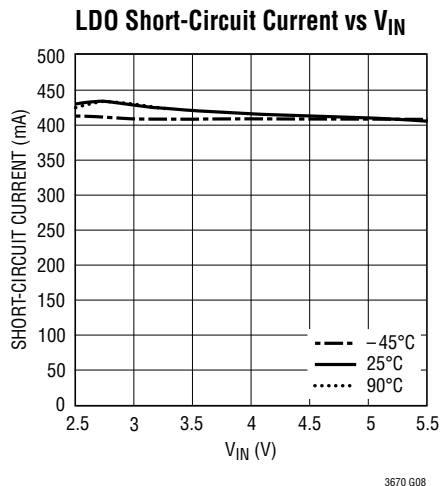
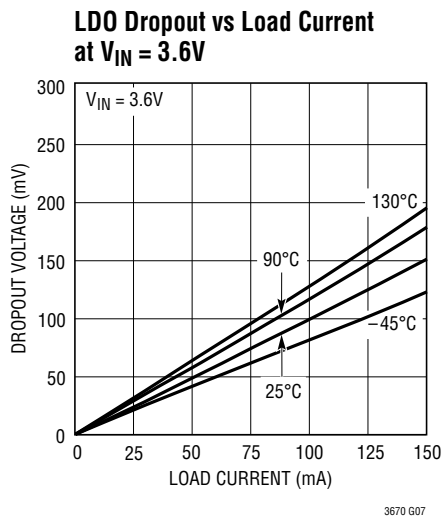
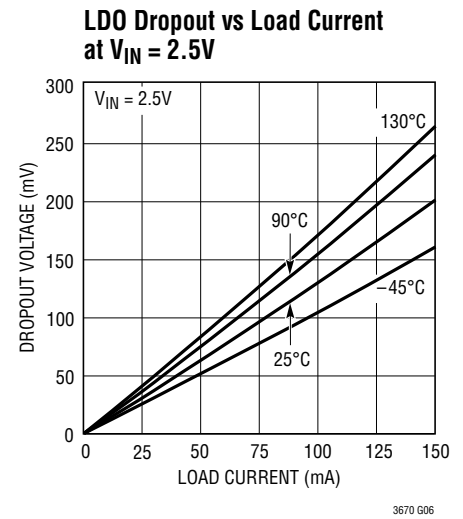
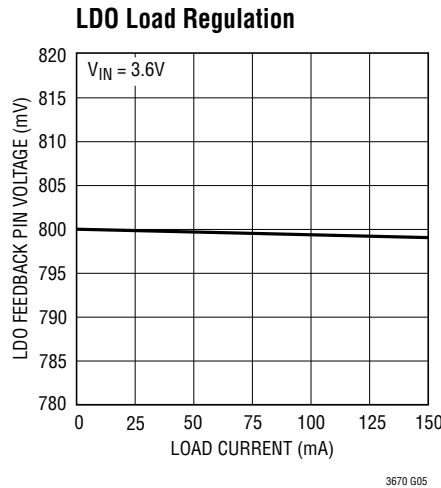
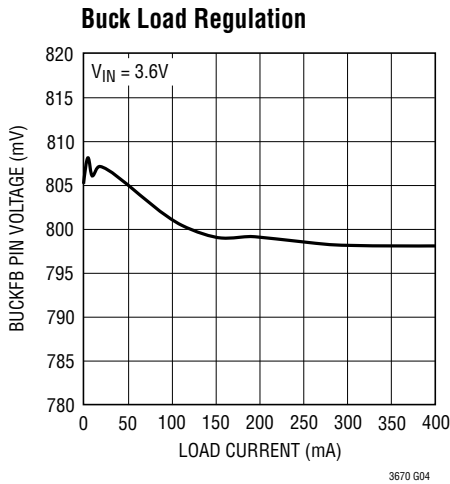
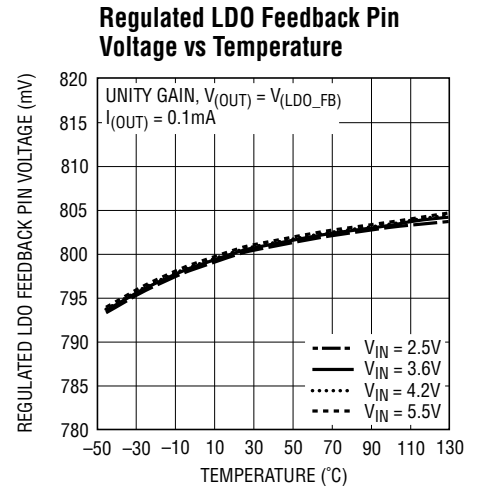
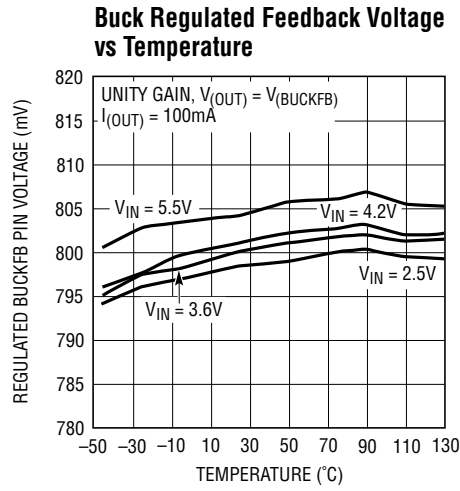
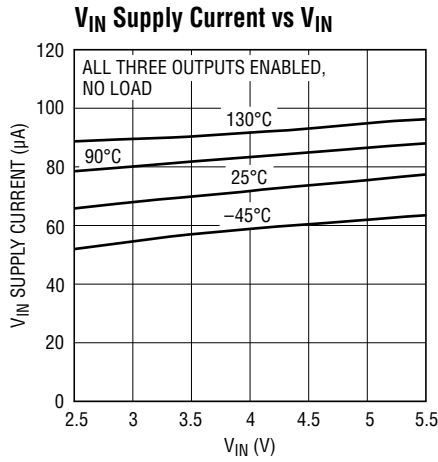
Note 6: The current limit features are intended to protect the IC from short term or intermittent fault conditions. Prolonged operation above the specified Absolute Maximum pin current rating may result in device degradation or failure.

Note 7: Measured with the LDO running unity gain, with output tied to feedback pin.

Note 8: Dropout voltage is the minimum input to output voltage differential needed for an LDO to maintain regulation at a specified output current. When an LDO is in dropout, its output voltage will be equal to:

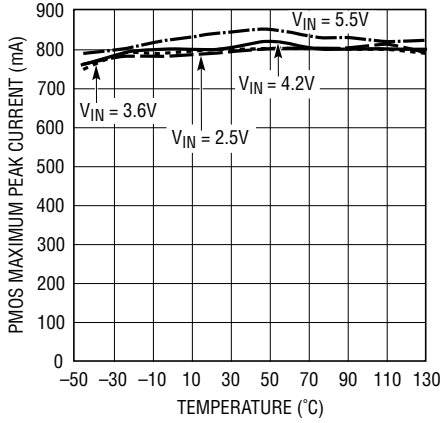
$$V_{IN} - V_{DROP}$$

TYPICAL PERFORMANCE CHARACTERISTICS ($T_A = 25^\circ\text{C}$ unless otherwise noted)



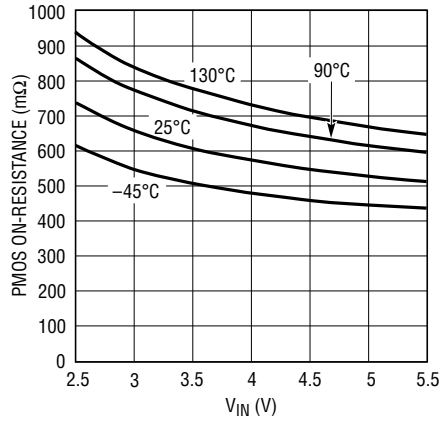
TYPICAL PERFORMANCE CHARACTERISTICS ($T_A = 25^\circ\text{C}$ unless otherwise noted)

PMOS Switch Maximum Peak Current vs Temperature



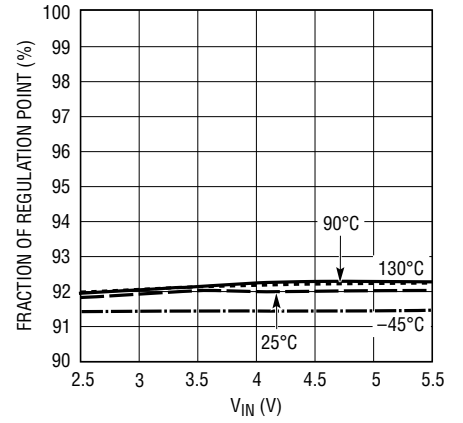
3670 G10

Buck PMOS On-Resistance



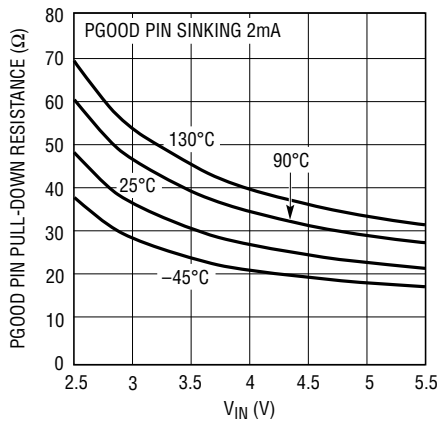
3670 G11

PGOOD Threshold at Any Feedback Pin



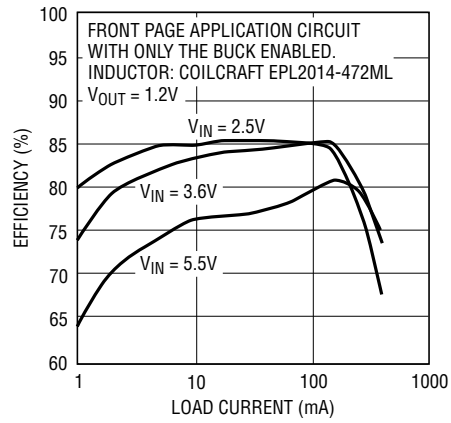
3670 G12

PGOOD Pin Pull-Down Resistance



3670 G13

Front Page Application Efficiency



3670 G14

PIN FUNCTIONS

SW (Pin 1): Buck Regulator Switch Node Connection to Inductor. This pin connects to the drains of the buck regulator's main PMOS and synchronous NMOS switches.

GND (Pin 2): Ground.

ENLDO1 (Pin 3): Enables the First Low Dropout Linear Regulator (LDO1) When High. This is a MOS gate input. There is an internal $4M\Omega$ pull-down.

ENLDO2 (Pin 4): Enables the Second Low Dropout Linear Regulator (LDO2) When High. This is a MOS gate input. There is an internal $4M\Omega$ pull-down.

ENBUCK (Pin 5): Enables the Buck Converter When High. This is a MOS gate input. There is an internal $4M\Omega$ pull-down.

BUCKFB (Pin 6): Feedback Voltage Input for the Buck Regulator. Typically, an external resistor divider feeds a fraction of the buck output voltage to this pin.

PGOOD (Pin 7): Power Good Open-Drain NMOS Output. The PGOOD pin goes Hi-Z when all enabled outputs are within 8% of final value.

LDO2_FB (Pin 8): Feedback Voltage Input for the Second Low Dropout Linear Regulator (LDO2). Typically, an external resistor divider feeds a fraction of the LDO2 output voltage to this pin.

LDO1_FB (Pin 9): Feedback Voltage Input for the First Low Dropout Linear Regulator (LDO1). Typically, an external resistor divider feeds a fraction of the LDO1 output voltage to this pin.

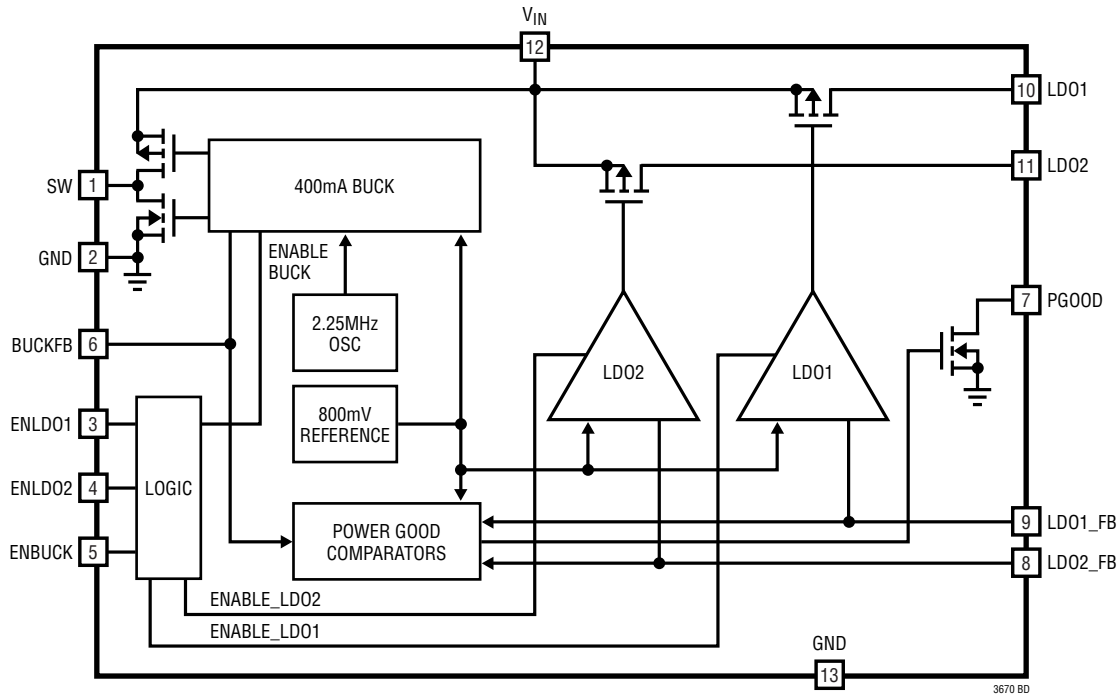
LDO1 (Pin 10): Output of the First Low Dropout Linear Regulator. This pin must be bypassed to ground with a $1\mu\text{F}$ or greater ceramic capacitor.

LDO2 (Pin 11): Output of the Second Low Dropout Linear Regulator. This pin must be bypassed to ground with a $1\mu\text{F}$ or greater ceramic capacitor.

V_{IN} (Pin 12): Input Supply. This pin should be bypassed to ground with a $2.2\mu\text{F}$ or greater ceramic capacitor.

Exposed Pad (Pin 13): Ground. This pin must be soldered to the PCB.

BLOCK DIAGRAM



3670 BD

OPERATION

INTRODUCTION

The LTC3670 combines a synchronous buck converter with two low dropout linear regulators (LDOs) to provide three low voltage outputs from a higher voltage input source. The input supply range of 2.5V to 5.5V spans the single-cell Li-Ion operating range. Each output can be independently enabled or shut down via the three enable pins. The output regulation voltages are programmed by external resistor dividers.

SYNCHRONOUS BUCK REGULATOR

The synchronous buck includes many features: It uses a Constant-frequency current mode architecture, switching at 2.25MHz down to light loads. Automatic Burst Mode operation maintains efficiency in light load and no-load situations. Should the input voltage ever fall below the target output voltage, the buck enters 100% duty cycle operation. Also known as operating in *dropout*, this can extend operating life in battery-powered systems. Soft-start circuitry limits inrush current when powering on. Output current is limited in the event of an output short circuit. The switch node is slew-rate limited to reduce EMI radiation. The buck regulation control-loop compensation is internal to the IC and requires no external components.

Main Control Loop

An error amplifier monitors the difference between an internal reference voltage and the voltage on the BUCKFB pin. When the BUCKFB voltage is below the reference, the error amplifier output voltage increases. When the BUCKFB voltage exceeds the reference, the error amplifier output voltage decreases.

The error amplifier output controls the peak inductor current through the following mechanism: Paced by a free-running 2.25MHz oscillator, the main P-channel MOSFET switch is turned on at the start of the oscillator cycle. Current flows from the V_{IN} supply through this PMOS switch, through the inductor via the SW pin, and into the output capacitor and load. When the current reaches the level programmed by the output of the error amplifier, the PMOS is shut off, and the N-channel MOSFET synchronous rectifier turns on. Energy stored in the inductor discharges into the load through this NMOS. The NMOS turns off at the end of the

2.25MHz cycle, or sooner, if the current through it drops to zero before the end of the cycle.

Through these mechanisms, the error amplifier adjusts the peak inductor current to deliver the required output power to regulate the output voltage as sensed by the BUCKFB pin. All necessary control-loop compensation is internal to the step-down switching regulator requiring only a single ceramic output capacitor for stability.

At light loads, the inductor current may reach zero before the end of the oscillator cycle, which will turn off the NMOS synchronous rectifier. In this case, the SW pin goes high impedance and will show damped “ringing.” This is known as discontinuous operation and is normal behavior for a switching regulator.

Burst Mode Operation

At light load and no-load conditions, the buck automatically switches to a power-saving hysteretic control algorithm that operates the switches intermittently to minimize switching losses. Known as Burst Mode operation, the buck cycles the power switches enough times to charge the output capacitor to a voltage slightly higher than the regulation point. The buck then goes into a reduced quiescent current sleep mode. In this state, power loss is minimized while the load current is supplied by the output capacitor. Whenever the output voltage drops below a pre-determined value, the buck wakes from sleep and cycles the switches again until the output capacitor voltage is once again slightly above the regulation point. Sleep time thus depends on load current, because the load current determines the discharge rate of the output capacitor. Should load current increase above roughly 1/4 of the rated output load current, the buck resumes constant-frequency operation.

Soft-Start

Soft-start in the buck regulator is accomplished by gradually increasing the maximum allowed peak inductor current over a 600 μ s period. This allows the output to rise slowly, controlling the inrush current required to charge up the output capacitor. A soft-start cycle occurs whenever the LTC3670 is enabled, or after a fault condition has occurred (thermal shutdown or UVLO).

OPERATION

Switch Slew-Rate Control

The buck regulator contains new patent-pending circuitry to limit the slew rate of the switch node (SW pin). This new circuitry is designed to transition the switch node over a period of a couple nanoseconds, significantly reducing radiated EMI and conducted supply noise while maintaining high efficiency.

LOW DROPOUT LINEAR REGULATORS (LDOs)

The LTC3670 contains two independent LDO regulators, each supporting a load of up to 150mA. Each LDO takes power from the V_{IN} pin and drives its output pin with the goal of bringing its feedback pin voltage to 0.8V. In the usual case, a resistor divider is connected between the LDO's output pin, feedback pin and ground, in order to close the control loop and program the output voltage. For stability, each LDO output must be bypassed to ground with a minimum 1 μ F ceramic capacitor.

Each LDO can be enabled or disabled via its own enable pin. When disabled with V_{IN} still applied, an internal pull-down resistor is switched in to help bring the output to ground. When an LDO is enabled, a soft-start circuit ramps its regulation point from zero to final value over a period of roughly 0.1ms, reducing the required V_{IN} inrush current.

LOW V_{IN} SUPPLY UNDERVOLTAGE LOCKOUT

An undervoltage lockout (UVLO) circuit shuts down the LTC3670 when V_{IN} drops below about 2.2V.

POWER GOOD DETECTION

The LTC3670 has a built-in supply monitor. If the feedback voltage of every enabled regulator is above 92% of its regulation value, the PGOOD pin becomes high impedance. Otherwise, or if no regulators are enabled, the PGOOD pin is driven to ground by an internal open-drain NMOS.

The PGOOD pin may be connected through a pull-up resistor to a supply voltage of up to 5.5V, independent of the V_{IN} pin voltage.

APPLICATIONS INFORMATION

Buck Regulator Inductor Selection

Many different sizes and shapes of inductors are available from numerous manufacturers. Choosing the right inductor from such a large selection of devices can be overwhelming, but following a few basic guidelines will make the selection process much simpler.

The buck regulator is designed to work with inductors in the range of 2.2 μ H to 10 μ H. A 4.7 μ H inductor is a good starting point. Larger value inductors reduce ripple current which improves output ripple voltage. Lower value inductors result in higher ripple current and improved transient response time. To maximize efficiency, choose an inductor with a low DC resistance. Choose an inductor with a DC current rating at least 1.5 times larger than the maximum load current to ensure that the inductor does not saturate during normal operation. If output short-circuit is a possible condition, the inductor should be rated to handle the maximum peak current specified for the buck regulator.

Different core materials and shapes will change the size/current and price/current relationship of an inductor. Toroid or shielded pot cores in ferrite or Permalloy materials are small and do not radiate much energy, but generally cost more than powdered iron core inductors with similar electrical characteristics. Inductors that are very thin or have a very small volume typically have much higher core and DCR losses, and will not give the best efficiency. The choice of which style inductor to use often depends more on the price vs size, performance, and any radiated EMI requirements than on what the buck regulator needs to operate.

Table 1 shows several inductors that work well with the buck regulator. These inductors offer a good compromise in current rating, DCR and physical size. Consult each manufacturer for detailed information on their entire selection of inductors.

Table 1. Recommended Inductors for the Buck Regulator

INDUCTOR TYPE	L (μ H)	MAXIMUM I _{DC} (A)	MAXIMUM DCR (Ω)	SIZE in mm (L x W x H)	MANUFACTURER
EPL2014-472ML	4.7	1.3	0.254	1.8 x 2.0 x 1.4	Coilcraft www.coilcraft.com
LPS3015	4.7 3.3	1.1 1.3	0.2 0.13	3.0 x 3.0 x 1.5 3.0 x 3.0 x 1.5	
DE2818C	4.7 3.3	1.25 1.45	0.072 0.053	3.0 x 2.8 x 1.8 3.0 x 2.8 x 1.8	Toko www.toko.com
DE2812C	4.7 3.3	1.15 1.37	0.13* 0.105*	3.0 x 2.8 x 1.2 3.0 x 2.8 x 1.2	
CDRH3D16	4.7	0.9	0.11	4.0 x 4.0 x 1.8	Sumida www.sumida.com
CDRH2D11	4.7 3.3	0.5 0.6	0.17 0.123	3.2 x 3.2 x 1.2 3.2 x 3.2 x 1.2	
SD3118	4.7 3.3	1.3 1.59	0.162 0.113	3.1 x 3.1 x 1.8 3.1 x 3.1 x 1.8	
					Cooper www.cooperet.com

*Typical DCR

APPLICATIONS INFORMATION

Input/Output Capacitor Selection

Low ESR (equivalent series resistance) ceramic capacitors should be used to bypass the following pins to ground: V_{IN} , the buck output, LDO1 and LDO2. Only X5R or X7R ceramic capacitors should be used because they retain their capacitance over wider voltage and temperature ranges than other ceramic types. A 10 μ F output capacitor is sufficient for the buck regulator output. For good transient response and stability the output capacitor for the buck regulator should retain at least 4 μ F of capacitance over operating temperature and bias voltage. The V_{IN} pin should be bypassed with a 2.2 μ F capacitor. The LDO1 and LDO2 output pins should each be bypassed with a 1 μ F capacitor or greater. Larger values yield improved transient response.

Consult with capacitor manufacturers for detailed information and specifications on their selection of ceramic capacitors. Many manufacturers now offer very thin (<1mm tall) ceramic capacitors ideal for use in height-restricted designs. Table 2 shows a list of several ceramic capacitor manufacturers.

Table 2. Ceramic Capacitor Manufacturers

AVX	www.avxcorp.com
Murata	www.murata.com
Taiyo Yuden	www.t-yuden.com
Vishay Siliconix	www.vishay.com
TDK	www.tdk.com

Output Voltage Programming

Figure 1 shows how feedback resistor dividers are connected to the LTC3670 to set the output voltages of the buck and an LDO.

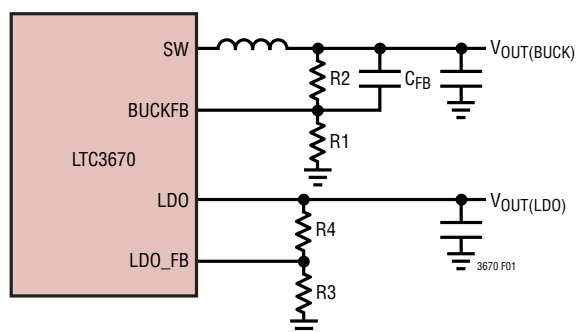


Figure 1. Setting the Output Voltages of the LTC3670

The output voltage of the buck regulator is determined by R_1 and R_2 , following the equation:

$$V_{OUT(BUCK)} = 1 + \frac{R_2}{R_1} \cdot 0.8V$$

An LDO's output voltage is similarly determined by R_3 and R_4 , following:

$$V_{OUT(LDO)} = 1 + \frac{R_4}{R_3} \cdot 0.8V$$

Typical values for R_2 and R_4 are in the range from 40k to 1M.

For improved buck regulator transient response, the capacitor C_{FB} cancels the pole created by the feedback resistors and the input capacitance of the BUCKFB pin. A variety of capacitor sizes can be used for C_{FB} , but a value of 10pF is recommended for most applications. Experimentation with capacitor sizes between 2pF and 22pF may yield improved transient response.

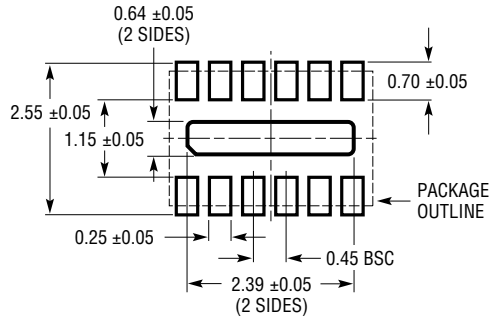
Printed Circuit Board Layout Considerations

When laying out the printed circuit board, the following list should be followed to ensure proper operation of the LTC3670:

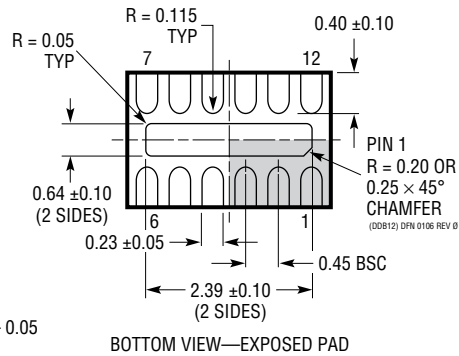
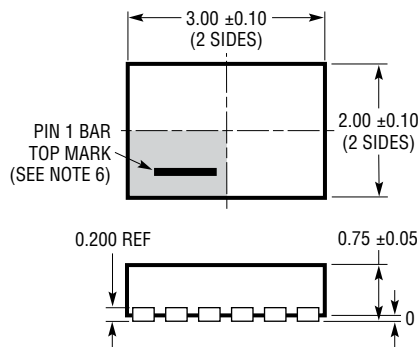
- 1) The Exposed Pad of the package should connect directly to a large ground plane to minimize thermal and electrical impedance.
- 2) The connection from the input supply pin (V_{IN}) to its decoupling capacitor should be kept as short as possible. The GND side of this capacitor should connect directly to the ground plane of the part. The V_{IN} capacitor provides the AC current to the buck regulator's power MOSFETs and their drivers. It is especially important to minimize PCB trace inductance from this capacitor to the V_{IN} and GND pins of the LTC3670.
- 3) The switching power trace connecting the SW pin to the inductor should be kept as short as possible to reduce radiated EMI and parasitic coupling.
- 4) The LDO output capacitors should be placed as close to the IC as possible, and connected to the LDO outputs and the GND pin as directly as possible.

PACKAGE DESCRIPTION

DDB Package
12-Lead Plastic DFN (3mm × 2mm)
 (Reference LTC DWG # 05-08-1723 Rev 0)



RECOMMENDED SOLDER PAD PITCH AND DIMENSIONS
 APPLY SOLDER MASK TO AREAS THAT ARE NOT SOLDERED



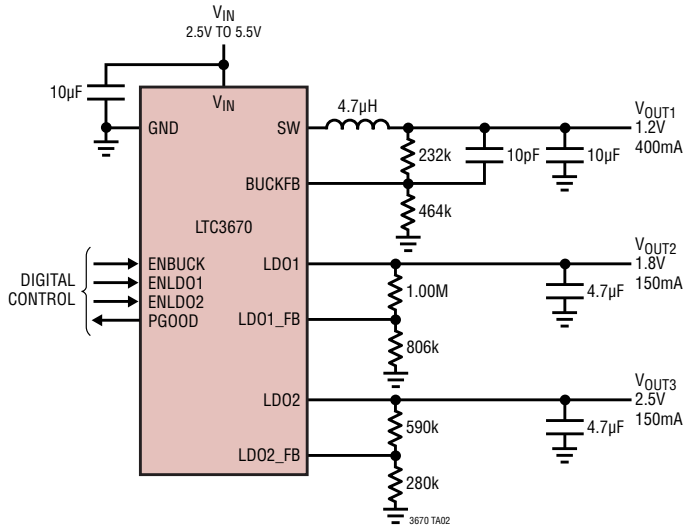
- NOTE:
1. DRAWING IS NOT A JEDEC PACKAGE OUTLINE
 2. DRAWING NOT TO SCALE
 3. ALL DIMENSIONS ARE IN MILLIMETERS
 4. DIMENSIONS OF EXPOSED PAD ON BOTTOM OF PACKAGE DO NOT INCLUDE MOLD FLASH. MOLD FLASH, IF PRESENT, SHALL NOT EXCEED 0.15mm ON ANY SIDE
 5. EXPOSED PAD SHALL BE SOLDER PLATED
 6. SHADED AREA IS ONLY A REFERENCE FOR PIN 1 LOCATION ON THE TOP AND BOTTOM OF PACKAGE

REVISION HISTORY

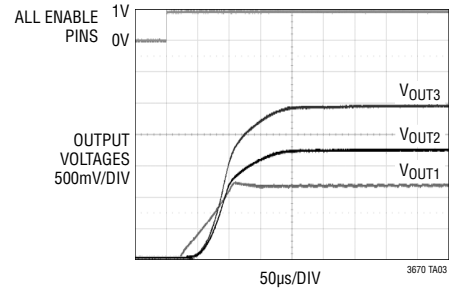
REV	DATE	DESCRIPTION	PAGE NUMBER
A	06/18	Clarified V_{UVLO} in Electrical Characteristic table	2

TYPICAL APPLICATION

LTC3670 with More Output Capacitance for Improved Transient Response

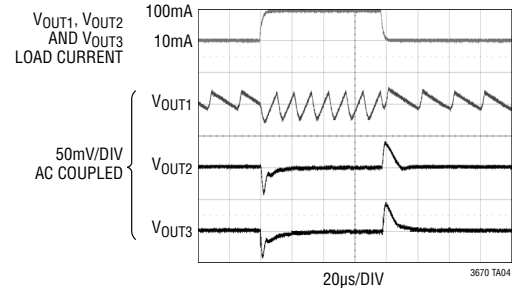


Start-Up Transient



V_{IN} = 3.6V Li-Ion CELL, 10mA RESISTIVE LOAD ON EACH OUTPUT

Load Transient Response



V_{IN} = 3.6V Li-Ion CELL, SIMULTANEOUS LOAD TRANSIENT ALL OUTPUTS

RELATED PARTS

PART NUMBER	DESCRIPTION	COMMENTS
LTC3405/LTC3405A	300mA I_{OUT} , 1.5MHz, Synchronous Step-Down DC/DC Converter	95% Efficiency, V_{IN} : 2.5V to 5.5V, $V_{OUT(MIN)}$ = 0.8V, I_Q = 20µA, I_{SD} < 1µA, ThinSOT Package
LTC3406/LTC3406B	600mA I_{OUT} , 1.5MHz, Synchronous Step-Down DC/DC Converter	96% Efficiency, V_{IN} : 2.5V to 5.5V, $V_{OUT(MIN)}$ = 0.6V, I_Q = 20µA, I_{SD} < 1µA, ThinSOT Package
LTC3407/LTC3407-2	Dual 600mA/800mA I_{OUT} , 1.5MHz/2.25MHz, Synchronous Step-Down DC/DC Converter	95% Efficiency, V_{IN} : 2.5V to 5.5V, $V_{OUT(MIN)}$ = 0.6V, I_Q = 40µA, I_{SD} < 1µA, MS10E Package
LTC3410/LTC3410B	300mA I_{OUT} , 2.25MHz, Synchronous Step-Down DC/DC Converter	96% Efficiency, V_{IN} : 2.5V to 5.5V, $V_{OUT(MIN)}$ = 0.8V, I_Q = 26µA, I_{SD} < 1µA, SC70 Package
LTC3411	1.25A I_{OUT} , 4MHz, Synchronous Step-Down DC/DC Converter	95% Efficiency, V_{IN} : 2.5V to 5.5V, $V_{OUT(MIN)}$ = 0.8V, I_Q = 60µA, I_{SD} < 1µA, MS10 Package
LTC3445	I ² C Controllable 600mA Synchronous Buck Regulator with Two 50mA LDOs in a 4mm × 4mm QFN	95% Efficiency, V_{IN} : 2.5V to 5.5V, $V_{OUT(MIN)}$ = 0.85V, I_Q = 360µA, I_{SD} < 27µA, 4mm × 4mm QFN Package
LTC3446	Synchronous 1A, 2.25MHz Step-Down DC/DC Regulator with Dual VLDOs	95% Efficiency, V_{IN} : 2.7V to 5.5V, $V_{OUT(MIN)}$ = 0.4V, I_Q = 140µA, I_{SD} < 1µA, 3mm × 4mm DFN Package
LTC3448	600A I_{OUT} , 1.5MHz/2.25MHz, Synchronous Step-Down DC/DC Converter with LDO Mode	95% Efficiency, V_{IN} : 2.5V to 5.5V, $V_{OUT(MIN)}$ = 0.6V, I_Q = 32µA, I_{SD} < 1µA, MS10, DFN Packages
LTC3541/LTC3541-1/LTC3541-2/LTC3541-3	Synchronous 500mA, 2.25MHz Step-Down DC/DC Regulator with a 300mA VLDO in a 3mm × 3mm DFN	95% Efficiency, V_{IN} : 2.7V to 5.5V, $V_{OUT(MIN)}$ = 0.4V, I_Q = 85µA, I_{SD} < 1µA, 3mm × 3mm DFN Package
LTC3547	Dual 300mA I_{OUT} , 2.25MHz, Synchronous Step-Down DC/DC Converter	95% Efficiency, V_{IN} : 2.5V to 5.5V, $V_{OUT(MIN)}$ = 0.6V, I_Q = 40µA, I_{SD} < 1µA, DFN-8 Package
LTC3548/LTC3548-1/LTC3548-2	Dual 800mA/400mA I_{OUT} , 2.25MHz, Synchronous Step-Down DC/DC Converter	95% Efficiency, V_{IN} : 2.5V to 5.5V, $V_{OUT(MIN)}$ = 0.6V, I_Q = 40µA, I_{SD} < 1µA, MS10, DFN Packages
LTC3672B-1/LTC3672B-2	Monolithic Fixed-Output 400mA Buck Regulator with Dual 150mA LDOs in a 2mm × 2mm DFN	95% Efficiency, V_{IN} : 2.9V to 5.5V, I_Q = 260µA, LTC3672B-1: Buckout = 1.8V, LDO1 = 1.2V, LDO2 = 2.8V LTC3672B-2: Buckout = 1.2V, LDO1 = 2.8V, LDO2 = 1.8V

Rev A

Mouser Electronics

Authorized Distributor

Click to View Pricing, Inventory, Delivery & Lifecycle Information:

[Analog Devices Inc.:](#)

[LTC3670EDDB#TRPBF](#) [LTC3670EDDB#PBF](#) [LTC3670EDDB#TRMPBF](#) [DC1277A](#)