

### SUMMARY

High performance 32-bit/40-bit floating-point processor optimized for high performance audio processing

Code compatibility—at assembly level, uses the same instruction set as other SHARC DSPs

Processes high performance audio while enabling low system costs

Audio decoders and postprocessor algorithms support nonvolatile memory that can be configured to contain a combination of PCM 96 kHz, Dolby Digital, Dolby Digital Surround EX, DTS-ES Discrete 6.1, DTS-ES Matrix 6.1, DTS 96/24 5.1, MPEG2 AAC LC, MPEG2 BC 2ch, WMA-PRO V7.1, Dolby Pro Logic II, Dolby Pro Logic 2x, and DTS Neo:6

Various multichannel surround sound decoders are contained in ROM. For configurations of decoder algorithms, see [Table 3 on Page 4](#).

Single-instruction multiple-data (SIMD) computational architecture—two 32-bit IEEE floating-point/32-bit fixed-point/40-bit extended precision floating-point computational units, each with a multiplier, ALU, shifter, and register file

High bandwidth I/O—a parallel port, an SPI port, 6 serial ports, a Digital application interface (DAI), and JTAG

DAI incorporates two precision clock generators (PCGs), an input data port (IDP) that includes a parallel data acquisition port (PDAP), and 3 programmable timers, all under software control by the signal routing unit (SRU)

On-chip memory—up to 2M bits on-chip SRAM and a dedicated 4M bits on-chip mask-programmable ROM

The ADSP-2126x processors are available with a 150 MHz or a 200 MHz core instruction rate. For complete ordering information, see [Ordering Guide on Page 45](#).

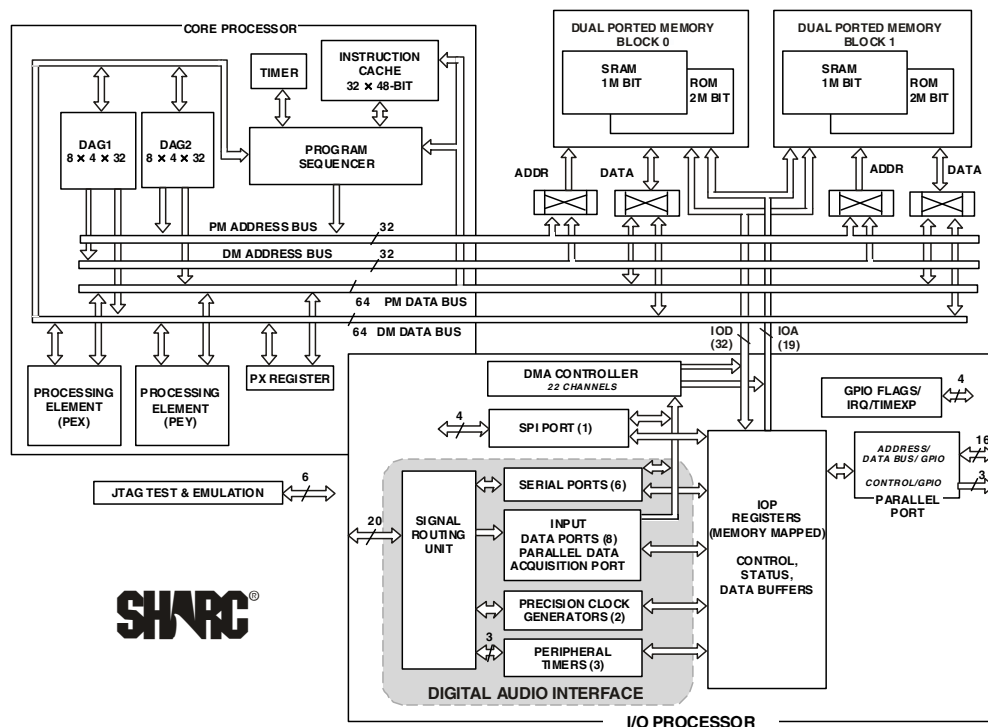


Figure 1. Functional Block Diagram

SHARC and the SHARC logo are registered trademarks of Analog Devices, Inc.

### Rev. G

### Document Feedback

Information furnished by Analog Devices is believed to be accurate and reliable. However, no responsibility is assumed by Analog Devices for its use, nor for any infringements of patents or other rights of third parties that may result from its use. Specifications subject to change without notice. No license is granted by implication or otherwise under any patent or patent rights of Analog Devices. Trademarks and registered trademarks are the property of their respective owners.

# ADSP-21261/ADSP-21262/ADSP-21266

## TABLE OF CONTENTS

Summary .....	1	ESD Caution .....	15
General Description .....	3	Maximum Power Dissipation .....	15
Family Core Architecture .....	3	Absolute Maximum Ratings .....	15
Memory and I/O Interface Features .....	4	Timing Specifications .....	15
Target Board JTAG Emulator Connector .....	8	Output Drive Currents .....	37
Development Tools .....	8	Test Conditions .....	37
Additional Information .....	9	Capacitive Loading .....	37
Related Signal Chains .....	9	Environmental Conditions .....	38
Pin Function Descriptions .....	10	Thermal Characteristics .....	38
Address Data Pins as Flags .....	13	144-Lead LQFP Pin Configurations .....	39
Core Instruction Rate to CLKIN Ratio Modes .....	13	136-Ball BGA Pin Configurations .....	40
Address Data Modes .....	13	Outline Dimensions .....	43
Product Specifications .....	14	Surface-Mount Design .....	44
Operating Conditions .....	14	Automotive Products .....	45
Electrical Characteristics .....	14	Ordering Guide .....	45
Package Information .....	15		

## REVISION HISTORY

### 12/12—Rev. F to Rev. G

Corrected Long Word Memory Space in Table 4 in Memory and I/O Interface Features .....	4
Updated Development Tools .....	8
Added section, Related Signal Chains .....	9
Changed the package designator in Figure 36 from BC-136 to BC-136-1. This change in no way affects form, fit, or function. See Outline Dimensions .....	43
Updated Ordering Guide .....	45

## GENERAL DESCRIPTION

The ADSP-21261/ADSP-21262/ADSP-21266 SHARC® DSPs are members of the SIMD SHARC family of DSPs featuring Analog Devices, Inc., Super Harvard Architecture. The ADSP-2126x is source code compatible with the ADSP-21160 and ADSP-21161 DSPs as well as with first generation ADSP-2106x SHARC processors in SISD (single-instruction, single-data) mode. Like other SHARC DSPs, the ADSP-2126x are 32-bit/40-bit floating-point processors optimized for high performance audio applications with dual-ported on-chip SRAM, mask-programmable ROM, multiple internal buses to eliminate I/O bottlenecks, and an innovative digital application interface.

Table 1 shows performance benchmarks for the processors running at 200 MHz. Table 2 shows the features of the individual product offerings.

**Table 1. Processor Benchmarks (at 200 MHz)**

Benchmark Algorithm	Speed (at 200 MHz)
1024 Point Complex FFT (Radix 4, with reversal)	61.3 μs
FIR Filter (per tap) <sup>1</sup>	3.3 ns
IIR Filter (per biquad) <sup>1</sup>	13.3 ns
Matrix Multiply (pipelined)	
[3×3] × [3×1]	30 ns
[4×4] × [4×1]	53.3 ns
Divide (y/x)	20 ns
Inverse Square Root	30 ns

<sup>1</sup> Assumes two files in multichannel SIMD mode.

As shown in the functional block diagram in Figure 1 on Page 1, the ADSP-2126x uses two computational units to deliver a 5 to 10 times performance increase over previous SHARC processors on a range of DSP algorithms. Fabricated in a state-of-the-art, high speed, CMOS process, the ADSP-2126x DSPs achieve an instruction cycle time of 5 ns at 200 MHz or 6.6 ns at 150 MHz. With its SIMD computational hardware, the ADSP-2126x can perform 1200 MFLOPS running at 200 MHz, or 900 MFLOPS running at 150 MHz.

**Table 2. ADSP-2126x SHARC Processor Features**

Feature	ADSP-21261	ADSP-21262	ADSP-21266
RAM	1M bit	2M bit	2M bit
ROM	3M bit	4M bit	4M bit
Audio Decoders in ROM <sup>1</sup>	No	No	Yes
DMA Channels	18	22	22
SPORTs	4	6	6
Package	136-ball BGA 144-lead LQFP	136-ball BGA 144-lead LQFP	136-ball BGA 144-lead LQFP

<sup>1</sup> For information on available audio decoding algorithms, see Table 3 on Page 4.

The ADSP-2126x continues the SHARC family's industry-leading standards of integration for DSPs, combining a high performance 32-bit DSP core with integrated, on-chip system features. These features include 2M bit dual-ported SRAM memory, 4M bit dual-ported ROM, an I/O processor that supports 22 DMA channels, six serial ports, an SPI interface, external parallel bus, and digital application interface.

The block diagram of the ADSP-2126x on Page 1 illustrates the following architectural features:

- Two processing elements, each containing an ALU, multiplier, shifter, and data register file
- Data address generators (DAG1, DAG2)
- Program sequencer with instruction cache
- PM and DM buses capable of supporting four 32-bit data transfers between memory and the core at every core processor cycle
- Three programmable interval timers with PWM generation, PWM capture/pulse width measurement, and external event counter capabilities
- On-chip dual-ported SRAM (up to 2M bit)
- On-chip dual-ported, mask-programmable ROM (up to 4M bit)
- JTAG test access port
- 8- or 16-bit parallel port that supports interfaces to off-chip memory peripherals
- DMA controller
- Six full-duplex serial ports (four on the ADSP-21261)
- SPI-compatible interface
- Digital application interface that includes two precision clock generators (PCG), an input data port (IDP), six serial ports, eight serial interfaces, a 20-bit synchronous parallel input port, 10 interrupts, six flag outputs, six flag inputs, three programmable timers, and a flexible signal routing unit (SRU)

## FAMILY CORE ARCHITECTURE

The ADSP-2126x is code compatible at the assembly level with the ADSP-2136x and ADSP-2116x, and with the first generation ADSP-2106x SHARC DSPs. The ADSP-2126x shares architectural features with the ADSP-2136x and ADSP-2116x SIMD SHARC family of DSPs, as detailed in the following sections.

### SIMD Computational Engine

The ADSP-2126x contain two computational processing elements that operate as a single-instruction multiple-data (SIMD) engine. The processing elements are referred to as PEX and PEY and each contains an ALU, multiplier, shifter, and register file. PEX is always active, and PEY can be enabled by setting the PEYEN mode bit in the MODE1 register. When this mode is enabled, the same instruction is executed in both processing

# ADSP-21261/ADSP-21262/ADSP-21266

elements, but each processing element operates on different data. This architecture is efficient at executing math intensive audio algorithms.

Entering SIMD mode also has an effect on the way data is transferred between memory and the processing elements. When in SIMD mode, twice the data bandwidth is required to sustain computational operation in the processing elements. Because of this requirement, entering SIMD mode also doubles the bandwidth between memory and the processing elements. When using the DAGs to transfer data in SIMD mode, two data values are transferred with each access of memory or the register file.

## Independent, Parallel Computation Units

Within each processing element is a set of computational units. The computational units consist of an arithmetic/logic unit (ALU), multiplier, and shifter. These units perform all operations in a single cycle. The three units within each processing element are arranged in parallel, maximizing computational throughput. Single multifunction instructions execute parallel ALU and multiplier operations. In SIMD mode, the parallel ALU and multiplier operations occur in both processing elements. These computation units support IEEE 32-bit single precision floating-point, 40-bit extended precision floating-point, and 32-bit fixed-point data formats.

## Data Register File

A general-purpose data register file is contained in each processing element. The register files transfer data between the computation units and the data buses, and store intermediate results. These 10-port, 32-register (16 primary, 16 secondary) register files, combined with the ADSP-2126x enhanced Harvard architecture, allow unconstrained data flow between computation units and internal memory. The registers in PEX are referred to as R0–R15 and in PEY as S0–S15.

## Single-Cycle Fetch of Instruction and Four Operands

The ADSP-2126x features an enhanced Harvard architecture in which the data memory (DM) bus transfers data and the program memory (PM) bus transfers both instructions and data (see [Figure 1 on Page 1](#)). With the ADSP-2126x's separate program and data memory buses and on-chip instruction cache, the processor can simultaneously fetch four operands (two over each data bus) and one instruction (from the cache), all in a single cycle.

## Instruction Cache

The ADSP-2126x includes an on-chip instruction cache that enables three-bus operation to fetch an instruction and four data values. The cache is selective—only the instructions whose fetches conflict with PM bus data accesses are cached. This cache allows full-speed execution of core, looped operations such as digital filter multiply-accumulates, and FFT butterfly processing.

## Data Address Generators with Zero-Overhead Hardware Circular Buffer Support

The ADSP-2126x's two data address generators (DAGs) are used for indirect addressing and implementing circular data buffers in hardware. Circular buffers allow efficient programming of delay lines and other data structures required in digital signal processing, and are commonly used in digital filters and Fourier transforms. The two DAGs of the ADSP-2126x contain sufficient registers to allow the creation of up to 32 circular buffers (16 primary register sets, 16 secondary). The DAGs automatically handle address pointer wraparound, reduce overhead, increase performance, and simplify implementation. Circular buffers can start and end at any memory location.

## Flexible Instruction Set

The 48-bit instruction word accommodates a variety of parallel operations for concise programming. For example, the ADSP-2126x can conditionally execute a multiply, an add, and a subtract in both processing elements while branching and fetching up to four 32-bit values from memory—all in a single instruction.

## MEMORY AND I/O INTERFACE FEATURES

The ADSP-2126x adds the following architectural features to the SIMD SHARC family core:

### Dual-Ported On-Chip Memory

The ADSP-21262 and ADSP-21266 contain two megabits of internal SRAM and four megabits of internal mask-programmable ROM. The ADSP-21261 contain one megabit of internal SRAM and three megabits of internal mask-programmable ROM. Each block can be configured for different combinations of code and data storage (see memory maps, [Table 4](#) and [Table 5](#)). Each memory block is dual-ported for single-cycle, independent accesses by the core processor and I/O processor. The dual-ported memory, in combination with three separate on-chip buses, allows two data transfers from the core and one from the I/O processor, in a single cycle.

The ADSP-2126x is available with a variety of multichannel surround sound decoders, preprogrammed in ROM memory. [Table 3](#) shows the configuration of decoder algorithms.

**Table 3. Multichannel Surround Sound Decoder Algorithms in On-Chip ROM**

Algorithms	B ROM	C ROM	D ROM
PCM	Yes	Yes	Yes
AC-3	Yes	Yes	Yes
DTS 96/24	v2.2	v2.3	v2.3
AAC (LC)	Yes	Yes	Coefficients only
WMA PRO 7.1 96 KHz	No	No	Yes
MPEG2 BC 2ch	Yes	Yes	No
Noise	Yes	Yes	Yes
DPL2x/EX	DPL2	Yes	Yes
Neo:6/ES (v2.5046)	Yes	Yes	Yes

The ADSP-2126x's SRAM can be configured as a maximum of 64K words of 32-bit data, 128K words of 16-bit data, 42K words of 48-bit instructions (or 40-bit data), or combinations of different word sizes up to two megabits. All of the memory can be accessed as 16-bit, 32-bit, 48-bit, or 64-bit words. A 16-bit floating-point storage format is supported that effectively doubles the amount of data that can be stored on-chip. Conversion between the 32-bit floating-point and 16-bit floating-point formats is performed in a single instruction. While each memory block can store combinations of code and data, accesses are most efficient when one block stores data using the DM bus for transfers, and the other block stores instructions and data using the PM bus for transfers.

Using the DM bus and PM buses, with one dedicated to each memory block, assures single-cycle execution with two data transfers. In this case, the instruction must be available in the cache.

### DMA Controller

The ADSP-2126x's on-chip DMA controller allows zero-overhead data transfers without processor intervention. The DMA controller operates independently and invisibly to the processor core, allowing DMA operations to occur while the core is simultaneously executing its program instructions. DMA transfers can occur between the ADSP-2126x's internal memory and its serial ports, the SPI-compatible (serial peripheral interface) port, the IDP (input data port), parallel data acquisition port (PDAP), or the parallel port. Up to 22 channels of DMA are available on the ADSP-2126x—one for the SPI interface, 12 via the serial ports, eight via the input data port, and one via the processor's parallel port. Programs can be downloaded to the ADSP-2126x using DMA transfers. Other DMA features include interrupt generation upon completion of DMA transfers, and DMA chaining for automatic linked DMA transfers.

**Table 4. Internal Memory Space (ADSP-21261)**

<b>IOP Registers 0x0000 0000–0003 FFFF</b>			
<b>Long Word (64 Bits)</b>	<b>Extended Precision Normal or Instruction Word (48 Bits)</b>	<b>Normal Word (32 Bits)</b>	<b>Short Word (16 Bits)</b>
Block 0 SRAM 0x0004 0000–0x0004 1FFF	Block 0 SRAM 0x0008 0000–0x0008 2AAA	Block 0 SRAM 0x0008 0000–0x0008 3FFF	Block 0 SRAM 0x0010 0000–0x0010 7FFF
Reserved 0x0004 2000–0x0005 7FFF	Reserved	Reserved 0x0008 4000–0x000A FFFF	Reserved 0x0010 8000–0x0015 FFFF
Block 0 ROM 0x0005 8000–0x0005 DFFF	Block 0 ROM 0x000A 0000–0x000A 7FFF	Block 0 ROM 0x000B 0000–0x000B BFFF	Block 0 ROM 0x0016 0000–0x0017 7FFF
Reserved 0x0005 E000–0x0005 FFFF	Reserved	Reserved 0x000B C000–0x000B FFFF	Reserved 0x0017 8FFF–0x0017 FFFF
Block 1 SRAM 0x0006 0000–0x0006 1FFF	Block 1 SRAM 0x000C 0000–0x000C 2AAA	Block 1 SRAM 0x000C 0000–0x000C 3FFF	Block 1 SRAM 0x0018 0000–0x0018 7FFF
Reserved 0x0006 2000–0x0007 7FFF	Reserved	Reserved 0x000C 4000–0x000E FFFF	Reserved 0x0018 8000–0x001D FFFF
Block 1 ROM 0x0007 8000–0x0007 DFFF	Block 1 ROM 0x000E 0000–0x000E 7FFF	Block 1 ROM 0x000F 0000–0x000F BFFF	Block 1 ROM 0x001E 0000–0x001F 7FFF
Reserved 0x0007 E000–0x0007 FFFF	Reserved	Reserved 0x000F C000–0x000F FFFF	Reserved 0x0000

# ADSP-21261/ADSP-21262/ADSP-21266

Table 5. Internal Memory Space (ADSP-21262/ADSP-21266)

IOP Registers 0x0000 0000–0003 FFFF			
Long Word (64 Bits)	Extended Precision Normal or Instruction Word (48 Bits)	Normal Word (32 Bits)	Short Word (16 Bits)
Block 0 SRAM 0x0004 0000–0x0004 3FFF	Block 0 SRAM 0x0008 0000–0x0008 5555	Block 0 SRAM 0x0008 0000–0x0008 7FFF	Block 0 SRAM 0x0010 0000–0x0010 FFFF
Reserved 0x0004 4000–0x0005 7FFF	Reserved	Reserved 0x0008 8000–0x000A FFFF	Reserved 0x0011 0000–0x0015 FFFF
Block 0 ROM 0x0005 8000–0x0005 FFFF	Block 0 ROM 0x000A 0000–0x000A AAAA	Block 0 ROM 0x000B 0000–0x000B FFFF	Block 0 ROM 0x0016 0000–0x0017 FFFF
Block 1 SRAM 0x0006 0000–0x0006 3FFF	Block 1 SRAM 0x000C 0000–0x000C 5555	Block 1 SRAM 0x000C 0000–0x000C 7FFF	Block 1 SRAM 0x0018 0000–0x0018 FFFF
Reserved 0x0006 4000–0x0007 7FFF	Reserved	Reserved 0x000C 8000–0x000E FFFF	Reserved 0x0019 0000–0x001D FFFF
Block 1 ROM 0x0007 8000–0x0007 FFFF	Block 1 ROM 0x000E 0000–0x000E AAAA	Block 1 ROM 0x000F 0000–0x000F FFFF	Block 1 ROM 0x001E 0000–0x001F FFFF

## Digital Application Interface (DAI)

The Digital application interface provides the ability to connect various peripherals to any of the SHARC DSP's DAI pins (DAI\_P20–1).

Connections are made using the signal routing unit (SRU), shown in the block diagram on Page 1).

The SRU is a matrix routing unit (or group of multiplexers) that enables the peripherals provided by the DAI to be interconnected under software control. This allows easy use of the DAI associated peripherals for a much wider variety of applications by using a larger set of algorithms than is possible with nonconfigurable signal paths.

The DAI also includes six serial ports, two precision clock generators (PCGs), an input data port (IDP), six flag outputs and six flag inputs, and three timers. The IDP provides an additional input path to the ADSP-2126x core, configurable as either eight channels of I<sup>2</sup>S or serial data, or as seven channels plus a single 20-bit wide synchronous parallel data acquisition port. Each data channel has its own DMA channel that is independent from the ADSP-2126x's serial ports.

For complete information on using the DAI, see the *ADSP-2126x SHARC DSP Peripherals Manual*.

## Serial Ports

The ADSP-2126x features six full duplex synchronous serial ports that provide an inexpensive interface to a wide variety of digital and mixed-signal peripheral devices such as the Analog Devices AD183x family of audio codecs, ADCs, and DACs. The serial ports are made up of two data lines, a clock, and frame sync. The data lines can be programmed to either transmit or receive and each data line has its own dedicated DMA channel.

Serial ports are enabled via 12 programmable and simultaneous receive or transmit pins that support up to 24 transmit or 24 receive channels of audio data when all six SPORTs are enabled, or six full duplex TDM streams of 128 channels per frame.

The serial ports operate at up to one-quarter of the DSP core clock rate, providing each with a maximum data rate of 50M bits/sec for a 200 MHz core and 37.5M bits/sec for a 150 MHz core. Serial port data can be automatically transferred to and from on-chip memory via a dedicated DMA. Each of the serial ports can work in conjunction with another serial port to provide TDM support. One SPORT provides two transmit signals while the other SPORT provides two receive signals. The frame sync and clock are shared.

Serial ports operate in four modes:

- Standard DSP serial mode
- Multichannel (TDM) mode
- I<sup>2</sup>S mode
- Left-justified sample pair mode

Left-justified sample pair mode is a mode where in each frame sync cycle, two samples of data are transmitted/received—one sample on the high segment of the frame sync, the other on the low segment of the frame sync. Programs have control over various attributes of this mode.

Each of the serial ports supports the left-justified sample-pair and I<sup>2</sup>S protocols (I<sup>2</sup>S is an industry-standard interface commonly used by audio codecs, ADCs, and DACs) with two data pins, allowing four left-justified sample-pair or I<sup>2</sup>S channels (using two stereo devices) per serial port with a maximum of up to 24 audio channels. The serial ports permit little-endian or big-endian transmission formats and word lengths selectable from 3 bits to 32 bits. For the left-justified sample pair and I<sup>2</sup>S modes, data-word lengths are selectable between 8 bits and 32 bits. Serial ports offer selectable synchronization and transmit modes as well as optional  $\mu$ -law or A-law companding selection on a per channel basis. Serial port clocks and frame syncs can be internally or externally generated.

## Serial Peripheral (Compatible) Interface

The serial peripheral interface is an industry-standard synchronous serial link, enabling the ADSP-2126x SPI-compatible port to communicate with other SPI-compatible devices. SPI is an interface consisting of two data pins, one device select pin, and one clock pin. It is a full-duplex synchronous serial interface, supporting both master and slave modes. The SPI port can operate in a multimaster environment by interfacing with up to four other SPI-compatible devices, either acting as a master or slave device. The ADSP-2126x SPI-compatible peripheral implementation also features programmable baud rates at up to 50 MHz for a core clock of 200 MHz and up to 37.5 MHz for a core clock of 150 MHz, clock phases, and polarities. The ADSP-2126x SPI-compatible port uses open-drain drivers to support a multimaster configuration and to avoid data contention.

## Parallel Port

The parallel port provides interfaces to SRAM and peripheral devices. The multiplexed address and data pins (AD15–0) can access 8-bit devices with up to 24 bits of address, or 16-bit devices with up to 16 bits of address. In either mode, 8- or 16-bit, the maximum data transfer rate is one-third the core clock speed. As an example, a clock rate of 200 MHz is equivalent to 66M byte/sec, and a clock rate of 150 MHz is equivalent to 50M byte/sec.

DMA transfers are used to move data to and from internal memory. Access to the core is also facilitated through the parallel port register read/write functions. The  $\overline{RD}$ ,  $\overline{WR}$ , and ALE (address latch enable) pins are the control pins for the parallel port.

## Timers

The ADSP-2126x has a total of four timers: a core timer able to generate periodic software interrupts, and three general-purpose timers that can generate periodic interrupts and be independently set to operate in one of three modes:

- Pulse waveform generation mode
- Pulse width count/capture mode
- External event watchdog mode

The core timer can be configured to use FLAG3 as a timer expired output signal, and each general-purpose timer has one bidirectional pin and four registers that implement its mode of operation: a 6-bit configuration register, a 32-bit count register, a 32-bit period register, and a 32-bit pulse width register. A single control and status register enables or disables all three general-purpose timers independently.

## ROM-Based Security

The ADSP-2126x has a ROM security feature that provides hardware support for securing user software code by preventing unauthorized reading from the internal code when enabled. When using this feature, the DSP does not boot-load any external code, executing exclusively from internal SRAM/ROM. Additionally, the DSP is not freely accessible via the JTAG port. Instead, a unique 64-bit key, which must be scanned in through

the JTAG or test access port, will be assigned to each customer. The device will ignore a wrong key. Emulation features and external boot modes are only available after the correct key is scanned.

## Program Booting

The internal memory of the ADSP-2126x boots at system power-up from an 8-bit EPROM via the parallel port, an SPI master, an SPI slave, or an internal boot. Booting is determined by the boot configuration (BOOT\_CFG1–0) pins.

## Phase-Locked Loop

The ADSP-2126x uses an on-chip phase-locked loop (PLL) to generate the internal clock for the core. On power-up, the CLK\_CFG1–0 pins are used to select ratios of 16:1, 8:1, and 3:1. After booting, numerous other ratios can be selected via software control. The ratios are made up of software configurable numerator values from 1 to 64 and software configurable divisor values of 2, 4, 8, and 16.

## Power Supplies

The ADSP-2126x has separate power supply connections for the internal ( $V_{DDINT}$ ), external ( $V_{DDEXT}$ ), and analog ( $A_{VDD}/A_{VSS}$ ) power supplies. The internal and analog supplies must meet the 1.2 V requirement. The external supply must meet the 3.3 V requirement. All external supply pins must be connected to the same power supply.

Note that the analog supply pin ( $A_{VDD}$ ) powers the ADSP-2126x's internal clock generator PLL. To produce a stable clock, it is recommended that PCB designs use an external filter circuit for the  $A_{VDD}$  pin. Place the filter components as close as possible to the  $A_{VDD}/A_{VSS}$  pins. For an example circuit, see Figure 2. (A recommended ferrite chip is the muRata BLM18AG102SN1D). To reduce noise coupling, the PCB should use a parallel pair of power and ground planes for  $V_{DDINT}$  and GND. Use wide traces to connect the bypass capacitors to the analog power ( $A_{VDD}$ ) and ground ( $A_{VSS}$ ) pins. Note that the  $A_{VDD}$  and  $A_{VSS}$  pins specified in Figure 2 are inputs to the processor and not the analog ground plane on the board—the  $A_{VSS}$  pin should connect directly to digital ground (GND) at the chip.

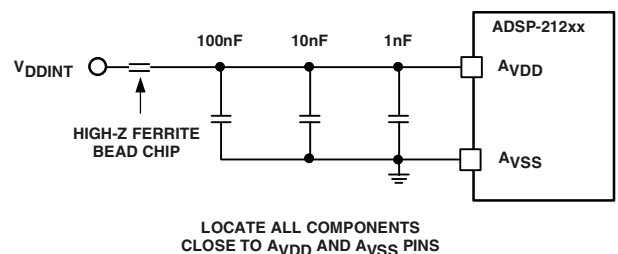


Figure 2. Analog Power Filter Circuit

# ADSP-21261/ADSP-21262/ADSP-21266

## TARGET BOARD JTAG EMULATOR CONNECTOR

Analog Devices DSP Tools product line of JTAG emulators uses the IEEE 1149.1 JTAG test access port of the ADSP-2126x processor to monitor and control the target board processor during emulation. Analog Devices DSP Tools product line of JTAG emulators provides emulation at full processor speed, allowing inspection and modification of memory, registers, and processor stacks. The processor's JTAG interface ensures that the emulator will not affect target system loading or timing.

For complete information on Analog Devices SHARC DSP Tools product line of JTAG emulator operation, see the appropriate emulator hardware user's guide.

## DEVELOPMENT TOOLS

Analog Devices supports its processors with a complete line of software and hardware development tools, including integrated development environments (which include CrossCore<sup>®</sup> Embedded Studio and/or VisualDSP++<sup>®</sup>), evaluation products, emulators, and a wide variety of software add-ins.

### Integrated Development Environments (IDEs)

For C/C++ software writing and editing, code generation, and debug support, Analog Devices offers two IDEs.

The newest IDE, CrossCore Embedded Studio, is based on the Eclipse™ framework. Supporting most Analog Devices processor families, it is the IDE of choice for future processors, including multicore devices. CrossCore Embedded Studio seamlessly integrates available software add-ins to support real time operating systems, file systems, TCP/IP stacks, USB stacks, algorithmic software modules, and evaluation hardware board support packages. For more information visit [www.analog.com/cces](http://www.analog.com/cces).

The other Analog Devices IDE, VisualDSP++, supports processor families introduced prior to the release of CrossCore Embedded Studio. This IDE includes the Analog Devices VDK real time operating system and an open source TCP/IP stack. For more information visit [www.analog.com/visualdsp](http://www.analog.com/visualdsp). Note that VisualDSP++ will not support future Analog Devices processors.

### EZ-KIT Lite Evaluation Board

For processor evaluation, Analog Devices provides wide range of EZ-KIT Lite<sup>®</sup> evaluation boards. Including the processor and key peripherals, the evaluation board also supports on-chip emulation capabilities and other evaluation and development features. Also available are various EZ-Extenders<sup>®</sup>, which are daughter cards delivering additional specialized functionality, including audio and video processing. For more information visit [www.analog.com](http://www.analog.com) and search on "ezkit" or "ezextender".

### EZ-KIT Lite Evaluation Kits

For a cost-effective way to learn more about developing with Analog Devices processors, Analog Devices offer a range of EZ-KIT Lite evaluation kits. Each evaluation kit includes an EZ-KIT Lite evaluation board, directions for downloading an evaluation version of the available IDE(s), a USB cable, and a power supply.

The USB controller on the EZ-KIT Lite board connects to the USB port of the user's PC, enabling the chosen IDE evaluation suite to emulate the on-board processor in-circuit. This permits the customer to download, execute, and debug programs for the EZ-KIT Lite system. It also supports in-circuit programming of the on-board Flash device to store user-specific boot code, enabling standalone operation. With the full version of CrossCore Embedded Studio or VisualDSP++ installed (sold separately), engineers can develop software for supported EZ-KITs or any custom system utilizing supported Analog Devices processors.

### Software Add-Ins for CrossCore Embedded Studio

Analog Devices offers software add-ins which seamlessly integrate with CrossCore Embedded Studio to extend its capabilities and reduce development time. Add-ins include board support packages for evaluation hardware, various middleware packages, and algorithmic modules. Documentation, help, configuration dialogs, and coding examples present in these add-ins are viewable through the CrossCore Embedded Studio IDE once the add-in is installed.

### Board Support Packages for Evaluation Hardware

Software support for the EZ-KIT Lite evaluation boards and EZ-Extender daughter cards is provided by software add-ins called Board Support Packages (BSPs). The BSPs contain the required drivers, pertinent release notes, and select example code for the given evaluation hardware. A download link for a specific BSP is located on the web page for the associated EZ-KIT or EZ-Extender product. The link is found in the *Product Download* area of the product web page.

### Middleware Packages

Analog Devices separately offers middleware add-ins such as real time operating systems, file systems, USB stacks, and TCP/IP stacks. For more information see the following web pages:

- [www.analog.com/ucos3](http://www.analog.com/ucos3)
- [www.analog.com/ucfs](http://www.analog.com/ucfs)
- [www.analog.com/ucusb](http://www.analog.com/ucusb)
- [www.analog.com/lwip](http://www.analog.com/lwip)

### Algorithmic Modules

To speed development, Analog Devices offers add-ins that perform popular audio and video processing algorithms. These are available for use with both CrossCore Embedded Studio and VisualDSP++. For more information visit [www.analog.com](http://www.analog.com) and search on "Blackfin software modules" or "SHARC software modules".

### Designing an Emulator-Compatible DSP Board (Target)

For embedded system test and debug, Analog Devices provides a family of emulators. On each JTAG DSP, Analog Devices supplies an IEEE 1149.1 JTAG Test Access Port (TAP). In-circuit emulation is facilitated by use of this JTAG interface. The emulator accesses the processor's internal features via the processor's TAP, allowing the developer to load code, set



breakpoints, and view variables, memory, and registers. The processor must be halted to send data and commands, but once an operation is completed by the emulator, the DSP system is set to run at full speed with no impact on system timing. The emulators require the target board to include a header that supports connection of the DSP's JTAG port to the emulator.

For details on target board design issues including mechanical layout, single processor connections, signal buffering, signal termination, and emulator pod logic, see the *EE-68: Analog Devices JTAG Emulation Technical Reference* on the Analog Devices website ([www.analog.com](http://www.analog.com))—use site search on “EE-68.” This document is updated regularly to keep pace with improvements to emulator support.

## ADDITIONAL INFORMATION

This data sheet provides a general overview of the ADSP-2126x architecture and functionality. For detailed information on the ADSP-2126x family core architecture and instruction set, refer to the *ADSP-2126x SHARC DSP Core Manual* and the *ADSP-21160 SHARC DSP Instruction Set Reference*.

## RELATED SIGNAL CHAINS

A *signal chain* is a series of signal-conditioning electronic components that receive input (data acquired from sampling either real-time phenomena or from stored data) in tandem, with the output of one portion of the chain supplying input to the next. Signal chains are often used in signal processing applications to gather and process data or to apply system controls based on analysis of real-time phenomena. For more information about this term and related topics, see the “signal chain” entry in [Wikipedia](#) or the [Glossary of EE Terms](#) on the Analog Devices website.

Analog Devices eases signal processing system development by providing signal processing components that are designed to work together well. A tool for viewing relationships between specific applications and related components is available on the [www.analog.com](http://www.analog.com) website.

The Application Signal Chains page in the Circuits from the Lab™ site ([http://www.analog.com/signal\\_chains](http://www.analog.com/signal_chains)) provides:

- Graphical circuit block diagram presentation of signal chains for a variety of circuit types and applications
- Drill down links for components in each chain to selection guides and application information
- Reference designs applying best practice design techniques

# ADSP-21261/ADSP-21262/ADSP-21266

## PIN FUNCTION DESCRIPTIONS

The ADSP-2126x pin definitions are listed below. Inputs identified as synchronous (S) must meet timing requirements with respect to CLKIN (or with respect to TCK for TMS, TDI). Inputs identified as asynchronous (A) can be asserted asynchronously to CLKIN (or to TCK for TRST). Tie or pull unused inputs to  $V_{DDEXT}$  or GND, except for the following:

DAI\_Px, SPICLK, MISO, MOSI,  $\overline{EMU}$ , TMS,  $\overline{TRST}$ , TDI and AD15–0 (NOTE: These pins have internal pull-up resistors.)

The following symbols appear in the Type column of Table 6: A = asynchronous, G = ground, I = input, O = output, P = power supply, S = synchronous, (A/D) = active drive, (O/D) = open-drain, and T = three-state.

Table 6. Pin Descriptions

Pin	Type	State During and After Reset	Function
AD15–0	I/O/T	Rev. 0.1 silicon—AD15–0 pins are driven low both during and after reset. Rev. 0.2 silicon—AD15–0 pins are three-stated and pulled high both during and after reset.	<b>Parallel Port Address/Data.</b> The parallel port and its corresponding DMA unit output addresses and data for peripherals on these multiplexed pins. The multiplex state is determined by the ALE pin. The parallel port can operate in either 8-bit or 16-bit mode. Each AD pin has a 22.5 k $\Omega$ internal pull-up resistor. See <a href="#">Address Data Modes on Page 13</a> for details of the AD pin operation. For 8-bit mode: ALE is automatically asserted whenever a change occurs in the upper 16 external address bits, A23–8; ALE is used in conjunction with an external latch to retain the values of the A23–8. For 16-bit mode: ALE is automatically asserted whenever a change occurs in the address bits, A15–0; ALE is used in conjunction with an external latch to retain the values of the A15–0. To use these pins as flags (FLAG15–0), set (= 1) Bit 20 of the SYSCTL register and disable the parallel port. See <a href="#">Table 7 on Page 13</a> for a list of how the AD15–0 pins map to the flag pins. When configured in the IDP_PDAP_CTL register, the IDP Channel 0 can use these pins for parallel input data.
$\overline{RD}$	O	Output only, driven high <sup>1</sup>	<b>Parallel Port Read Enable.</b> $\overline{RD}$ is asserted low whenever the DSP reads 8-bit or 16-bit data from an external memory device. When AD15–0 are flags, this pin remains deasserted.
$\overline{WR}$	O	Output only, driven high <sup>1</sup>	<b>Parallel Port Write Enable.</b> $\overline{WR}$ is asserted low whenever the DSP writes 8-bit or 16-bit data to an external memory device. When AD15–0 are flags, this pin remains deasserted.
ALE	O	Output only, driven low <sup>1</sup>	<b>Parallel Port Address Latch Enable.</b> ALE is asserted whenever the DSP drives a new address on the parallel port address pin. On reset, ALE is active high. However, it can be reconfigured using software to be active low. When AD15–0 are flags, this pin remains deasserted.
FLAG3–0	I/O/A	Three-state	<b>Flag Pins.</b> Each FLAG pin is configured via control bits as either an input or output. As an input, it can be tested as a condition. As an output, it can be used to signal external peripherals. These pins can be used as an SPI interface slave select output during SPI mastering. These pins are also multiplexed with the $\overline{IRQx}$ and the TIMEXP signals. In SPI master boot mode, FLAG0 is the slave select pin that must be connected to an SPI EPROM. FLAG0 is configured as a slave select during SPI master boot. When Bit 16 is set (= 1) in the SYSCTL register, FLAG0 is configured as $\overline{IRQ0}$ . When Bit 17 is set (= 1) in the SYSCTL register, FLAG1 is configured as $\overline{IRQ1}$ . When Bit 18 is set (= 1) in the SYSCTL register, FLAG2 is configured as $\overline{IRQ2}$ . When Bit 19 is set (= 1) in the SYSCTL register, FLAG3 is configured as TIMEXP, which indicates that the system timer has expired.
DAI_P20–1	I/O/T	Three-state with programmable pull-up	<b>Digital Application Interface Pins.</b> These pins provide the physical interface to the SRU. The SRU configuration registers define the combination of on-chip peripheral inputs or outputs connected to the pin and to the pin's output enable. The configuration registers of these peripherals then determine the exact behavior of the pin. Any input or output signal present in the SRU can be routed to any of these pins. The SRU provides the connection from the serial ports, input data port, precision clock generators, and timers to the DAI_P20–1 pins. These pins have internal 22.5 k $\Omega$ pull-up resistors which are enabled on reset. These pull-ups can be disabled in the DAI_PIN_PULLUP register.

# ADSP-21261/ADSP-21262/ADSP-21266

**Table 6. Pin Descriptions (Continued)**

Pin	Type	State During and After Reset	Function
SPICLK	I/O	Three-state with pull-up enabled, driven high in SPI-master boot mode	<b>Serial Peripheral Interface Clock Signal.</b> Driven by the master, this signal controls the rate at which data is transferred. The master can transmit data at a variety of baud rates. SPICLK cycles once for each bit transmitted. SPICLK is a gated clock that is active during data transfers, only for the length of the transferred word. Slave devices ignore the serial clock if the slave select input is driven inactive (HIGH). SPICLK is used to shift out and shift in the data driven on the MISO and MOSI lines. The data is always shifted out on one clock edge and sampled on the opposite edge of the clock. Clock polarity and clock phase relative to data are programmable into the SPICLK control register and define the transfer format. SPICLK has a 22.5 k $\Omega$ internal pull-up resistor. If SPI master boot mode is selected, MOSI and SPICLK pins are driven during reset. These pins are not three-stated during reset in SPI master boot mode.
$\overline{\text{SPIDS}}$	I	Input only	<b>Serial Peripheral Interface Slave Device Select.</b> An active low signal used to select the DSP as an SPI slave device. This input signal behaves like a chip select, and is provided by the master device for the slave devices. In multimaster mode, the DSP's $\overline{\text{SPIDS}}$ signal can be driven by a slave device to signal to the DSP (as SPI master) that an error has occurred, as some other device is also trying to be the master device. If asserted low when the device is in master mode, it is considered a multimaster error. For a single master, multiple-slave configuration where flag pins are used, this pin must be tied or pulled high to $V_{\text{DDEXT}}$ on the master device. For ADSP-2126x to ADSP-2126x SPI interaction, any of the master ADSP-2126x's flag pins can be used to drive the $\overline{\text{SPIDS}}$ signal on the ADSP-2126x SPI slave device.
MOSI	I/O (O/D)	Three-state with pull-up enabled, driven low in SPI-master boot mode	<b>SPI Master Out Slave In.</b> If the ADSP-2126x is configured as a master, the MOSI pin becomes a data transmit (output) pin, transmitting output data. If the ADSP-2126x is configured as a slave, the MOSI pin becomes a data receive (input) pin, receiving input data. In an ADSP-2126x SPI interconnection, the data is shifted out from the MOSI output pin of the master and shifted into the MOSI input(s) of the slave(s). MOSI has a 22.5 k $\Omega$ internal pull-up resistor. If SPI master boot mode is selected, MOSI and SPICLK pins are driven during reset. These pins are not three-stated during reset in SPI master boot mode.
MISO	I/O (O/D)	Three-state with pull-up enabled	<b>SPI Master In Slave Out.</b> If the ADSP-2126x is configured as a master, the MISO pin becomes a data receive (input) pin, receiving input data. If the ADSP-2126x is configured as a slave, the MISO pin becomes a data transmit (output) pin, transmitting output data. In an ADSP-2126x SPI interconnection, the data is shifted out from the MISO output pin of the slave and shifted into the MISO input pin of the master. MISO has a 22.5 k $\Omega$ internal pull-up resistor. MISO can be configured as O/D by setting the OPD bit in the SPICLK register. <b>Note:</b> Only one slave is allowed to transmit data at any given time. To enable broadcast transmission to multiple SPI slaves, the DSP's MISO pin can be disabled by setting (= 1) Bit 5 (DMISO) of the SPICLK register.
BOOT_CFG1-0	I	Input only	<b>Boot Configuration Select.</b> Selects the boot mode for the DSP. The BOOT_CFG pins must be valid before reset is asserted. See <a href="#">Table 8 on Page 13</a> for a description of the boot modes.
CLKIN	I	Input only	<b>Local Clock In.</b> Used in conjunction with XTAL. CLKIN is the ADSP-2126x clock input. It configures the ADSP-2126x to use either its internal clock generator or an external clock source. Connecting the necessary components to CLKIN and XTAL enables the internal clock generator. Connecting the external clock to CLKIN while leaving XTAL unconnected configures the ADSP-2126x to use the external clock source such as an external clock oscillator. The core is clocked either by the PLL output or this clock input depending on the CLK_CFG1-0 pin settings. CLKIN should not be halted, changed, or operated below the specified frequency.
XTAL	O	Output only <sup>2</sup>	<b>Crystal Oscillator Terminal.</b> Used in conjunction with CLKIN to drive an external crystal.

# ADSP-21261/ADSP-21262/ADSP-21266

Table 6. Pin Descriptions (Continued)

Pin	Type	State During and After Reset	Function
CLK_CFG1-0	I	Input only	<b>Core/CLKIN Ratio Control.</b> These pins set the start up clock frequency. See <a href="#">Table 9</a> for a description of the clock configuration modes. Note that the operating frequency can be changed by programming the PLL multiplier and divider in the PMCTL register at any time after the core comes out of reset.
$\overline{\text{RESETOUT}}$	O	Output only	<b>Reset Out.</b> Drives out the core reset signal to an external device.
$\overline{\text{RESET}}$	I/A	Input only	<b>Processor Reset.</b> Resets the ADSP-2126x to a known state. Upon deassertion, there is a 4096 CLKIN cycle latency for the PLL to lock. After this time, the core begins program execution from the hardware reset vector address. The $\overline{\text{RESET}}$ input must be asserted (low) at power-up.
TCK	I	Input only <sup>3</sup>	<b>Test Clock (JTAG).</b> Provides a clock for JTAG boundary scan. TCK must be asserted (pulsed low) after power-up or held low for proper operation of the ADSP-2126x.
TMS	I/S	Three-state with pull-up enabled	<b>Test Mode Select (JTAG).</b> Used to control the test state machine. TMS has a 22.5 k $\Omega$ internal pull-up resistor.
TDI	I/S	Three-state with pull-up enabled	<b>Test Data Input (JTAG).</b> Provides serial data for the boundary scan logic. TDI has a 22.5 k $\Omega$ internal pull-up resistor.
TDO	O	Three-state <sup>4</sup>	<b>Test Data Output (JTAG).</b> Serial scan output of the boundary scan path.
$\overline{\text{TRST}}$	I/A	Three-state with pull-up enabled	<b>Test Reset (JTAG).</b> Resets the test state machine. $\overline{\text{TRST}}$ must be asserted (pulsed low) after power-up or held low for proper operation of the ADSP-2126x. $\overline{\text{TRST}}$ has a 22.5 k $\Omega$ internal pull-up resistor.
$\overline{\text{EMU}}$	O (O/D)	Three-state with pull-up enabled	<b>Emulation Status.</b> Must be connected to the ADSP-2126x Analog Devices DSP Tools product line of JTAG emulators target board connector only. $\overline{\text{EMU}}$ has a 22.5 k $\Omega$ internal pull-up resistor.
$V_{\text{DDINT}}$	P		<b>Core Power Supply.</b> Nominally +1.2 V dc and supplies the DSP's core processor (13 pins on the BGA package, 32 pins on the LQFP package).
$V_{\text{DDEXT}}$	P		<b>I/O Power Supply.</b> Nominally +3.3 V dc (6 pins on the BGA package, 10 pins on the LQFP package).
$A_{\text{VDD}}$	P		<b>Analog Power Supply.</b> Nominally +1.2 V dc and supplies the DSP's internal PLL (clock generator). This pin has the same specifications as $V_{\text{DDINT}}$ , except that added filtering circuitry is required. <a href="#">For more information, see Power Supplies on Page 7.</a>
$A_{\text{VSS}}$	G		<b>Analog Power Supply Return.</b>
GND	G		<b>Power Supply Return.</b> (54 pins on the BGA package, 39 pins on the LQFP package).

<sup>1</sup>  $\overline{\text{RD}}$ ,  $\overline{\text{WR}}$ , and ALE are continuously driven by the DSP and will not be three-stated.

<sup>2</sup> Output only is a three-state driver with its output path always enabled.

<sup>3</sup> Input only is a three-state driver, with both output path and pull-up disabled.

<sup>4</sup> Three-state is a three-state driver, with pull-up disabled.

## ADDRESS DATA PINS AS FLAGS

To use these pins as flags (FLAG15–0), set (= 1) Bit 20 of the SYSCCTL register and disable the parallel port.

**Table 7. AD15–0 to FLAG Pin Mapping**

AD Pin	Flag Pin	AD Pin	Flag Pin
AD0	FLAG8	AD8	FLAG0
AD1	FLAG9	AD9	FLAG1
AD2	FLAG10	AD10	FLAG2
AD3	FLAG11	AD11	FLAG3
AD4	FLAG12	AD12	FLAG4
AD5	FLAG13	AD13	FLAG5
AD6	FLAG14	AD14	FLAG6
AD7	FLAG15	AD15	FLAG7

## Boot Modes

**Table 8. Boot Mode Selection**

BOOT_CFG1–0	Booting Mode
00	SPI Slave Boot
01	SPI Master Boot
10	Parallel Port Boot via EPROM
11	Reserved

## CORE INSTRUCTION RATE TO CLKIN RATIO MODES

**Table 9. Core Instruction Rate/CLKIN Ratio Selection**

CLK_CFG1–0	Core to CLKIN Ratio
00	3:1
01	16:1
10	8:1
11	Reserved

## ADDRESS DATA MODES

Table 10 shows the functionality of the AD pins for 8-bit and 16-bit transfers to the parallel port. For 8-bit data transfers, ALE latches address bits A23–A8 when asserted, followed by address bits A7–A0 and data bits D7–D0 when deasserted. For 16-bit data transfers, ALE latches address bits A15–A0 when asserted, followed by data bits D15–D0 when deasserted.

**Table 10. Address/Data Mode Selection**

EP Data Mode	ALE	AD7–0 Function	AD15–8 Function
8-bit	Asserted	A15–8	A23–16
8-bit	Deasserted	D7–0	A7–0
16-bit	Asserted	A7–0	A15–8
16-bit	Deasserted	D7–0	D15–8

# ADSP-21261/ADSP-21262/ADSP-21266

## PRODUCT SPECIFICATIONS

### OPERATING CONDITIONS

Parameter <sup>1</sup>	Description	Min	Max	Unit
V <sub>DDINT</sub>	Internal (Core) Supply Voltage	1.14	1.26	V
A <sub>VDD</sub>	Analog (PLL) Supply Voltage	1.14	1.26	V
V <sub>DDEXT</sub>	External (I/O) Supply Voltage	3.13	3.47	V
V <sub>IH</sub>	High Level Input Voltage <sup>2</sup> @ V <sub>DDEXT</sub> = Max	2.0	V <sub>DDEXT</sub> + 0.5	V
V <sub>IL</sub>	Low Level Input Voltage <sup>2</sup> @ V <sub>DDEXT</sub> = Min	-0.5	+0.8	V
V <sub>IH_CLKIN</sub>	High Level Input Voltage <sup>3</sup> @ V <sub>DDEXT</sub> = Max	1.74	V <sub>DDEXT</sub> + 0.5	V
V <sub>IL_CLKIN</sub>	Low Level Input Voltage @ V <sub>DDEXT</sub> = Min	-0.5	+1.19	V
T <sub>AMB</sub> K Grade	Ambient Operating Temperature <sup>4, 5</sup>	0	+70	°C
T <sub>AMB</sub> B Grade	Ambient Operating Temperature <sup>4, 5</sup>	-40	+85	°C

<sup>1</sup> Specifications subject to change without notice.

<sup>2</sup> Applies to input and bidirectional pins: AD15-0, FLAG3-0, DAI\_Px, SPICLK, MOSI, MISO,  $\overline{\text{SPIDS}}$ , BOOT\_CFGx, CLK\_CFGx,  $\overline{\text{RESET}}$ , TCK, TMS, TDI,  $\overline{\text{TRST}}$ .

<sup>3</sup> Applies to input pin CLKIN.

<sup>4</sup> See [Thermal Characteristics on Page 38](#) for information on thermal specifications.

<sup>5</sup> See Engineer-to-Engineer Note (No. EE-216) for further information.

### ELECTRICAL CHARACTERISTICS

Parameter <sup>1</sup>	Description	Test Conditions	Min	Max	Unit
V <sub>OH</sub>	High Level Output Voltage <sup>2</sup>	@ V <sub>DDEXT</sub> = Min, I <sub>OH</sub> = -1.0 mA <sup>3</sup>	2.4		V
V <sub>OL</sub>	Low Level Output Voltage <sup>2</sup>	@ V <sub>DDEXT</sub> = Min, I <sub>OL</sub> = 1.0 mA <sup>3</sup>		0.4	V
I <sub>IH</sub>	High Level Input Current <sup>4, 5</sup>	@ V <sub>DDEXT</sub> = Max, V <sub>IN</sub> = V <sub>DDEXT</sub> Max		10	μA
I <sub>IL</sub>	Low Level Input Current <sup>4</sup>	@ V <sub>DDEXT</sub> = Max, V <sub>IN</sub> = 0 V		10	μA
I <sub>ILPU</sub>	Low Level Input Current Pull-Up <sup>5</sup>	@ V <sub>DDEXT</sub> = Max, V <sub>IN</sub> = 0 V		200	μA
I <sub>OZH</sub>	Three-State Leakage Current <sup>6, 7, 8</sup>	@ V <sub>DDEXT</sub> = Max, V <sub>IN</sub> = V <sub>DDEXT</sub> Max		10	μA
I <sub>OZL</sub>	Three-State Leakage Current <sup>6</sup>	@ V <sub>DDEXT</sub> = Max, V <sub>IN</sub> = 0 V		10	μA
I <sub>OZLPU</sub>	Three-State Leakage Current Pull-Up <sup>7</sup>	@ V <sub>DDEXT</sub> = Max, V <sub>IN</sub> = 0 V		200	μA
I <sub>DD-INTYP</sub>	Supply Current (Internal) <sup>9, 10, 11</sup>	t <sub>CCLK</sub> = 5.0 ns, V <sub>DDINT</sub> = 1.2 V, T <sub>AMB</sub> = +25°C		500	mA
I <sub>AVDD</sub>	Supply Current (Analog) <sup>11</sup>	A <sub>VDD</sub> = Max		10	mA
C <sub>IN</sub>	Input Capacitance <sup>12, 13</sup>	f <sub>IN</sub> = 1 MHz, T <sub>CASE</sub> = 25°C, V <sub>IN</sub> = 1.2 V		4.7	pF

<sup>1</sup> Specifications subject to change without notice.

<sup>2</sup> Applies to output and bidirectional pins: AD15-0,  $\overline{\text{RD}}$ ,  $\overline{\text{WR}}$ , ALE, FLAG3-0, DAI\_Px, SPICLK, MOSI, MISO,  $\overline{\text{EMU}}$ , TDO, CLKOUT, XTAL.

<sup>3</sup> See [Output Drive Currents on Page 37](#) for typical drive current capabilities.

<sup>4</sup> Applies to input pins: SPIDS, BOOT\_CFGx, CLK\_CFGx, TCK, RESET, CLKIN.

<sup>5</sup> Applies to input pins with 22.5 kΩ internal pull-ups:  $\overline{\text{TRST}}$ , TMS, TDI.

<sup>6</sup> Applies to three-statable pins: FLAG3-0.

<sup>7</sup> Applies to three-statable pins with 22.5 kΩ pull-ups: AD15-0, DAI\_Px, SPICLK, MISO, MOSI.

<sup>8</sup> Applies to open-drain output pins:  $\overline{\text{EMU}}$ , MISO, MOSI.

<sup>9</sup> Typical internal current data reflects nominal operating conditions.

<sup>10</sup> See Engineer-to-Engineer Note (EE-216) for further information.

<sup>11</sup> Characterized, but not tested.

<sup>12</sup> Applies to all signal pins.

<sup>13</sup> Guaranteed, but not tested.

## PACKAGE INFORMATION

The information presented in [Figure 3](#) provides details about the package branding for the ADSP-21266 processors. For a complete listing of product availability, see [Ordering Guide on Page 45](#).



Figure 3. Typical Package Brand

Table 11. Package Brand Information

Brand Key	Field Description
t	Temperature Range
pp	Package Type
Z	RoHS Compliant Option (optional)
cc	See Ordering Guide
vvvvv.x	Assembly Lot Code
n.n	Silicon Revision
#	RoHS Compliant Designation
yyww	Date Code

## ESD CAUTION



**ESD (electrostatic discharge) sensitive device.** Charged devices and circuit boards can discharge without detection. Although this product features patented or proprietary protection circuitry, damage may occur on devices subjected to high energy ESD. Therefore, proper ESD precautions should be taken to avoid performance degradation or loss of functionality.

## MAXIMUM POWER DISSIPATION

See *Estimating Power for the ADSP-21262 SHARC Processors (EE-216)* for detailed thermal and power information regarding maximum power dissipation. For information on package thermal specifications, see [Thermal Characteristics on Page 38](#).

## ABSOLUTE MAXIMUM RATINGS

Stresses greater than those listed in [Table 12](#) may cause permanent damage to the device. These are stress ratings only; functional operation of the device at these or any other conditions greater than those indicated in the operational sections of

this specification is not implied. Exposure to absolute maximum rating conditions for extended periods may affect device reliability.

Table 12. Absolute Maximum Ratings

Parameter	Rating
Internal (Core) Supply Voltage ( $V_{DDINT}$ )	-0.3 V to +1.4 V
Analog (PLL) Supply Voltage ( $A_{VDD}$ )	-0.3 V to +1.4 V
External (I/O) Supply Voltage ( $V_{DDEXT}$ )	-0.3 V to +3.8 V
Input Voltage -0.5 V to $V_{DDEXT}$	+0.5 V
Output Voltage Swing -0.5 V to $V_{DDEXT}$	+0.5 V
Load Capacitance	200 pF
Storage Temperature Range	-65°C to +150°C
Junction Temperature Under Bias	125°C

## TIMING SPECIFICATIONS

Use the exact timing information given. Do not attempt to derive parameters from the addition or subtraction of others. While addition or subtraction would yield meaningful results for an individual device, the values given in this data sheet reflect statistical variations and worst cases. Consequently, it is not meaningful to add parameters to derive longer times.

*Timing requirements* apply to signals that are controlled by circuitry external to the processor, such as the data input for a read operation. Timing requirements guarantee that the processor operates correctly with other devices.

*Switching characteristics* specify how the processor changes its signals. Circuitry external to the processor must be designed for compatibility with these signal characteristics. Switching characteristics describe what the processor will do in a given circumstance. Use switching characteristics to ensure that any timing requirement of a device connected to the processor (such as memory) is satisfied.

### Core Clock Requirements

The processor's internal clock (a multiple of CLKIN) provides the clock signal for timing internal memory, processor core, serial ports, and parallel port (as required for read/write strobes in asynchronous access mode). During reset, program the ratio between the DSP's internal clock frequency and external (CLKIN) clock frequency with the CLK\_CFG1-0 pins. To determine switching frequencies for the serial ports, divide down the internal clock, using the programmable divider control of each port (DIVx for the serial ports).

The processor's internal clock switches at higher frequencies than the system input clock (CLKIN). To generate the internal clock, the DSP uses an internal phase-locked loop (PLL). This PLL-based clocking minimizes the skew between the system clock (CLKIN) signal and the DSP's internal clock (the clock source for the parallel port logic and I/O pads).

# ADSP-21261/ADSP-21262/ADSP-21266

## Voltage Controlled Oscillator

In application designs, the PLL multiplier value should be selected in such a way that the VCO frequency never exceeds  $f_{VCO}$  specified in Table 16.

- The product of CLKIN and PLLM must never exceed 1/2 of  $f_{VCO}$  (max) in Table 16 if the input divider is not enabled (INDIV = 0).
- The product of CLKIN and PLLM must never exceed  $f_{VCO}$  (max) in Table 16 if the input divider is enabled (INDIV = 1).

The VCO frequency is calculated as follows:

$$f_{VCO} = 2 \times PLLM \times f_{INPUT}$$

$$f_{CCLK} = (2 \times PLLM \times f_{INPUT}) \div (2 \times PLLD)$$

where:

$$f_{VCO} = \text{VCO output}$$

$PLLM$  = Multiplier value programmed in the PMCTL register. During reset, the  $PLLM$  value is derived from the ratio selected using the CLK\_CFG pins in hardware.

$PLLD$  = 2, 4, 8, 16 based on the  $PLLD$  value programmed on the PMCTL register. During reset this value is 1.

$f_{INPUT}$  = is the input frequency to the PLL.

$f_{INPUT} = CLKIN$  when the input divider is disabled or

$f_{INPUT} = CLKIN \div 2$  when the input divider is enabled

Note the definitions of various clock periods that are a function of CLKIN and the appropriate ratio control shown in Table 13 and Table 14.

Table 13. CLKOUT and CCLK Clock Generation Operation

Timing Requirements	Description	Calculation
CLKIN	Input Clock	$1/t_{CK}$
CCLK	Core Clock	Variable, see equation

Table 14. Clock Periods

Timing Requirements	Description <sup>1</sup>
$t_{CK}$	CLKIN Clock Period
$t_{CCLK}$	(Processor) Core Clock Period
$t_{MCLK}$	Internal memory clock = $1/2 t_{CCLK}$
$t_{SCLK}$	Serial Port Clock Period = $(t_{CCLK}) \times SR$
$t_{SPICLK}$	SPI Clock Period = $(t_{CCLK}) \times SPIR$

<sup>1</sup> where:

SR = serial port-to-core clock ratio (wide range, determined by SPORT CLKDIV)

SPIR = SPI-to-core clock ratio (wide range, determined by SPIBAUD register)

SCLK = serial port clock

SPICLK = SPI clock

Figure 4 shows core to CLKIN relationships with external oscillator or crystal. The shaded divider/multiplier blocks denote where clock ratios can be set through hardware or software using the power management control register (PMCTL). For more information, see the ADSP-2126x SHARC Processor Peripherals Reference and Managing the Core PLL on Third-Generation SHARC Processors (EE-290).

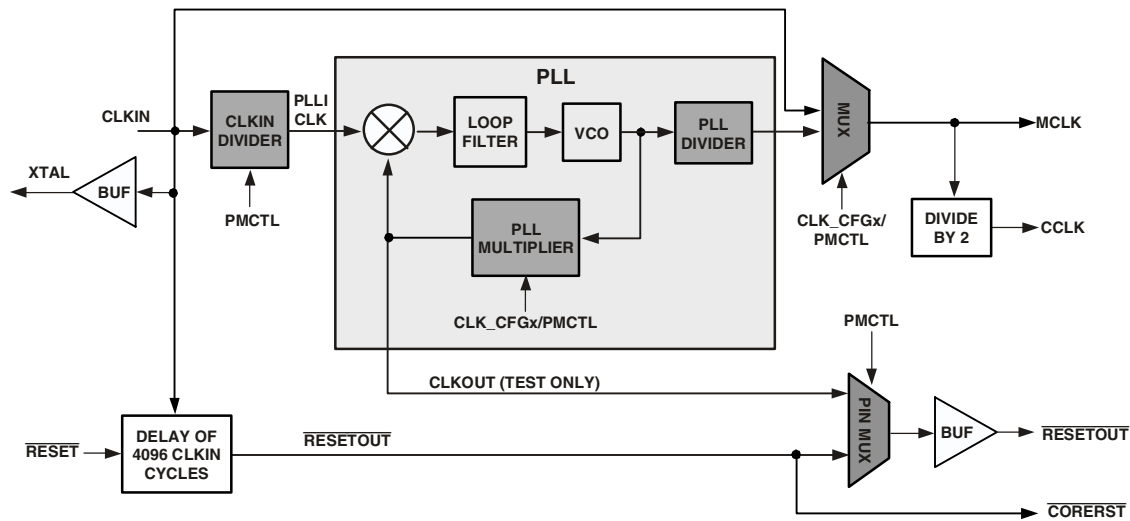


Figure 4. Core Clock and System Clock Relationship to CLKIN



## Power-Up Sequencing

The timing requirements for DSP startup are given in [Table 15](#) and [Figure 5](#). Note that during power-up, a leakage current of approximately 200  $\mu\text{A}$  may be observed on the  $\overline{\text{RESET}}$  pin. This leakage current results from the weak internal pull-up resistor on this pin being enabled during power-up.

**Table 15. Power-Up Sequencing (DSP Startup)**

Parameter		Min	Max	Unit
<i>Timing Requirements</i>				
$t_{\text{RSTVDD}}$	$\overline{\text{RESET}}$ Low Before $V_{\text{DDINT}}/V_{\text{DDEXT}}$ On	0		ns
$t_{\text{IVDDEVDD}}$	$V_{\text{DDINT}}$ On Before $V_{\text{DDEXT}}$	-50	+200	ms
$t_{\text{CLKVDD}}$	CLKIN Valid After $V_{\text{DDINT}}/V_{\text{DDEXT}}$ Valid <sup>1</sup>	0	200	ms
$t_{\text{CLKRST}}$	CLKIN Valid Before $\overline{\text{RESET}}$ Deasserted	$10^2$		$\mu\text{s}$
$t_{\text{PLLRST}}$	PLL Control Setup Before $\overline{\text{RESET}}$ Deasserted	$20^3$		$\mu\text{s}$
<i>Switching Characteristics</i>				
$t_{\text{CORERST}}$	DSP Core Reset Deasserted After $\overline{\text{RESET}}$ Deasserted	$4096 \times t_{\text{CK}}^{4,5}$		

<sup>1</sup> Valid  $V_{\text{DDINT}}/V_{\text{DDEXT}}$  assumes that the supplies are fully ramped to their 1.2 V and 3.3 V rails. Voltage ramp rates can vary from microseconds to hundreds of milliseconds depending on the design of the power supply subsystem.

<sup>2</sup> Assumes a stable CLKIN signal, after meeting worst-case startup timing of crystal oscillators. Refer to the crystal oscillator manufacturer's data sheet for startup time. Assume a 25 ms maximum oscillator startup time if using the XTAL pin and internal oscillator circuit in conjunction with an external crystal.

<sup>3</sup> Based on CLKIN cycles.

<sup>4</sup> Applies after the power-up sequence is complete. Subsequent resets require a minimum of four CLKIN cycles for  $\overline{\text{RESET}}$  to be held low in order to properly initialize and propagate default states at all I/O pins.

<sup>5</sup> The 4096 cycle count depends on  $t_{\text{SRST}}$  specification in [Table 17](#). If setup time is not met, one additional CLKIN cycle can be added to the core reset time, resulting in 4097 cycles maximum.

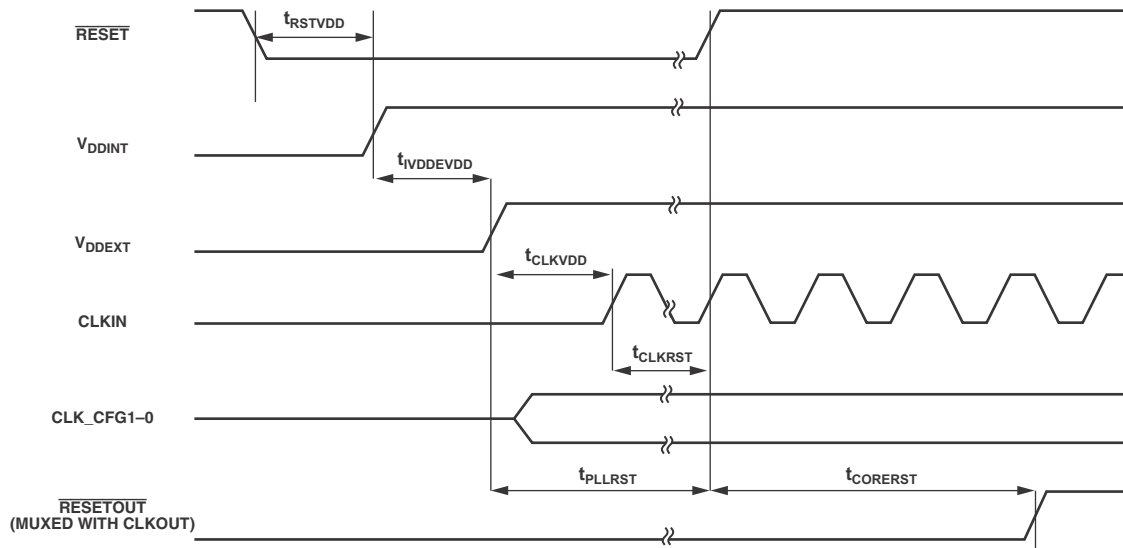


Figure 5. Power-Up Sequencing

# ADSP-21261/ADSP-21262/ADSP-21266

## Clock Input

See Table 16 and Figure 6.

Table 16. Clock Input

Parameter	150 MHz <sup>1</sup>		200 MHz <sup>2</sup>		Unit
	Min	Max	Min	Max	
<i>Timing Requirements</i>					
t <sub>CK</sub>	CLKIN Period		15 <sup>3</sup>	160 <sup>4</sup>	ns
t <sub>CKL</sub>	CLKIN Width Low		6 <sup>3</sup>	80 <sup>4</sup>	ns
t <sub>CKH</sub>	CLKIN Width High		6 <sup>3</sup>	80 <sup>4</sup>	ns
t <sub>CKRF</sub>	CLKIN Rise/Fall (0.4 V to 2.0 V)			3	ns
f <sub>VCO</sub> <sup>5</sup>	VCO Frequency		200	800	MHz
t <sub>CCLK</sub>	CCLK Period <sup>6</sup>		5	10	ns

<sup>1</sup> Applies to all 150 MHz models. See [Ordering Guide on Page 45](#).

<sup>2</sup> Applies to all 200 MHz models. See [Ordering Guide on Page 45](#).

<sup>3</sup> Applies only for CLK\_CFG1-0 = 00 and default values for PLL control bits in PMCTL.

<sup>4</sup> Applies only for CLK\_CFG1-0 = 01 and default values for PLL control bits in PMCTL.

<sup>5</sup> See [Figure 4 on Page 16](#) for VCO diagram.

<sup>6</sup> Any changes to PLL control bits in the PMCTL register must meet core clock timing specification t<sub>CCLK</sub>.

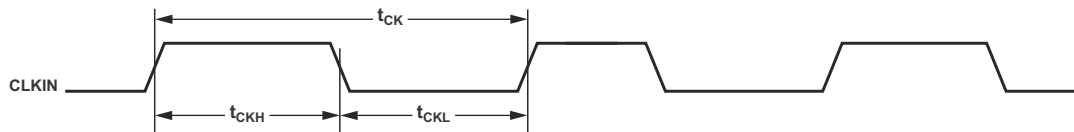
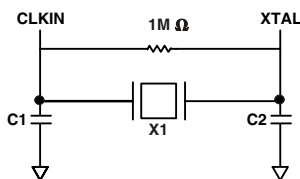


Figure 6. Clock Input

## Clock Signals

The ADSP-2126x can use an external clock or a crystal. See CLKIN pin description. The programmer can configure the ADSP-2126x to use its internal clock generator by connecting the necessary components to CLKIN and XTAL. [Figure 7](#) shows the component connections used for a crystal operating in fundamental mode. Note that the 200 MHz clock rate is achieved using a 12.5 MHz crystal and a PLL multiplier ratio 16:1 (CCLK:CLKIN).



NOTE: C1 AND C2 ARE SPECIFIC TO CRYSTAL SPECIFIED FOR X1. CONTACT CRYSTAL MANUFACTURER FOR DETAILS. CRYSTAL SELECTION MUST COMPLY WITH CLKCFG1-0 = 10 OR = 01.

Figure 7. 150 MHz or 200 MHz Operation with a 12.5 MHz Fundamental Mode Crystal

## Reset

See [Table 17](#) and [Figure 8](#).

**Table 17. Reset**

Parameter	Min	Max	Unit
<i>Timing Requirements</i>			
$t_{WRST}$ $\overline{RESET}$ Pulse Width Low <sup>1</sup>	$4 \times t_{CK}$		ns
$t_{SRST}$ $\overline{RESET}$ Setup Before CLKIN Low	8		ns

<sup>1</sup>Applies after the power-up sequence is complete. At power-up, the processor's internal phase-locked loop requires no more than 100  $\mu$ s while  $\overline{RESET}$  is low, assuming stable VDD and CLKIN (not including start-up time of external clock oscillator).

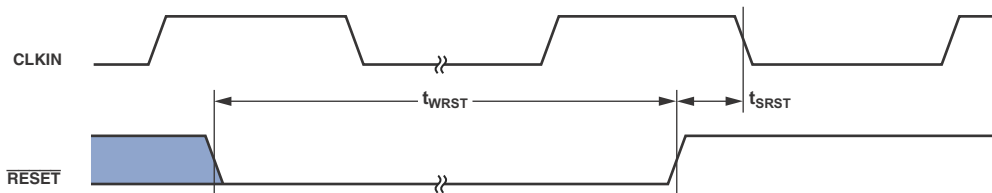


Figure 8. Reset

## Interrupts

The timing specification in [Table 18](#) and [Figure 9](#) applies to the FLAG0, FLAG1, and FLAG2 pins when they are configured as  $\overline{IRQ0}$ ,  $\overline{IRQ1}$ , and  $\overline{IRQ2}$  interrupts. Also applies to DAI\_P20-1 pins when configured as interrupts.

**Table 18. Interrupts**

Parameter	Min	Max	Unit
<i>Timing Requirements</i>			
$t_{IPW}$ $\overline{IRQx}$ Pulse Width	$2 t_{CLK} + 2$		ns

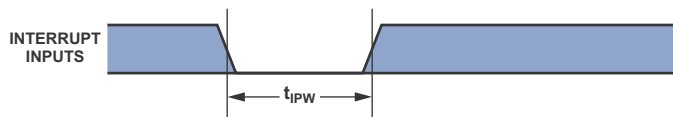


Figure 9. Interrupts

# ADSP-21261/ADSP-21262/ADSP-21266

## Core Timer

The timing specification in [Table 19](#) and [Figure 10](#) applies to FLAG3 when it is configured as the core timer (CTIMER).

**Table 19. Core Timer**

Parameter	Min	Max	Unit
<i>Switching Characteristics</i>			
$t_{WCTIM}$ CTIMER Pulse Width	$4 \times t_{CCLK} - 1$		ns

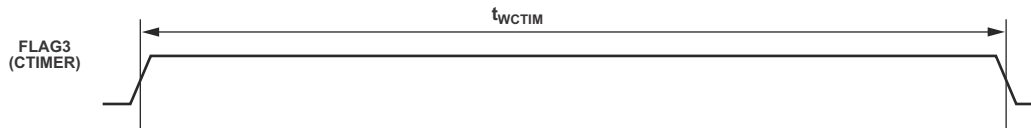


Figure 10. Core Timer

## Timer PWM\_OUT Cycle Timing

The timing specification in [Table 20](#) and [Figure 11](#) applies to Timer in PWM\_OUT (pulse-width modulation) mode. Timer signals are routed to the DAI\_P20-1 pins through the SRU. Therefore, the timing specifications provided below are valid at the DAI\_P20-1 pins.

**Table 20. Timer PWM\_OUT Timing**

Parameter	Min	Max	Unit
<i>Switching Characteristics</i>			
$t_{PWMO}$ Timer Pulse Width Output	$2 \times t_{CCLK} - 1$	$2(2^{31} - 1) \times t_{CCLK}$	ns

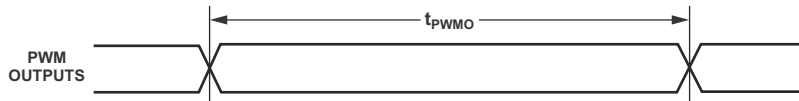


Figure 11. Timer PWM\_OUT Timing

## Timer WDT<sub>H</sub>\_CAP Timing

The timing specification in [Table 21](#) and [Figure 12](#) applies to Timer in WDT<sub>H</sub>\_CAP (pulse width count and capture) mode. Timer signals are routed to the DAI\_P20-1 pins through the SRU. Therefore, the timing specifications provided below are valid at the DAI\_P20-1 pins.

**Table 21. Timer Width Capture Timing**

Parameter	Min	Max	Unit
<i>Timing Requirements</i>			
$t_{PWI}$ Timer Pulse Width	$2 \times t_{CCLK}$	$2(2^{31} - 1) \times t_{CCLK}$	ns

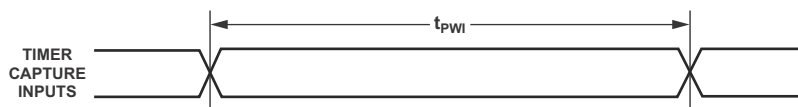


Figure 12. Timer Width Capture Timing

## DAI Pin-to-Pin Direct Routing

See [Table 22](#) and [Figure 13](#) for direct pin connections only (for example, DAI\_PB01\_I to DAI\_PB02\_O).

**Table 22. DAI Pin-to-Pin Routing**

Parameter	Min	Max	Unit
<i>Timing Requirements</i>			
$t_{DPiO}$ Delay DAI Pin Input Valid to DAI Output Valid	1.5	10	ns

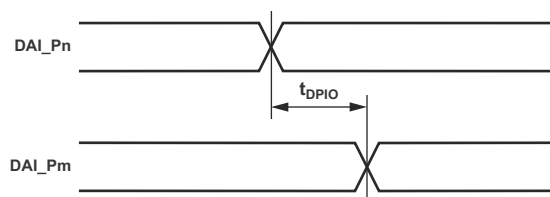


Figure 13. DAI Pin-to-Pin Direct Routing

# ADSP-21261/ADSP-21262/ADSP-21266

## Precision Clock Generator (Direct Pin Routing)

The timing in Table 23 and Figure 14 is valid only when the SRU is configured such that the precision clock generator (PCG) takes its inputs directly from the DAI pins (via pin buffers) and sends its outputs directly to the DAI pins. For the

other cases where the PCG's inputs and outputs are not directly routed to/from DAI pins (via pin buffers), there is no timing data available. All timing parameters and switching characteristics apply to external DAI pins (DAI\_P07–DAI\_P20).

Table 23. Precision Clock Generator (Direct Pin Routing)

Parameter		Min	Max	Unit
<i>Timing Requirements</i>				
$t_{PCGIW}$	Input Clock Pulse Width	20		ns
$t_{STRIG}$	PCG Trigger Setup Before Falling Edge of PCG Input Clock	2		ns
$t_{HTRIG}$	PCG Trigger Hold After Falling Edge of PCG Input Clock	2		ns
<i>Switching Characteristics</i>				
$t_{DPCGIO}$	PCG Output Clock and Frame Sync Active Edge Delay After PCG Input Clock Falling Edge	2.5	10	ns
$t_{DTRIG}$	PCG Output Clock and Frame Sync Delay After PCG Trigger	$2.5 + 2.5 \times t_{PCGOW}$	$10 + 2.5 \times t_{PCGOW}$	ns
$t_{PCGOW}$	Output Clock Pulse Width	40		ns

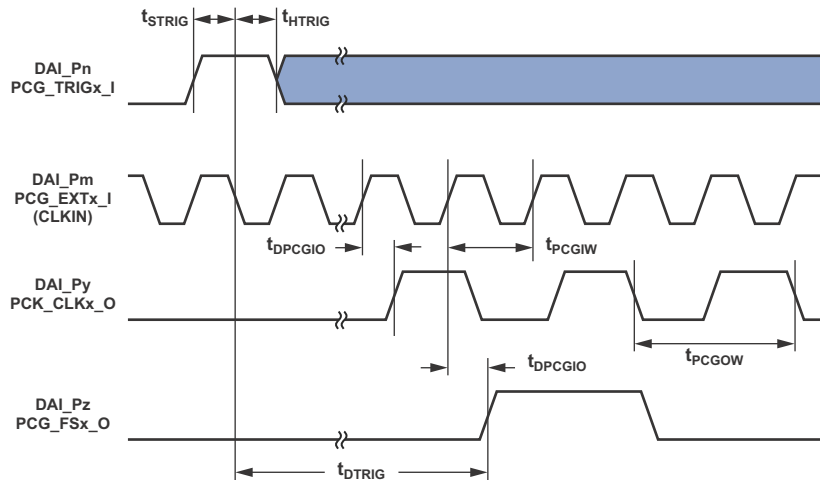


Figure 14. Precision Clock Generator (Direct Pin Routing)

## Flags

The timing specifications in [Table 24](#) and [Figure 15](#) apply to the FLAG3-0 and DAI\_P20-1 pins, the parallel port, and the serial peripheral interface. See [Table 6 on Page 10](#) for more information on flag use.

**Table 24. Flags**

Parameter	Min	Max	Unit
<i>Timing Requirements</i>			
$t_{FIPW}$ FLAG3-0 IN Pulse Width	$2 \times t_{CCLK} + 3$		ns
<i>Switching Characteristics</i>			
$t_{FOPW}$ FLAG3-0 OUT Pulse Width	$2 \times t_{CCLK} - 1$		ns

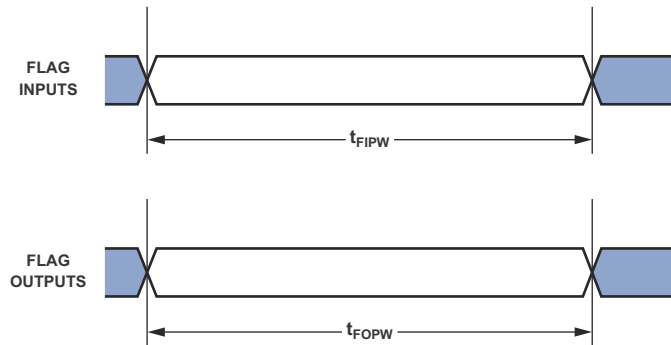


Figure 15. Flags

# ADSP-21261/ADSP-21262/ADSP-21266

## Memory Read—Parallel Port

The specifications in Table 25, Table 26, Figure 16, and Figure 17 are for asynchronous interfacing to memories (and memory-mapped peripherals) when the ADSP-2126x is accessing external memory space.

**Table 25. 8-Bit Memory Read Cycle**

Parameter		Min	Max	Unit
<i>Timing Requirements</i>				
$t_{DRS}$	Address/Data 7–0 Setup Before $\overline{RD}$ High	3.3		ns
$t_{DRH}$	Address/Data 7–0 Hold After $\overline{RD}$ High	0		ns
$t_{DAD}$	Address 15–8 to Data Valid		$D + 0.5 \times t_{CCLK} - 3.5$	ns
<i>Switching Characteristics</i>				
$t_{ALEW}$	ALE Pulse Width	$2 \times t_{CCLK} - 2$		ns
$t_{ALERW}$	ALE Deasserted to Read/Write Asserted	$1 \times t_{CCLK} - 0.5$		ns
$t_{ADAS}^1$	Address/Data 15–0 Setup Before ALE Deasserted	$2.5 \times t_{CCLK} - 2.0$		ns
$t_{ADAH}^1$	Address/Data 15–0 Hold After ALE Deasserted	$0.5 \times t_{CCLK} - 0.8$		ns
$t_{ALEHZ}^1$	ALE Deasserted to Address/Data 7–0 in High-Z	$0.5 \times t_{CCLK} - 0.8$	$0.5 \times t_{CCLK} + 2.0$	ns
$t_{RW}$	$\overline{RD}$ Pulse Width	$D - 2$		ns
$t_{ADRH}$	Address/Data 15–8 Hold After $\overline{RD}$ High	$0.5 \times t_{CCLK} - 1 + H$		ns

$D = (\text{The value set by the PPDUR Bits (5–1) in the PPCTL register}) \times t_{CCLK}$

$H = t_{CCLK}$  (if a hold cycle is specified, else  $H = 0$ )

<sup>1</sup> On reset, ALE is an active high cycle. However, it can be reconfigured by software to be active low.

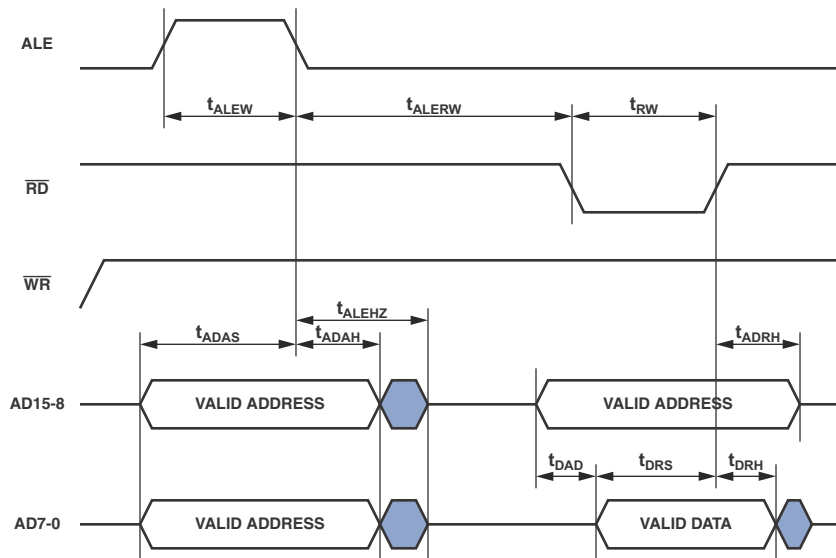


Figure 16. 8-Bit Memory Read Cycle



**Table 26. 16-Bit Memory Read Cycle**

Parameter		Min	Max	Unit
<i>Timing Requirements</i>				
$t_{DRS}$	Address/Data 15-0 Setup Before $\overline{RD}$ high	3.3		ns
$t_{DRH}$	Address/Data 15-0 Hold After $\overline{RD}$ high	0		ns
<i>Switching Characteristics</i>				
$t_{ALEW}$	ALE Pulse Width	$2 \times t_{CCLK} - 2$		ns
$t_{ALERW}$	ALE Deasserted to Read/Write Asserted	$1 \times t_{CCLK} - 0.5$		ns
$t_{ADAS}^1$	Address/Data 15-0 Setup Before ALE Deasserted	$2.5 \times t_{CCLK} - 2.0$		ns
$t_{ADAH}^1$	Address/Data 15-0 Hold After ALE Deasserted	$0.5 \times t_{CCLK} - 0.8$		ns
$t_{ALEHZ}^1$	ALE Deasserted to Address/Data 15-0 in High-Z	$0.5 \times t_{CCLK} - 0.8$	$0.5 \times t_{CCLK} + 2.0$	ns
$t_{RW}$	$\overline{RD}$ Pulse Width	D - 2		ns

D = (The value set by the PPDUR Bits (5-1) in the PPCTL register)  $\times t_{CCLK}$

H =  $t_{CCLK}$  (if a hold cycle is specified, else H = 0)

<sup>1</sup> On reset, ALE is an active high cycle. However, it can be reconfigured by software to be active low.

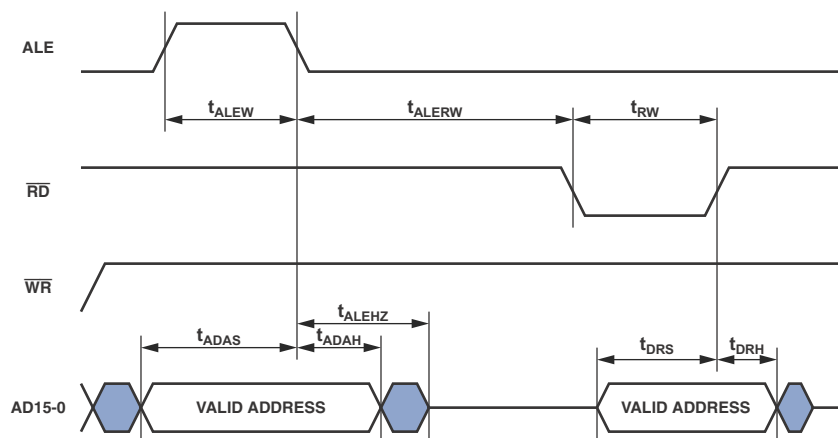


Figure 17. 16-Bit Memory Read Cycle

# ADSP-21261/ADSP-21262/ADSP-21266

## Memory Write—Parallel Port

Use the specifications in Table 27, Table 28, Figure 18, and Figure 19 for asynchronous interfacing to memories (and memory-mapped peripherals) when the ADSP-2126x is accessing external memory space.

Table 27. 8-Bit Memory Write Cycle

Parameter		Min	Max	Unit
<i>Switching Characteristics</i>				
$t_{ALEW}$	ALE Pulse Width	$2 \times t_{CCLK} - 2$		ns
$t_{ALERW}$	ALE Deasserted to Read/Write Asserted	$1 \times t_{CCLK} - 0.5$		ns
$t_{ADAS}^1$	Address/Data 15–0 Setup Before ALE Deasserted	$2.5 \times t_{CCLK} - 2.0$		ns
$t_{ADAH}^1$	Address/Data 15–0 Hold After ALE Deasserted	$0.5 \times t_{CCLK} - 0.8$		ns
$t_{WW}$	$\overline{WR}$ Pulse Width	$D - 2$		ns
$t_{ADWL}$	Address/Data 15–8 to $\overline{WR}$ Low	$0.5 \times t_{CCLK} - 1.5$		ns
$t_{ADWH}$	Address/Data 15–8 Hold After $\overline{WR}$ High	$0.5 \times t_{CCLK} - 1 + H$		ns
$t_{ALEHZ}$	ALE Deasserted to Address/Data 15–0 in High-Z	$0.5 \times t_{CCLK} - 0.8$	$0.5 \times t_{CCLK} + 2.0$	ns
$t_{DWS}$	Address/Data 7–0 Setup Before $\overline{WR}$ High	D		ns
$t_{DWH}$	Address/Data 7–0 Hold After $\overline{WR}$ High	$0.5 \times t_{CCLK} - 1.5 + H$		ns
$t_{DAWH}$	Address/Data to $\overline{WR}$ High	D		ns

D = (The value set by the PPDUR Bits (5–1) in the PPCTL register)  $\times t_{CCLK}$

H =  $t_{CCLK}$  (if a hold cycle is specified, else H = 0)

<sup>1</sup>On reset, ALE is an active high cycle. However, it can be reconfigured by software to be active low.

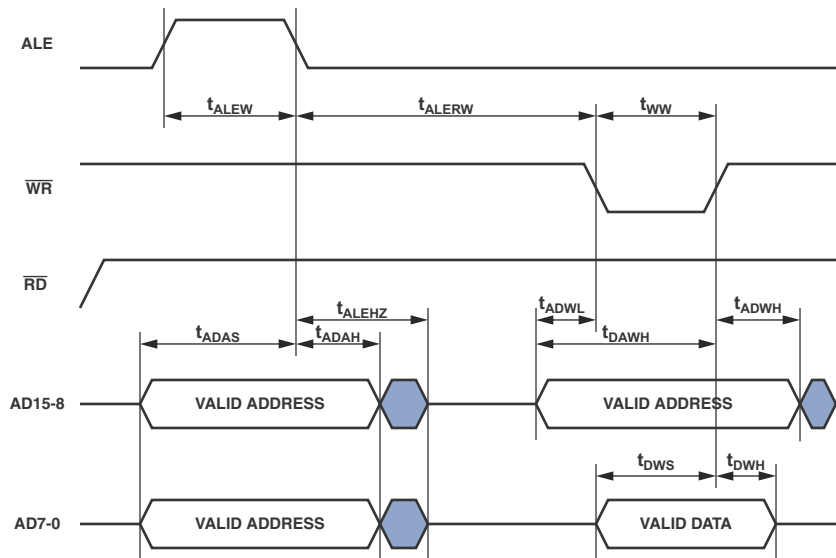


Figure 18. 8-Bit Memory Write Cycle

**Table 28. 16-Bit Memory Write Cycle**

Parameter		Min	Max	Unit
<i>Switching Characteristics</i>				
$t_{ALEW}$	ALE Pulse Width	$2 \times t_{CCLK} - 2$		ns
$t_{ALERW}$	ALE Deasserted to Read/Write Asserted	$1 \times t_{CCLK} - 0.5$		ns
$t_{ADAS}^1$	Address/Data 15–0 Setup Before ALE Deasserted	$2.5 \times t_{CCLK} - 2.0$		ns
$t_{ADAH}^1$	Address/Data 15–0 Hold After ALE Deasserted	$0.5 \times t_{CCLK} - 0.8$		ns
$t_{WW}$	$\overline{WR}$ Pulse Width	$D - 2$		ns
$t_{ALEHZ}^1$	ALE Deasserted to Address/Data 15–0 in High-Z	$0.5 \times t_{CCLK} - 0.8$	$0.5 \times t_{CCLK} + 2.0$	ns
$t_{DWS}$	Address/Data 15–0 Setup Before $\overline{WR}$ High	D		ns
$t_{DWH}$	Address/Data 15–0 Hold After $\overline{WR}$ High	$0.5 \times t_{CCLK} - 1.5 + H$		ns

D = (The value set by the PPDUR Bits (5–1) in the PPCTL register)  $\times t_{CCLK}$

H =  $t_{CCLK}$  (if a hold cycle is specified, else H = 0)

<sup>1</sup>On reset, ALE is an active high cycle. However, it can be reconfigured by software to be active low.

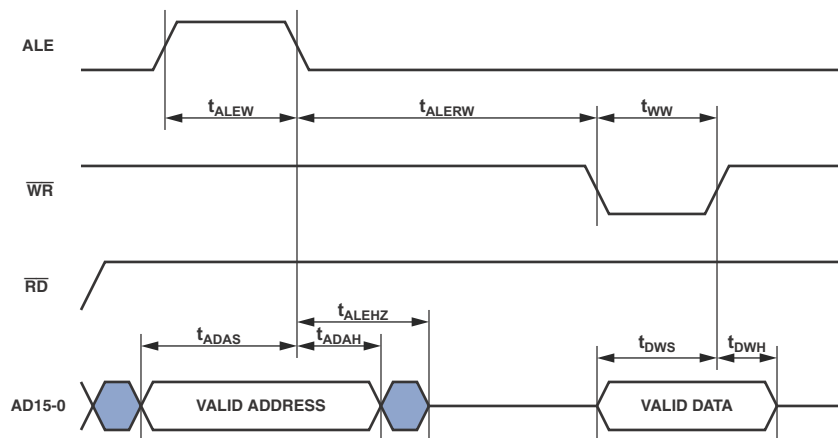


Figure 19. 16-Bit Memory Write Cycle

# ADSP-21261/ADSP-21262/ADSP-21266

## Serial Ports

To determine whether communication is possible between two devices at a given clock speed, the specifications in [Table 29](#), [Table 30](#), [Table 31](#), [Table 32](#), [Figure 20](#), [Figure 21](#), and [Figure 22](#) must be confirmed: 1) frame sync delay and frame sync setup and hold; 2) data delay and data setup and hold; and 3) SCLK width.

Serial port signals (SCLK, FS, DxA,/DxB) are routed to the DAI\_P20–1 pins using the SRU. Therefore, the timing specifications provided below are valid at the DAI\_P20–1 pins.

**Table 29. Serial Ports—External Clock**

Parameter	Min	Max	Unit
<i>Timing Requirements</i>			
t <sub>FSSE</sub> FS Setup Before SCLK (Externally Generated FS in Either Transmit or Receive Mode) <sup>1</sup>	2.5		ns
t <sub>HFSE</sub> FS Hold After SCLK (Externally Generated FS in Either Transmit or Receive Mode) <sup>1</sup>	2.5		ns
t <sub>SDRE</sub> Receive Data Setup Before Receive SCLK <sup>1</sup>	2.5		ns
t <sub>HDRE</sub> Receive Data Hold After SCLK <sup>1</sup>	2.5		ns
t <sub>SCLKW</sub> SCLK Width	7		ns
t <sub>SCLK</sub> SCLK Period	20		ns
<i>Switching Characteristics</i>			
t <sub>DFSE</sub> FS Delay After SCLK (Internally Generated FS in Either Transmit or Receive Mode) <sup>2</sup>		7	ns
t <sub>HOFSE</sub> FS Hold After SCLK (Internally Generated FS in Either Transmit or Receive Mode) <sup>2</sup>	2		ns
t <sub>DDTE</sub> Transmit Data Delay After Transmit SCLK <sup>2</sup>		7	ns
t <sub>HDTE</sub> Transmit Data Hold After Transmit SCLK <sup>2</sup>	2		ns

<sup>1</sup>Referenced to sample edge.

<sup>2</sup>Referenced to drive edge.

**Table 30. Serial Ports—Internal Clock**

Parameter	Min	Max	Unit
<i>Timing Requirements</i>			
t <sub>SFSI</sub> FS Setup Before SCLK (Externally Generated FS in Either Transmit or Receive Mode) <sup>1</sup>	6		ns
t <sub>HFSI</sub> FS Hold After SCLK (Externally Generated FS in Either Transmit or Receive Mode) <sup>1</sup>	1.5		ns
t <sub>SDRI</sub> Receive Data Setup Before SCLK <sup>1</sup>	6		ns
t <sub>HDRI</sub> Receive Data Hold After SCLK <sup>1</sup>	1.5		ns
<i>Switching Characteristics</i>			
t <sub>DFSI</sub> FS Delay After SCLK (Internally Generated FS in Transmit Mode) <sup>2</sup>		3	ns
t <sub>HOFSI</sub> FS Hold After SCLK (Internally Generated FS in Transmit Mode) <sup>2</sup>	–1.0		ns
t <sub>DFSI</sub> FS Delay After SCLK (Internally Generated FS in Receive Mode) <sup>2</sup>		3	ns
t <sub>HOFSI</sub> FS Hold After SCLK (Internally Generated FS in Receive Mode) <sup>2</sup>	–1.0		ns
t <sub>DDTI</sub> Transmit Data Delay After SCLK <sup>2</sup>		3	ns
t <sub>HDTI</sub> Transmit Data Hold After SCLK <sup>2</sup>	–1.0		ns
t <sub>SCLKIW</sub> Transmit or Receive SCLK Width	0.5t <sub>SCLK</sub> – 2	0.5t <sub>SCLK</sub> + 2	ns

<sup>1</sup>Referenced to the sample edge.

<sup>2</sup>Referenced to drive edge.

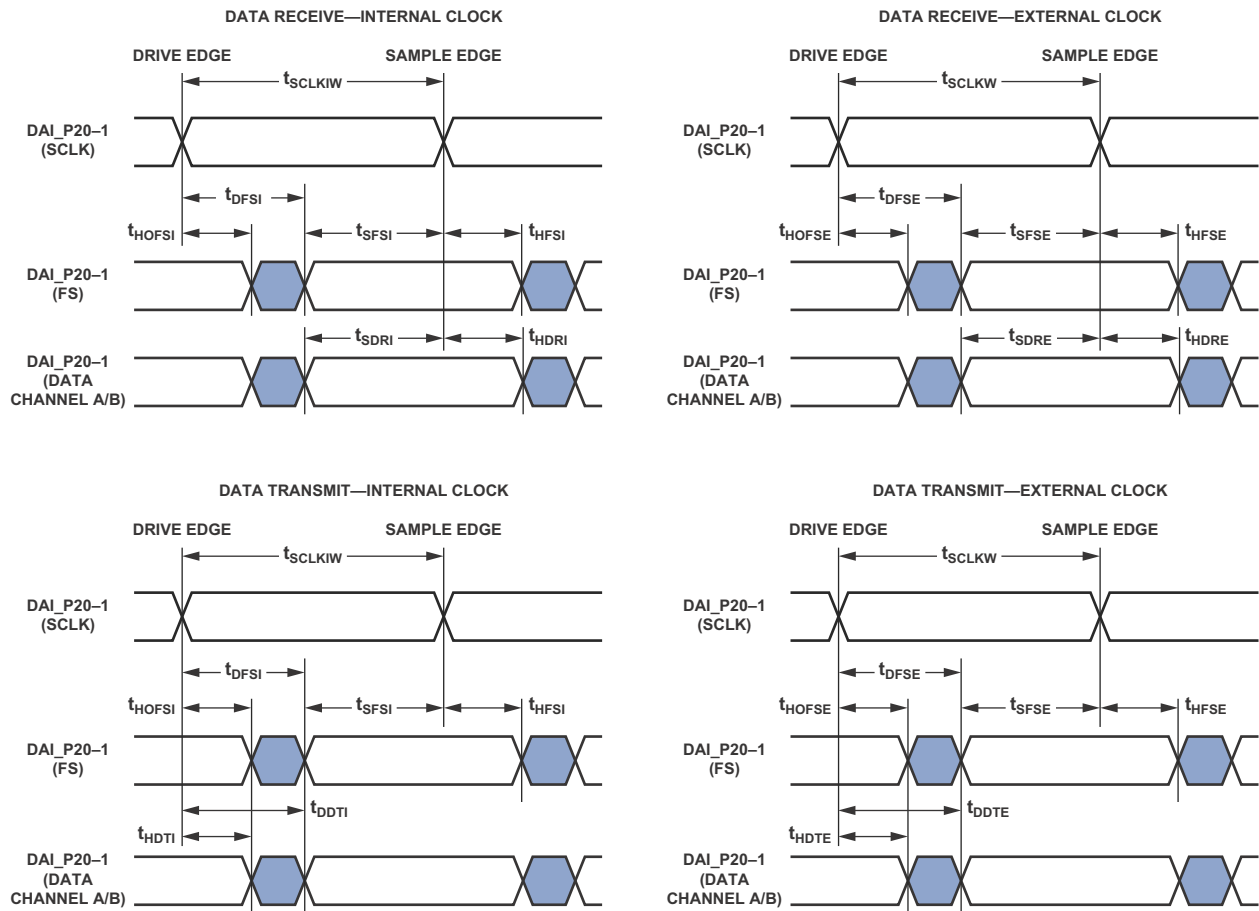


Figure 20. Serial Ports

# ADSP-21261/ADSP-21262/ADSP-21266

Table 31. Serial Ports—Enable and Three-State

Parameter		Min	Max	Unit
<i>Switching Characteristics</i>				
$t_{DDTEN}$	Data Enable from External Transmit SCLK <sup>1</sup>	2		ns
$t_{DDTTE}$	Data Disable from External Transmit SCLK <sup>1</sup>		7	ns
$t_{DDTIN}$	Data Enable from Internal Transmit SCLK <sup>1</sup>	-1		ns

<sup>1</sup>Referenced to drive edge.

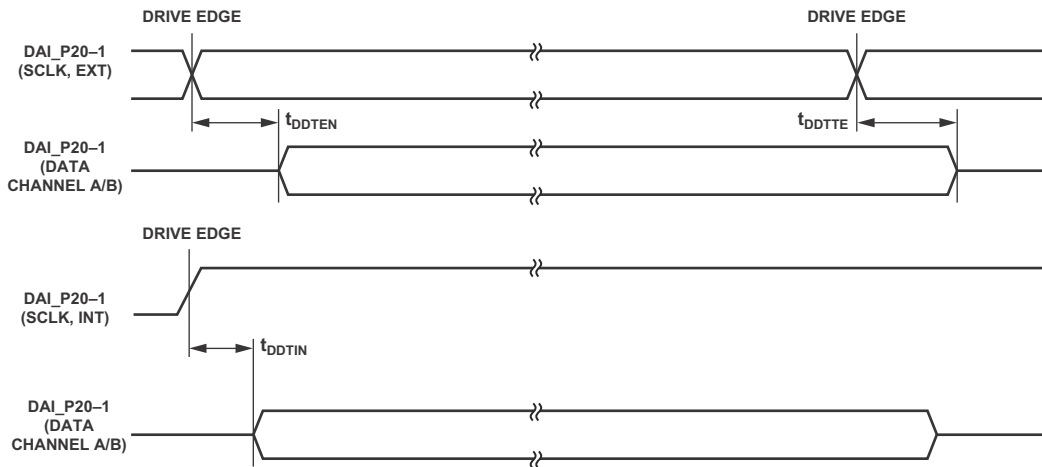


Figure 21. Enable and Three-State

**Table 32. Serial Ports—External Late Frame Sync**

Parameter	Min	Max	Unit
<i>Switching Characteristics</i>			
$t_{DDTLFSE}$ Data Delay from Late External Transmit FS or External Receive FS with MCE = 1, MFD = 0 <sup>1</sup>		7	ns
$t_{DDTENFS}$ Data Enable for MCE = 1, MFD = 0 <sup>1</sup>	0.5		ns

<sup>1</sup>The  $t_{DDTLFSE}$  and  $t_{DDTENFS}$  parameters apply to left-justified sample pair mode as well as DSP serial mode, and MCE = 1, MFD = 0.

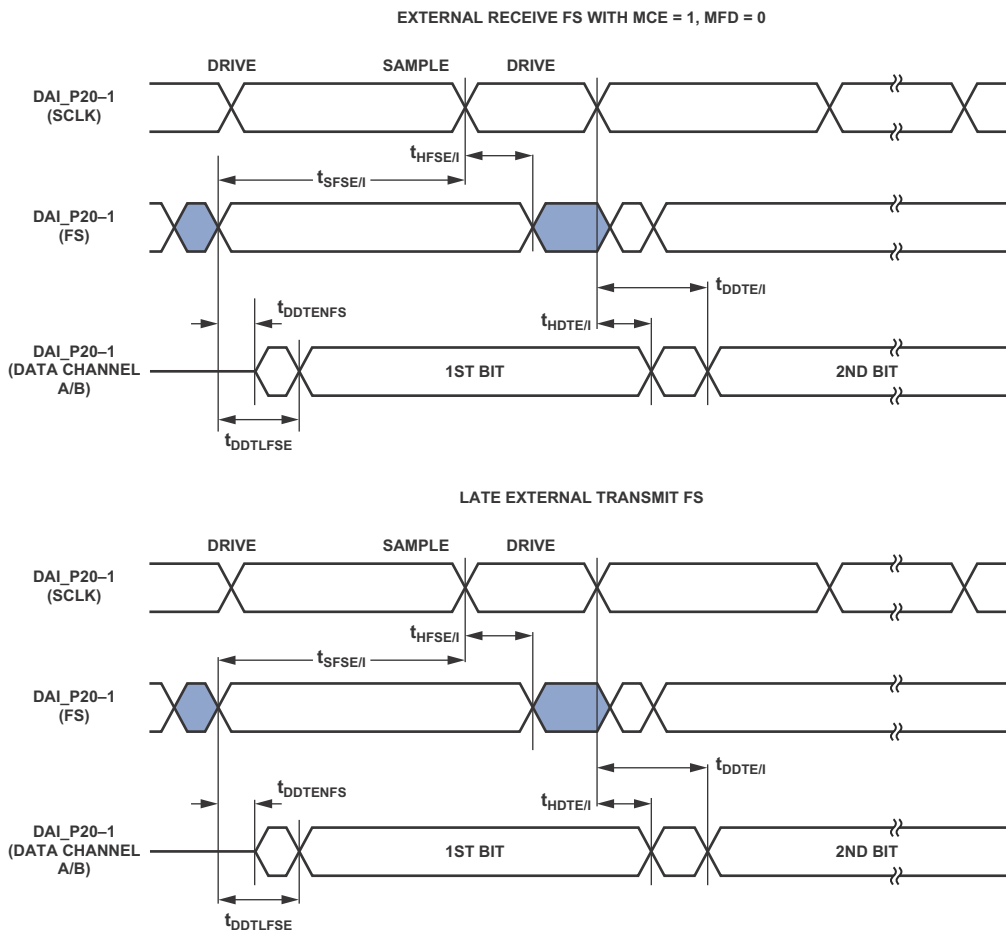


Figure 22. External Late Frame Sync<sup>1</sup>

<sup>1</sup>This figure reflects changes made to support left-justified sample pair mode.

# ADSP-21261/ADSP-21262/ADSP-21266

## Input Data Port (IDP)

The timing requirements for the IDP are given in [Table 33](#) and [Figure 23](#). IDP Signals (SCLK, FS, SDATA) are routed to the DAI\_P20-1 pins using the SRU. Therefore, the timing specifications provided below are valid at the DAI\_P20-1 pins.

**Table 33. Input Data Port (IDP)**

Parameter	Min	Max	Unit
<i>Timing Requirements</i>			
$t_{SISFS}$ FS Setup Before SCLK Rising Edge <sup>1</sup>	2.5		ns
$t_{SIHFS}$ FS Hold After SCLK Rising Edge <sup>1</sup>	2.5		ns
$t_{SISD}$ SDATA Setup Before SCLK Rising Edge <sup>1</sup>	2.5		ns
$t_{SIHD}$ SDATA Hold After SCLK Rising Edge <sup>1</sup>	2.5		ns
$t_{IDPCLKW}$ Clock Width	7		ns
$t_{IDPCLK}$ Clock Period	20		ns

<sup>1</sup> DATA, SCLK, FS can come from any of the DAI pins. SCLK and FS can also come via the precision clock generators (PCG) or SPORTs. PCG input can be either CLKIN or any of the DAI pins.

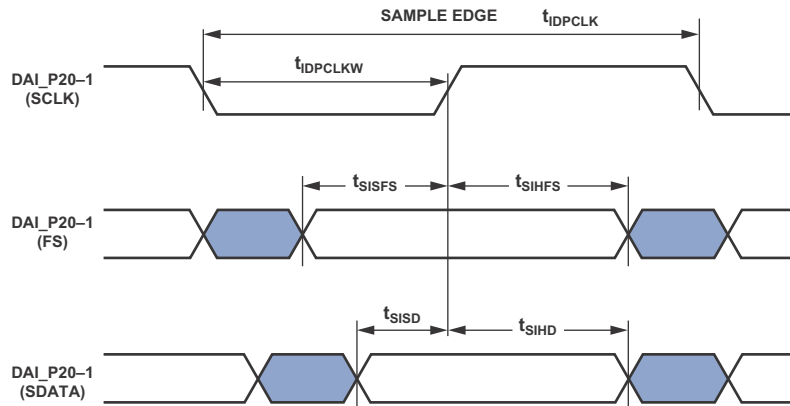


Figure 23. Input Data Port (IDP)



## Parallel Data Acquisition Port (PDAP)

The timing requirements for the PDAP are provided in [Table 34](#) and [Figure 24](#). PDAP is the parallel mode operation of Channel 0 of the IDP. For details on the operation of the IDP, see the IDP chapter of the *ADSP-2126x Peripherals Manual*.

Note that the most significant 16 bits of external PDAP data can be provided through either the parallel port AD15–0 or the DAI\_P20–5 pins. The remaining four bits can only be sourced through DAI\_P4–1. The timing below is valid at the DAI\_P20–1 pins or at the AD15–0 pins.

**Table 34. Parallel Data Acquisition Port (PDAP)**

Parameter		Min	Max	Unit
<i>Timing Requirements</i>				
$t_{SPHOLD}$	PDAP_HOLD Setup Before PDAP_CLK Sample Edge <sup>1</sup>	2.5		ns
$t_{HPHOLD}$	PDAP_HOLD Hold After PDAP_CLK Sample Edge <sup>1</sup>	2.5		ns
$t_{PDSD}$	PDAP_DAT Setup Before SCLK PDAP_CLK Sample Edge <sup>1</sup>	2.5		ns
$t_{PDHD}$	PDAP_DAT Hold After SCLK PDAP_CLK Sample Edge <sup>1</sup>	2.5		ns
$t_{PDCLKW}$	Clock Width	7		ns
$t_{PDCLK}$	Clock Period	20		ns
<i>Switching Characteristics</i>				
$t_{PDHLDD}$	Delay of PDAP Strobe After Last PDAP_CLK Capture Edge for a Word	$2 \times t_{CCLK}$		ns
$t_{PDSTRB}$	PDAP Strobe Pulse Width	$1 \times t_{CCLK} - 1$		ns

<sup>1</sup> Source pins of DATA are ADDR7–0, DATA7–0, or DAI pins. Source pins for SCLK and FS are: 1) DAI pins, 2) CLKIN through PCG, or 3) DAI pins through PCG.

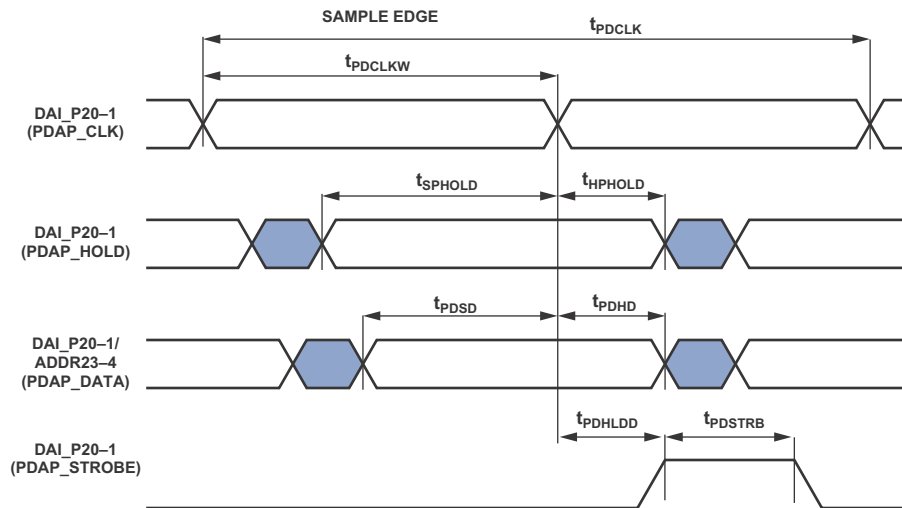


Figure 24. Parallel Data Acquisition Port (PDAP)

# ADSP-21261/ADSP-21262/ADSP-21266

## SPI Interface Protocol—Master

Table 35. SPI Interface Protocol—Master

Parameter		Min	Max	Unit
<i>Timing Requirements</i>				
$t_{SSPIDM}$	Data Input Valid to SPICLK Edge (Data Input Setup Time)	5		ns
$t_{HSPIDM}$	SPICLK Last Sampling Edge to Data Input Not Valid	2		ns
<i>Switching Characteristics</i>				
$t_{SPICLKM}$	Serial Clock Cycle	$8 \times t_{CCLK}$		ns
$t_{SPICHM}$	Serial Clock High Period	$4 \times t_{CCLK} - 2$		ns
$t_{SPICLM}$	Serial Clock Low Period	$4 \times t_{CCLK} - 2$		ns
$t_{DDSPIDM}$	SPICLK Edge to Data Out Valid (Data Out Delay Time)		3	ns
$t_{HDSPIDM}$	SPICLK Edge to Data Out Not Valid (Data Out Hold Time)	10		ns
$t_{SDSCIM}$	FLAG3-0 OUT (SPI Device Select) Low to First SPICLK Edge	$4 \times t_{CCLK} - 2$		ns
$t_{HDSM}$	Last SPICLK Edge to FLAG3-0 OUT High	$4 \times t_{CCLK} - 1$		ns
$t_{SPITDM}$	Sequential Transfer Delay	$4 \times t_{CCLK} - 1$		ns

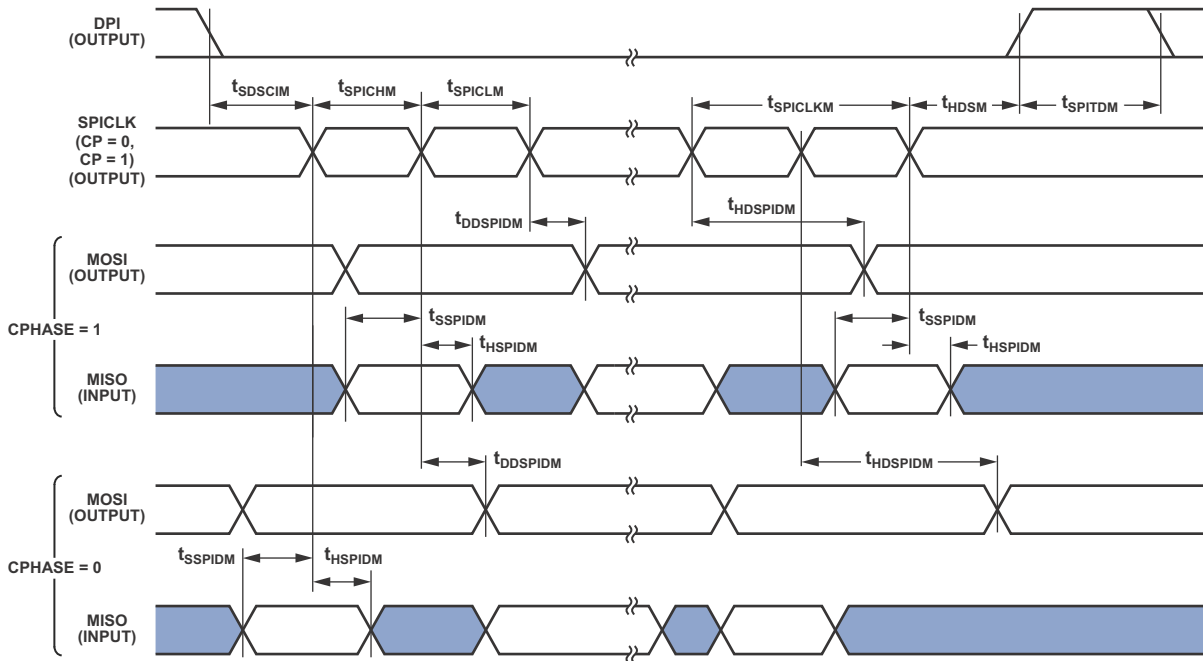


Figure 25. SPI Interface Protocol—Master

## SPI Interface Protocol—Slave

**Table 36. SPI Interface Protocol—Slave**

Parameter		Min	Max	Unit
<i>Timing Requirements</i>				
$t_{SPICLKs}$	Serial Clock Cycle	$4 \times t_{CCLK}$		ns
$t_{SPICHs}$	Serial Clock High Period	$2 \times t_{CCLK} - 2$		ns
$t_{SPICLs}$	Serial Clock Low Period	$2 \times t_{CCLK} - 2$		ns
$t_{SDSCO}$	$\overline{SPIDS}$ Assertion to First SPICLK Edge			
	CPHASE = 0	$2 \times t_{CCLK} + 1$		ns
$t_{HDS}$	CPHASE = 1	$2 \times t_{CCLK} + 1$		ns
	Last SPICLK Edge to $\overline{SPIDS}$ Not Asserted CPHASE = 0	$2 \times t_{CCLK}$		ns
$t_{SSPIDS}$	Data Input Valid to SPICLK Edge (Data Input Setup Time)	2		ns
$t_{HSPIDS}$	SPICLK Last Sampling Edge to Data Input Not Valid	2		ns
$t_{SDPPW}$	$\overline{SPIDS}$ Deassertion Pulse Width (CPHASE = 0)	$2 \times t_{CCLK}$		ns
<i>Switching Characteristics</i>				
$t_{DSOE}$	$\overline{SPIDS}$ Assertion to Data Out Active	0	5	ns
$t_{DSDHI}$	$\overline{SPIDS}$ Deassertion to Data High Impedance	0	5	ns
$t_{DDSPIDS}$	SPICLK Edge to Data Out Valid (Data Out Delay Time)		7.5	ns
$t_{HDSPIDS}$	SPICLK Edge to Data Out Not Valid (Data Out Hold Time)	$2 \times t_{CCLK} - 2$		ns
$t_{DSOV}$	$\overline{SPIDS}$ Assertion to Data Out Valid (CPHASE = 0)		$5 \times t_{CCLK} + 2$	ns

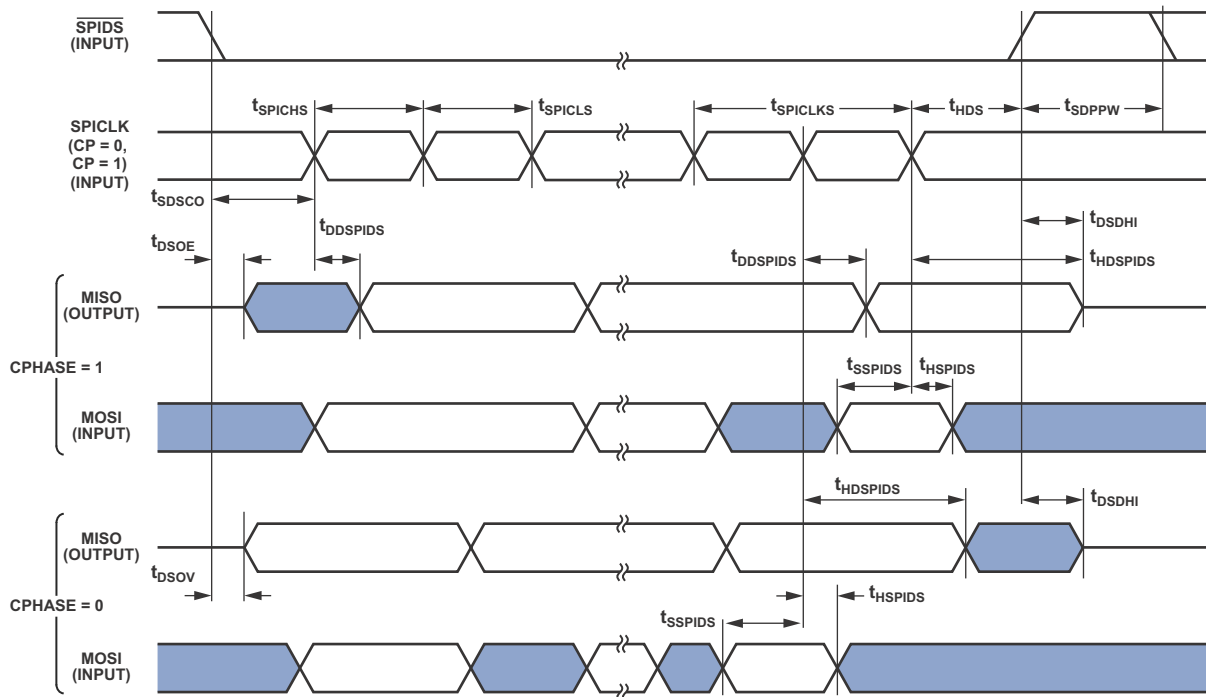


Figure 26. SPI Interface Protocol—Slave

# ADSP-21261/ADSP-21262/ADSP-21266

## JTAG Test Access Port and Emulation

Table 37. JTAG Test Access Port and Emulation

Parameter	Min	Max	Unit
<i>Timing Requirements</i>			
$t_{TCK}$ TCK Period	20		ns
$t_{STAP}$ TDI, TMS Setup Before TCK High	5		ns
$t_{HTAP}$ TDI, TMS Hold After TCK High	6		ns
$t_{SSYS}$ System Inputs Setup Before TCK High <sup>1</sup>	7		ns
$t_{HSYS}$ System Inputs Hold After TCK High <sup>1</sup>	8		ns
$t_{TRSTW}$ $\overline{TRST}$ Pulse Width	$4 \times t_{CK}$		ns
<i>Switching Characteristics</i>			
$t_{DTDO}$ TDO Delay from TCK Low		7	ns
$t_{DSYS}$ System Outputs Delay After TCK Low <sup>2</sup>		10	ns

<sup>1</sup>System Inputs = AD15-0,  $\overline{SPIDS}$ , CLK\_CFG1-0,  $\overline{RESET}$ ,  $\overline{BOOT\_CFG1-0}$ , MISO, MOSI, SPICLK, DAI\_Px, FLAG3-0.

<sup>2</sup>System Outputs = MISO, MOSI, SPICLK, DAI\_Px, AD15-0,  $\overline{RD}$ ,  $\overline{WR}$ , FLAG3-0, CLKOUT,  $\overline{EMU}$ , ALE.

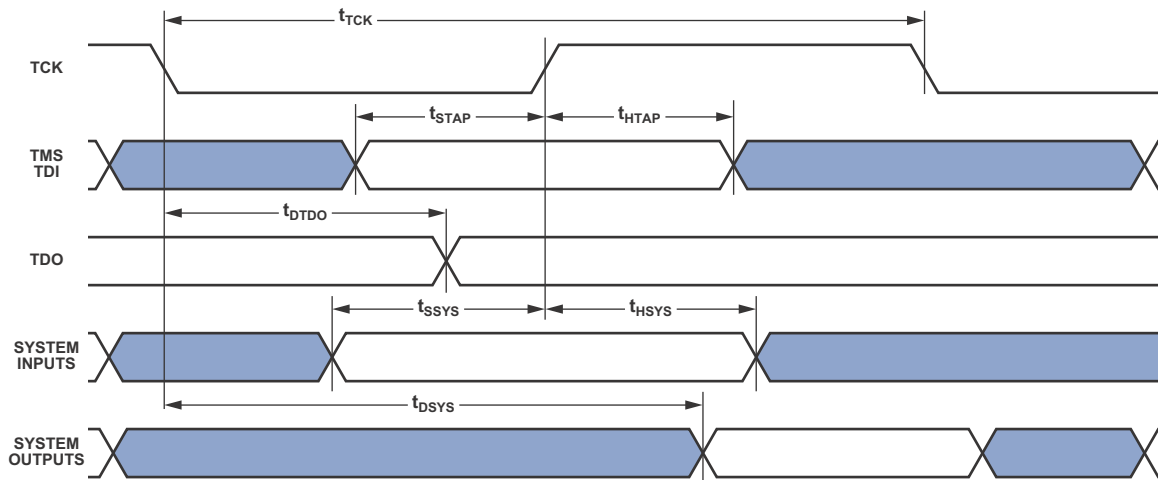


Figure 27. JTAG Test Access Port and Emulation

## OUTPUT DRIVE CURRENTS

Figure 28 shows typical I-V characteristics for the output drivers of the ADSP-2126x. The curves represent the current drive capability of the output drivers as a function of output voltage.

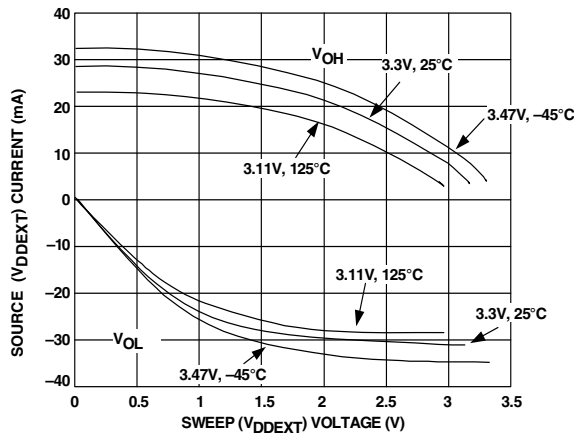


Figure 28. Typical Drive

## TEST CONDITIONS

The ac signal specifications (timing parameters) appear in Table 16 on Page 18 through Table 37 on Page 36. These include output disable time, output enable time, and capacitive loading.

Timing is measured on signals when they cross the 1.5 V level as described in Figure 30. All delays (in nanoseconds) are measured between the point that the first signal reaches 1.5 V and the point that the second signal reaches 1.5 V.

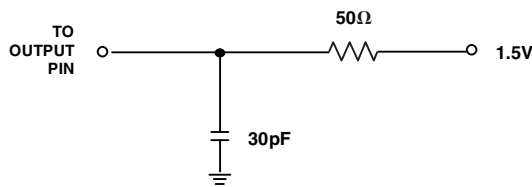


Figure 29. Equivalent Device Loading for AC Measurements (Includes All Fixtures)



Figure 30. Voltage Reference Levels for AC Measurements

## CAPACITIVE LOADING

Output delays and holds are based on standard capacitive loads: 30 pF on all pins (see Figure 29). Figure 32 shows graphically how output delays and holds vary with load capacitance (note that this graph or derating does not apply to output disable delays). The graphs of Figure 31, Figure 32, and Figure 33 may not be linear outside the ranges shown for Typical Output Delay vs. Load Capacitance and Typical Output Rise Time (20% to 80%,  $V = \text{Min}$ ) vs. Load Capacitance.

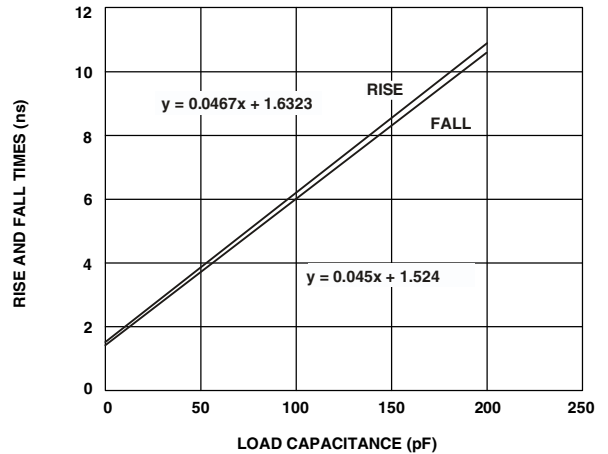


Figure 31. Typical Output Rise Time (20% to 80%,  $V_{DDEXT} = \text{Max}$ )

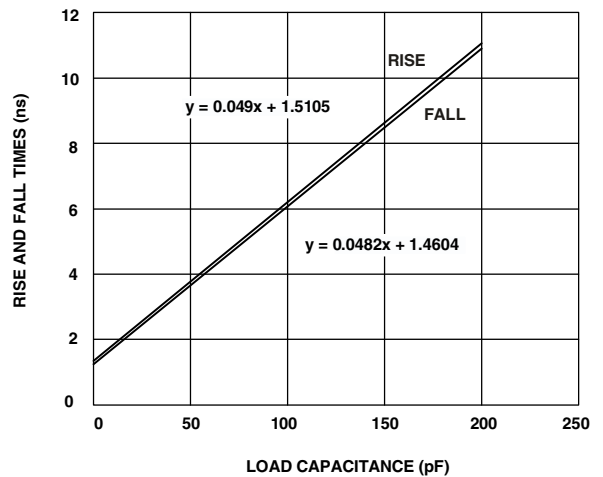


Figure 32. Typical Output Rise/Fall Time (20% to 80%,  $V_{DDEXT} = \text{Min}$ )

# ADSP-21261/ADSP-21262/ADSP-21266

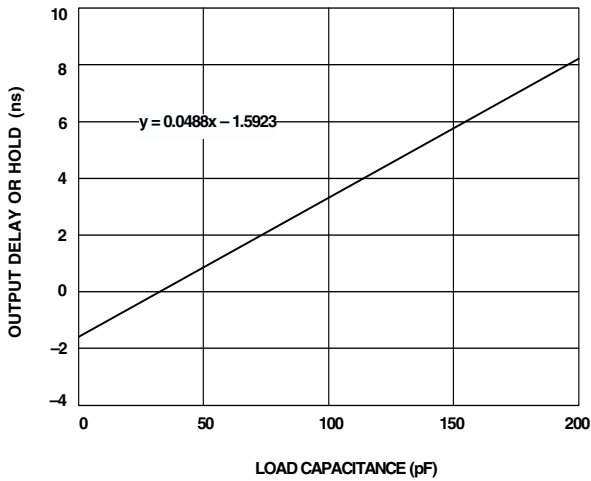


Figure 33. Typical Output Delay or Hold vs. Load Capacitance (at Ambient Temperature)

## ENVIRONMENTAL CONDITIONS

The ADSP-2126x processor is rated for performance under  $T_{AMB}$  environmental conditions specified in the [Operating Conditions on Page 14](#).

## THERMAL CHARACTERISTICS

[Table 38](#) and [Table 39](#) airflow measurements comply with JEDEC standards JESD51-2 and JESD51-6 and the junction-to-board measurement complies with JESD51-8. The junction-to-case measurement complies with MIL-STD-883. All measurements use a 2S2P JEDEC test board.

To determine the junction temperature of the device while on the application PCB, use

$$T_J = T_{CASE} + (\Psi_{JT} \times P_D)$$

where:

$T_J$  = junction temperature (°C)

$T_{CASE}$  = case temperature (°C) measured at the top center of the package

$\Psi_{JT}$  = junction-to-top (of package) characterization parameter is the typical value from [Table 38](#) and [Table 39](#) ( $\Psi_{JMT}$  indicates moving air).

$P_D$  = power dissipation. See *Estimating Power Dissipation for ADSP-21262 SHARC DSPs (EE-216)* for more information.

Values of  $\theta_{JA}$  are provided for package comparison and PCB design considerations ( $\theta_{JMA}$  indicates moving air).  $\theta_{JA}$  can be used for a first order approximation of  $T_J$  by the equation

$$T_J = T_A + (\theta_{JA} \times P_D)$$

where:

$T_A$  = ambient temperature (°C)

Values of  $\theta_{JC}$  are provided for package comparison and PCB design considerations when an external heat sink is required.

Table 38. Thermal Characteristics for 136-Ball BGA

Parameter	Condition	Typical	Unit
$\theta_{JA}$	Airflow = 0 m/s	31.0	°C/W
$\theta_{JMA}$	Airflow = 1 m/s	27.3	°C/W
$\theta_{JMA}$	Airflow = 2 m/s	26.0	°C/W
$\theta_{JC}$		6.99	°C/W
$\Psi_{JT}$	Airflow = 0 m/s	0.16	°C/W
$\Psi_{JMT}$	Airflow = 1 m/s	0.30	°C/W
$\Psi_{JMT}$	Airflow = 2 m/s	0.35	°C/W

Table 39. Thermal Characteristics for 144-Lead LQFP

Parameter	Condition	Typical	Unit
$\theta_{JA}$	Airflow = 0 m/s	32.5	°C/W
$\theta_{JMA}$	Airflow = 1 m/s	28.9	°C/W
$\theta_{JMA}$	Airflow = 2 m/s	27.8	°C/W
$\theta_{JC}$		7.8	°C/W
$\Psi_{JT}$	Airflow = 0 m/s	0.5	°C/W
$\Psi_{JMT}$	Airflow = 1 m/s	0.8	°C/W
$\Psi_{JMT}$	Airflow = 2 m/s	1.0	°C/W

## 144-LEAD LQFP PIN CONFIGURATIONS

Table 40 shows the ADSP-2126x's pin names and their default function after reset (in parentheses).

**Table 40. 144-Lead LQFP Pin Assignments**

Pin Name	LQFP Pin No.	Pin Name	LQFP Pin No.	Pin Name	LQFP Pin No.	Pin Name	LQFP Pin No.
V <sub>DDINT</sub>	1	V <sub>DDINT</sub>	37	V <sub>DDEXT</sub>	73	GND	109
CLK_CFG0	2	GND	38	GND	74	V <sub>DDINT</sub>	110
CLK_CFG1	3	$\overline{RD}$	39	V <sub>DDINT</sub>	75	GND	111
BOOT_CFG0	4	ALE	40	GND	76	V <sub>DDINT</sub>	112
BOOT_CFG1	5	AD15	41	DAI_P10 (SD2B)	77	GND	113
GND	6	AD14	42	DAI_P11 (SD3A)	78	V <sub>DDINT</sub>	114
V <sub>DDEXT</sub>	7	AD13	43	DAI_P12 (SD3B)	79	GND	115
GND	8	GND	44	DAI_P13 (SCLK23)	80	V <sub>DDEXT</sub>	116
V <sub>DDINT</sub>	9	V <sub>DDEXT</sub>	45	DAI_P14 (SFS23)	81	GND	117
GND	10	AD12	46	DAI_P15 (SD4A)	82	V <sub>DDINT</sub>	118
V <sub>DDINT</sub>	11	V <sub>DDINT</sub>	47	V <sub>DDINT</sub>	83	GND	119
GND	12	GND	48	GND	84	V <sub>DDINT</sub>	120
V <sub>DDINT</sub>	13	AD11	49	GND	85	$\overline{RESET}$	121
GND	14	AD10	50	DAI_P16 (SD4B)	86	$\overline{SPIDS}$	122
FLAG0	15	AD9	51	DAI_P17 (SD5A)	87	GND	123
FLAG1	16	AD8	52	DAI_P18 (SD5B)	88	V <sub>DDINT</sub>	124
AD7	17	DAI_P1 (SD0A)	53	DAI_P19 (SCLK45)	89	SPICLK	125
GND	18	V <sub>DDINT</sub>	54	V <sub>DDINT</sub>	90	MISO	126
V <sub>DDINT</sub>	19	GND	55	GND	91	MOSI	127
GND	20	DAI_P2 (SD0B)	56	GND	92	GND	128
V <sub>DDEXT</sub>	21	DAI_P3 (SCLK0)	57	V <sub>DDEXT</sub>	93	V <sub>DDINT</sub>	129
GND	22	GND	58	DAI_P20 (SFS45)	94	V <sub>DDEXT</sub>	130
V <sub>DDINT</sub>	23	V <sub>DDEXT</sub>	59	GND	95	A <sub>VDD</sub>	131
AD6	24	V <sub>DDINT</sub>	60	V <sub>DDINT</sub>	96	A <sub>VSS</sub>	132
AD5	25	GND	61	FLAG2	97	GND	133
AD4	26	DAI_P4 (SFS0)	62	FLAG3	98	$\overline{RESETOUT}$	134
V <sub>DDINT</sub>	27	DAI_P5 (SD1A)	63	V <sub>DDINT</sub>	99	$\overline{EMU}$	135
GND	28	DAI_P6 (SD1B)	64	GND	100	TDO	136
AD3	29	DAI_P7 (SCLK1)	65	V <sub>DDINT</sub>	101	TDI	137
AD2	30	V <sub>DDINT</sub>	66	GND	102	$\overline{TRST}$	138
V <sub>DDEXT</sub>	31	GND	67	V <sub>DDINT</sub>	103	TCK	139
GND	32	V <sub>DDINT</sub>	68	GND	104	TMS	140
AD1	33	GND	69	V <sub>DDINT</sub>	105	GND	141
AD0	34	DAI_P8 (SFS1)	70	GND	106	CLKIN	142
$\overline{WR}$	35	DAI_P9 (SD2A)	71	V <sub>DDINT</sub>	107	XTAL	143
V <sub>DDINT</sub>	36	V <sub>DDINT</sub>	72	V <sub>DDINT</sub>	108	V <sub>DDEXT</sub>	144

# ADSP-21261/ADSP-21262/ADSP-21266

## 136-BALL BGA PIN CONFIGURATIONS

Table 41 shows the ADSP-2126x's pin names and their default function after reset (in parentheses). Figure 34 on Page 42 shows the BGA package pin assignments.

Table 41. 136-Ball BGA Pin Assignments

Pin Name	BGA Pin No.	Pin Name	BGA Pin No.	Pin Name	BGA Pin No.	Pin Name	BGA Pin No.
CLK_CFG0	A01	CLK_CFG1	B01	BOOT_CFG1	C01	V <sub>DDINT</sub>	D01
XTAL	A02	GND	B02	BOOT_CFG0	C02	GND	D02
TMS	A03	V <sub>DDEXT</sub>	B03	GND	C03	GND	D04
TCK	A04	CLKIN	B04	GND	C12	GND	D05
TDI	A05	$\overline{\text{TRST}}$	B05	GND	C13	GND	D06
$\overline{\text{RESETOUT}}$	A06	A <sub>VSS</sub>	B06	V <sub>DDINT</sub>	C14	GND	D09
TDO	A07	A <sub>VDD</sub>	B07			GND	D10
$\overline{\text{EMU}}$	A08	V <sub>DDEXT</sub>	B08			GND	D11
MOSI	A09	SPICLK	B09			GND	D13
MISO	A10	$\overline{\text{RESET}}$	B10			V <sub>DDINT</sub>	D14
$\overline{\text{SPIDS}}$	A11	V <sub>DDINT</sub>	B11				
V <sub>DDINT</sub>	A12	GND	B12				
GND	A13	GND	B13				
GND	A14	GND	B14				
V <sub>DDINT</sub>	E01	FLAG1	F01	AD7	G01	AD6	H01
GND	E02	FLAG0	F02	V <sub>DDINT</sub>	G02	V <sub>DDEXT</sub>	H02
GND	E04	GND	F04	V <sub>DDEXT</sub>	G13	DAI_P18 (SD5B)	H13
GND	E05	GND	F05	DAI_P19 (SCLK45)	G14	DAI_P17 (SD5A)	H14
GND	E06	GND	F06				
GND	E09	GND	F09				
GND	E10	GND	F10				
GND	E11	GND	F11				
GND	E13	FLAG2	F13				
FLAG3	E14	DAI_P20 (SFS45)	F14				

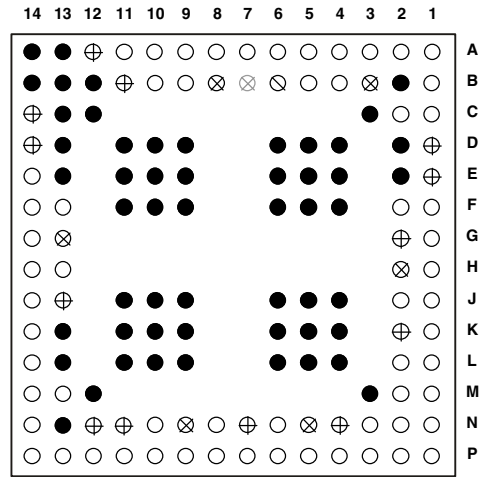


# ADSP-21261/ADSP-21262/ADSP-21266

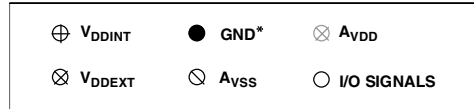
**Table 41. 136-Ball BGA Pin Assignments (Continued)**

Pin Name	BGA Pin No.	Pin Name	BGA Pin No.	Pin Name	BGA Pin No.	Pin Name	BGA Pin No.
AD5	J01	AD3	K01	AD2	L01	AD0	M01
AD4	J02	V <sub>DDINT</sub>	K02	AD1	L02	$\overline{WR}$	M02
GND	J04	GND	K04	GND	L04	GND	M03
GND	J05	GND	K05	GND	L05	GND	M12
GND	J06	GND	K06	GND	L06	DAI_P12 (SD3B)	M13
GND	J09	GND	K09	GND	L09	DAI_P13 (SCLK23)	M14
GND	J10	GND	K10	GND	L10		
GND	J11	GND	K11	GND	L11		
V <sub>DDINT</sub>	J13	GND	K13	GND	L13		
DAI_P16 (SD4B)	J14	DAI_P15 (SD4A)	K14	DAI_P14 (SFS23)	L14		
AD15	N01	AD14	P01				
ALE	N02	AD13	P02				
$\overline{RD}$	N03	AD12	P03				
V <sub>DDINT</sub>	N04	AD11	P04				
V <sub>DDEXT</sub>	N05	AD10	P05				
AD8	N06	AD9	P06				
V <sub>DDINT</sub>	N07	DAI_P1 (SD0A)	P07				
DAI_P2 (SD0B)	N08	DAI_P3 (SCLK0)	P08				
V <sub>DDEXT</sub>	N09	DAI_P5 (SD1A)	P09				
DAI_P4 (SFS0)	N10	DAI_P6 (SD1B)	P10				
V <sub>DDINT</sub>	N11	DAI_P7 (SCLK1)	P11				
V <sub>DDINT</sub>	N12	DAI_P8 (SFS1)	P12				
GND	N13	DAI_P9 (SD2A)	P13				
DAI_P10 (SD2B)	N14	DAI_P11 (SD3A)	P14				

# ADSP-21261/ADSP-21262/ADSP-21266



## KEY

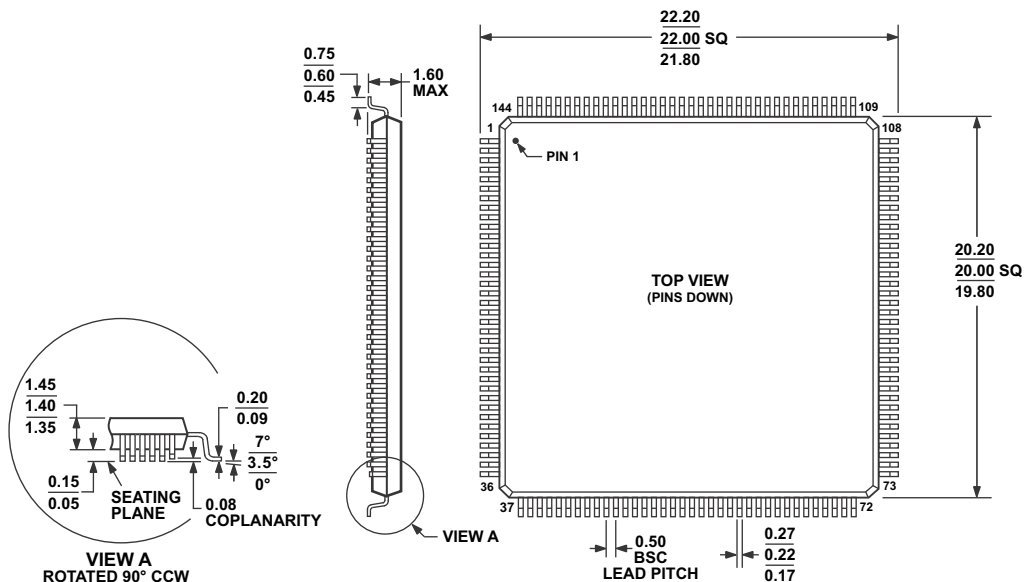


\*USE THE CENTER BLOCK OF GROUND PINS TO PROVIDE THERMAL PATHWAYS TO YOUR PRINTED CIRCUIT BOARD'S GROUND PLANE.

Figure 34. 136-Ball BGA Pin Assignments (Bottom View, Summary)

## OUTLINE DIMENSIONS

The ADSP-2126x is available in a 144-lead LQFP package and a 136-ball BGA package shown in [Figure 35](#) and [Figure 36](#).

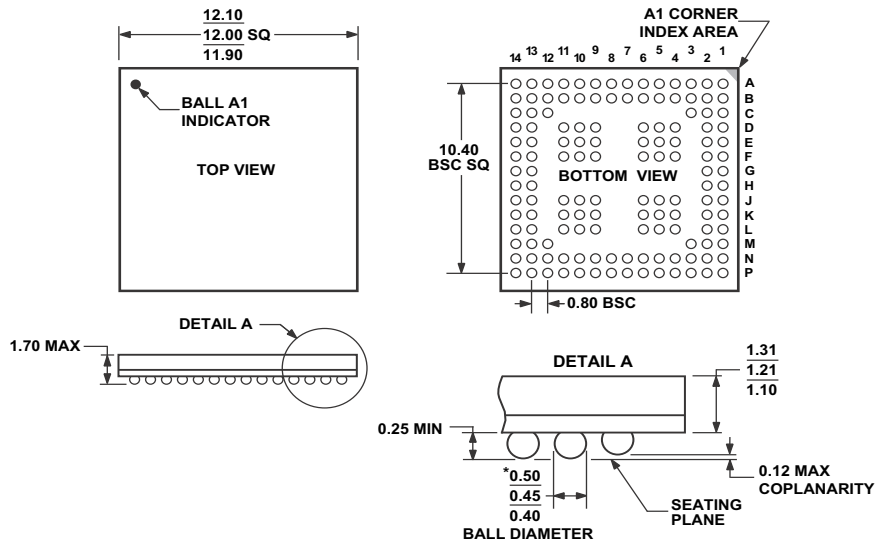


COMPLIANT TO JEDEC STANDARDS MS-026-BFB

Figure 35. 144-Lead Low Profile Flat Package [LQFP] (ST-144)

Dimensions shown in millimeters

# ADSP-21261/ADSP-21262/ADSP-21266



\*COMPLIANT WITH JEDEC STANDARDS MO-205-AE WITH EXCEPTION TO BALL DIAMETER.

Figure 36. 136-Ball Chip Scale Package Ball Grid Array [CSP\_BGA] (BC-136-1)

Dimensions shown in millimeters

## SURFACE-MOUNT DESIGN

Table 42 is provided as an aide to PCB design. For industry-standard design recommendations, refer to IPC-7351, *Generic Requirements for Surface-Mount Design and Land Pattern Standard*.

Table 42. BGA\_ED Data for Use with Surface-Mount Design

Package	Ball Attach Type	Solder Mask Opening	Ball Pad Size
136-Ball CSP_BGA (BC-136-1)	Solder Mask Defined (SMD)	0.4 mm	0.53 mm

# ADSP-21261/ADSP-21262/ADSP-21266

## AUTOMOTIVE PRODUCTS

The ADSP-21261W and ADSP-21262W are available for automotive applications with controlled manufacturing. Note that these special models may have specifications that differ from the general release models. Contact your local ADI account repre-

sentative or authorized ADI product distributor for specific product ordering information. Note that all automotive products are RoHS compliant.

## ORDERING GUIDE

Analog Devices offers a wide variety of audio algorithms and combinations to run on the ADSP-21266 DSP. For a complete list, visit our website at [www.analog.com/SHARC](http://www.analog.com/SHARC).

Model	Notes	Temperature Range <sup>1</sup>	Instruction Rate	On-Chip SRAM	ROM	Package Description	Package Option
ADSP-21261SKBCZ150	<sup>2</sup>	0°C to +70°C	150 MHz	1M bit	3M bit	136-Ball CSP_BGA	BC-136-1
ADSP-21261SKSTZ150	<sup>2</sup>	0°C to +70°C	150 MHz	1M bit	3M bit	144-Lead LQFP	ST-144
ADSP-21262SBBC-150		-40°C to +85°C	150 MHz	2M bit	4M bit	136-Ball CSP_BGA	BC-136-1
ADSP-21262SBBCZ150	<sup>2</sup>	-40°C to +85°C	150 MHz	2M bit	4M bit	136-Ball CSP_BGA	BC-136-1
ADSP-21262SKBC-200		0°C to +70°C	200 MHz	2M bit	4M bit	136-Ball CSP_BGA	BC-136-1
ADSP-21262SKBCZ200	<sup>2</sup>	0°C to +70°C	200 MHz	2M bit	4M bit	136-Ball CSP_BGA	BC-136-1
ADSP-21262SKSTZ200	<sup>2</sup>	0°C to +70°C	200 MHz	2M bit	4M bit	144-Lead LQFP	ST-144
ADSP-21266SKSTZ-1B	<sup>2,3</sup>	0°C to +70°C	150 MHz	2M bit	4M bit	144-Lead LQFP	ST-144
ADSP-21266SKSTZ-2B	<sup>2,3</sup>	0°C to +70°C	200 MHz	2M bit	4M bit	144-Lead LQFP	ST-144
ADSP-21266SKBCZ-2B	<sup>2,3</sup>	0°C to +70°C	200 MHz	2M bit	4M bit	136-Ball CSP_BGA	BC-136-1
ADSP-21266SKSTZ-1C	<sup>2,4</sup>	0°C to +70°C	150 MHz	2M bit	4M bit	144-Lead LQFP	ST-144
ADSP-21266SKSTZ-2C	<sup>2,4</sup>	0°C to +70°C	200 MHz	2M bit	4M bit	144-Lead LQFP	ST-144
ADSP-21266SKBCZ-2C	<sup>2,4</sup>	0°C to +70°C	200 MHz	2M bit	4M bit	136-Ball CSP_BGA	BC-136-1
ADSP-21266SKSTZ-1D	<sup>2,4</sup>	0°C to +70°C	150 MHz	2M bit	4M bit	144-Lead LQFP	ST-144
ADSP-21266SKSTZ-2D	<sup>2,4</sup>	0°C to +70°C	200 MHz	2M bit	4M bit	144-Lead LQFP	ST-144
ADSP-21266SKBCZ-2D	<sup>2,4</sup>	0°C to +70°C	200 MHz	2M bit	4M bit	136-Ball CSP_BGA	BC-136-1

<sup>1</sup> Referenced temperature is ambient temperature.

<sup>2</sup> Z = RoHS Compliant Part.

<sup>3</sup> B at end of part number indicates Rev. 0.1 silicon. See [Table 3 on Page 4](#) for multichannel surround sound decoder algorithms in on-chip B ROM.

<sup>4</sup> C and D at end of part number indicate Rev. 0.2 silicon. See [Table 3 on Page 4](#) for multichannel surround sound decoder algorithms in on-chip C and D ROM.





**ADSP-21261/ADSP-21262/ADSP-21266**





# Mouser Electronics

Authorized Distributor

Click to View Pricing, Inventory, Delivery & Lifecycle Information:

[Analog Devices Inc.:](#)

[ADSP-21261SKSTZ150](#) [ADSP-21262SKBCZ200](#) [ADSP-21262SKBC-200](#) [ADSP-21261SKBCZ150](#) [ADSP-21262SBBCZ150](#) [ADSP-21262SKSTZ200](#)