

## SHORTER, LOGIC LEVEL TACTILE MINI TRIM

LOGIC LEVEL 4-WAY OR 4-WAY PLUS CENTER PUSHBUTTON TACTILE MINI TRIM

TK with  
Molex ConnectorTK with  
Wire Leads  
(Coming Soon)

The TK Mini Trim is a tactile, 4-way, logic level, momentary contact switch with a center pushbutton option designed to fit easily in grips and control panels. The TK's shorter behind panel length is nearly 2/10" shorter than OTTO's traditional T4-T Mini Trim allowing for increased functionality and efficiency in any application.

The TK offers three panel sealing level choices: unsealed, dusttight to IP64, or watertight to IP68S.

The TK is a tactile switch which offers the operator a positive click action indicating actuation, and is ideal for grip applications in aircraft, off-road and material handling.

## Features:

- Logic level, normally open
- Shorter behind panel
- 4-way or 4-way with center pushbutton momentary toggle action
- Positive click action indicates actuation
- Panel sealed to IP64, IP68S or unsealed
- Wire leads or Molex connector
- RoHS compliant

### Standard Characteristics/Ratings:

#### ELECTRICAL RATINGS:

Load	Rating
Resistive	50mA max @ 12VDC
<b>Electrical Life:</b>	1,000,000 cycles
<b>Mechanical Life:</b>	1,000,000 cycles
<b>Seal:</b>	IP64, IP68S or unsealed
<b>Operating Temp Range:</b>	-40°C to +85°C
<b>Operating Force:</b>	1.0 lb. +/- 0.5 lb.
<b>Total Travel Angle:</b>	18° +/- 4°
<b>Pushbutton Operating Force:</b>	1.5 lb. +/- 0.5 lb.
<b>Total Pushbutton Travel:</b>	.05 lb. +/- .02 lb.
<b>Max. Allowable Force:</b>	22 lbs. in any direction

#### MATERIALS:

<b>Case:</b>	Thermoplastic, black
<b>Button:</b>	Thermoplastic
<b>Bellows:</b>	Black silicone
<b>Connection:</b>	Connector or wire leads
<b>Mounting Hardware:</b>	Hex nut

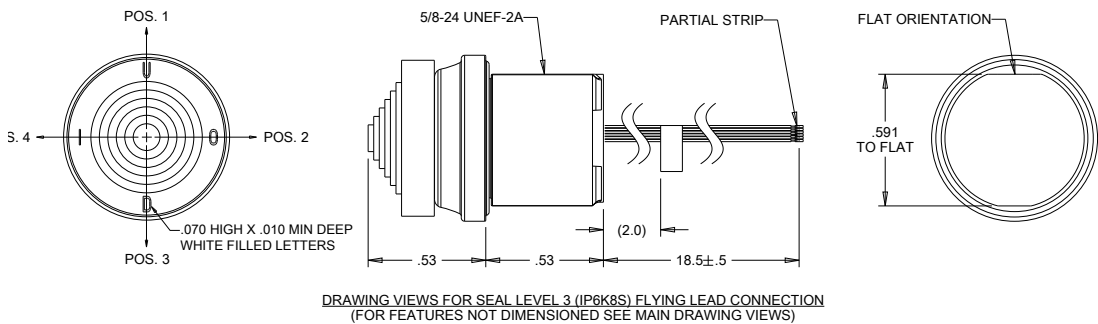
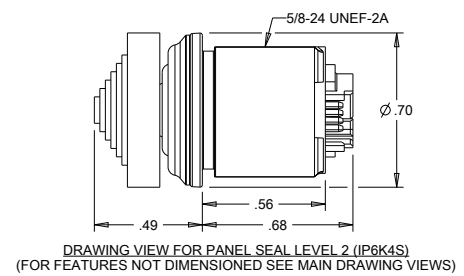
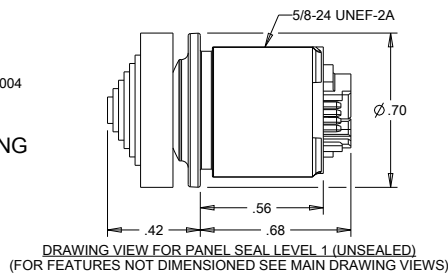
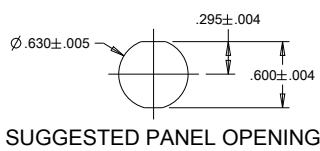
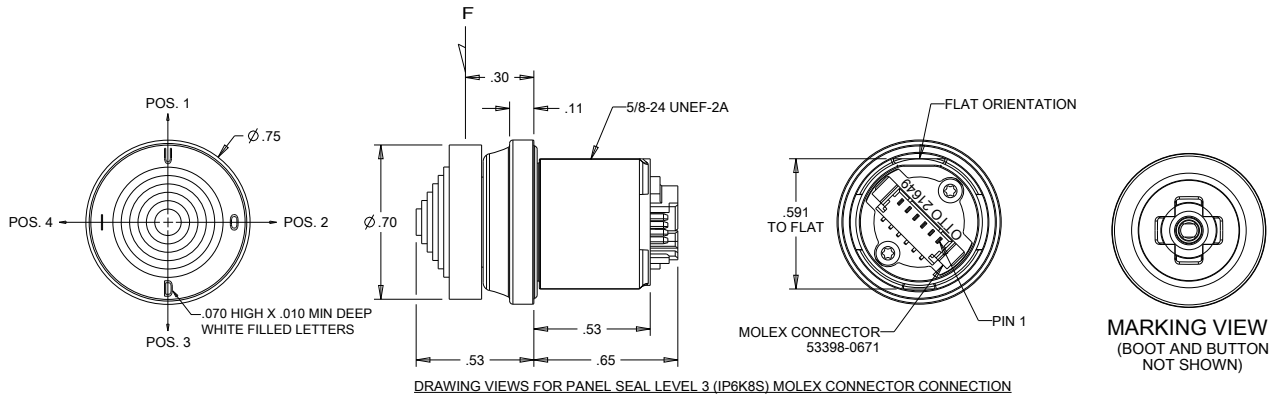
### TK MINI TRIM PART NUMBER CODE

Series	Function	Button Style	Case Style	Panel Seal Level	Connection	Button Color*
TK. Tactile	4. 4-Way (Center OFF) 5. 4-Way with Center Pushbutton	D. Cone E. LRUD Hat F. IOUD Hat G. Hat H. Stadium J. Castle K. 4-Way Jog L. Inverse Hat M. Tall Hat N. Short Hat P. Rotated Stadium	4. Threaded	1. Unsealed 2. IP64 3. IP68S	1. Molex Connector 53398-0671 2. Wire Leads, 26 SAE, UL 1213 (available in 4 weeks)	1. Red 2. Black 8. Gray

\* Contact factory for additional button colors.

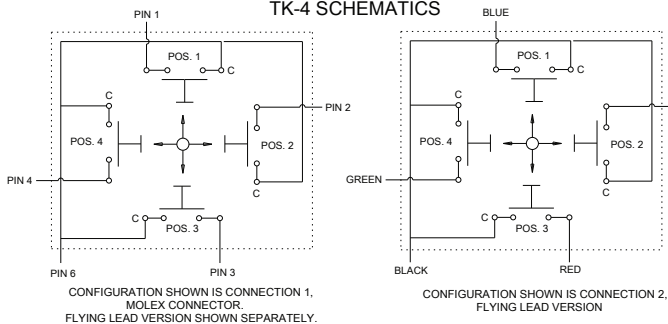
TK Mini Trim Button Styles are shown on the Button Styles page and in the appendix.

## LOGIC LEVEL 4-WAY OR 4-WAY PLUS CENTER PUSHBUTTON TACTILE MINI TRIM

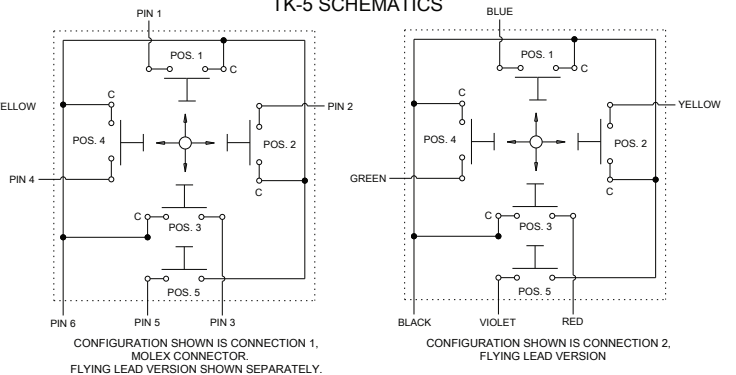


### TK Series Schematics

#### TK-4 SCHEMATICS



#### TK-5 SCHEMATICS



# Mouser Electronics

Authorized Distributor

Click to View Pricing, Inventory, Delivery & Lifecycle Information:

[OTTO:](#)

[TK-4G4312](#) [TK-4J4312](#) [TK-5G4312](#) [TK-5J4312](#)