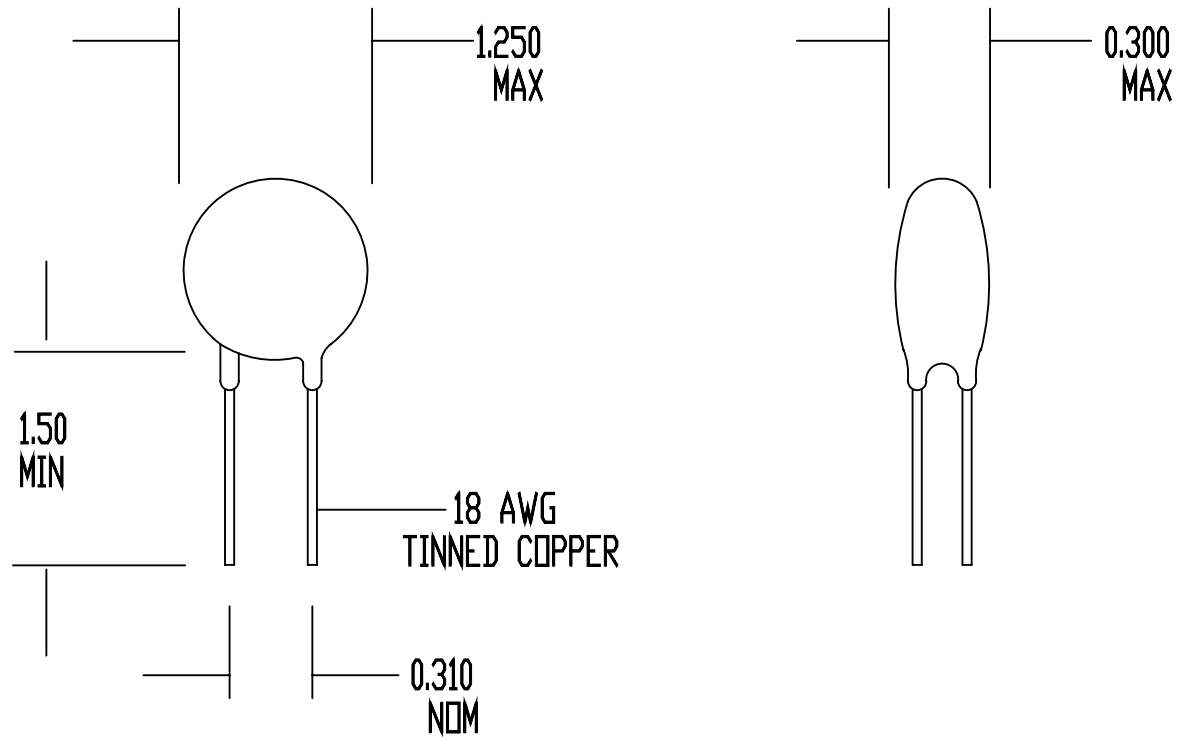


REV	DATE	ECO#

DRAWING NOT TO SCALE
ALL DIMENSIONS IN INCHES



SPECIFICATIONS:
 RESISTANCE AT 25 DEG C = 2 OHMS +/- 25%
 MAXIMUM CONTINUOUS CURRENT (I_{max}) = 23 AMPS
 RESISTANCE AT I_{max} = 0.025 OHMS NOMINAL
 MAXIMUM VOLTAGE RATING = 265 VAC (RMS)
 MAXIMUM SURGE RATING = 250 JOULES
 ENCAPSULATION = SILICONE RESIN
 MARKING = OPTION
 LEADS = RODAN P/N STL209-50

DRAWN BY F. TISED		AMETHERM <i>Circuit Protection Thermistors</i>
DATE 7/14/92		
REV NONE	APP	SURGE-GARD INRUSH CURRENT LIMITER
SHEET 1 OF 1		SG420

Mouser Electronics

Authorized Distributor

Click to View Pricing, Inventory, Delivery & Lifecycle Information:

[Ametherm:](#)

[SG420](#)