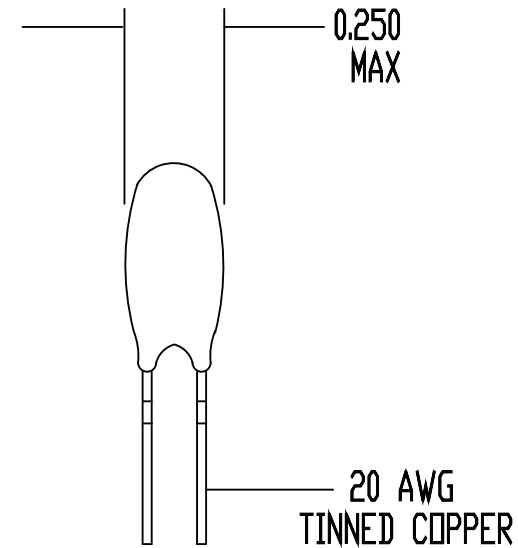
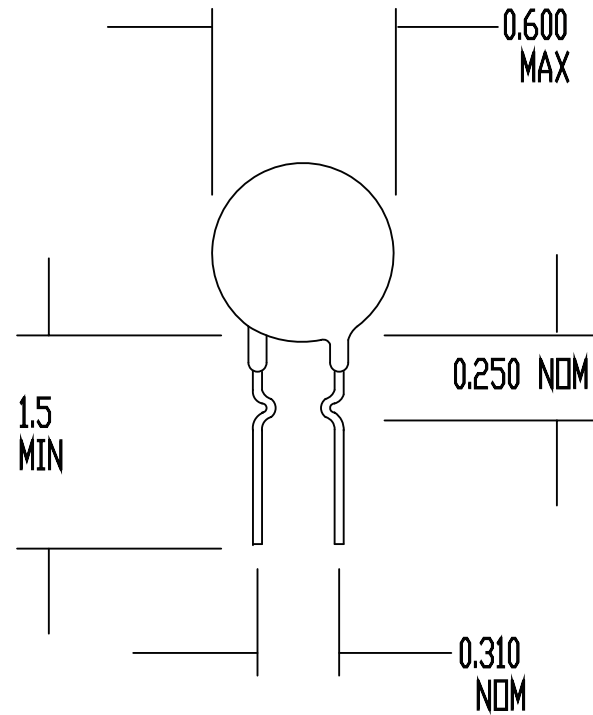



| | | |
|-----|----------|------|
| REV | DATE | ECD# |
| A | 12/14/92 | 1232 |
| | | |

DRAWING NOT TO SCALE
ALL DIMENSIONS IN INCHES



SPECIFICATIONS:

RESISTANCE AT 25 DEG C = 5 OHMS +/- 10%
 MAXIMUM CONTINUOUS CURRENT (I_{max}) = 6 AMPS
 RESISTANCE AT I_{max} = 0.10 OHMS NOMINAL
 MAXIMUM VOLTAGE RATING = 265 VAC (RMS)
 MAXIMUM SURGE RATING = 30 JOULES
 ENCAPSULATION = SILICONE RESIN
 MARKING = OPTIONAL
 LEADS = RODAN P/N STL-209-42

| | | |
|--------------------|----------------|--|
| DRAWN BY D. NGUYEN | |  Circuit Protection Thermistors |
| DATE 11/05/90 | ORIG. F. TISED | |
| REV A | APP | SURGE-GARD INRUSH CURRENT LIMITER |
| SHEET 1 OF 1 | | SG331 |

Mouser Electronics

Authorized Distributor

Click to View Pricing, Inventory, Delivery & Lifecycle Information:

[Ametherm:](#)

[SG331](#)