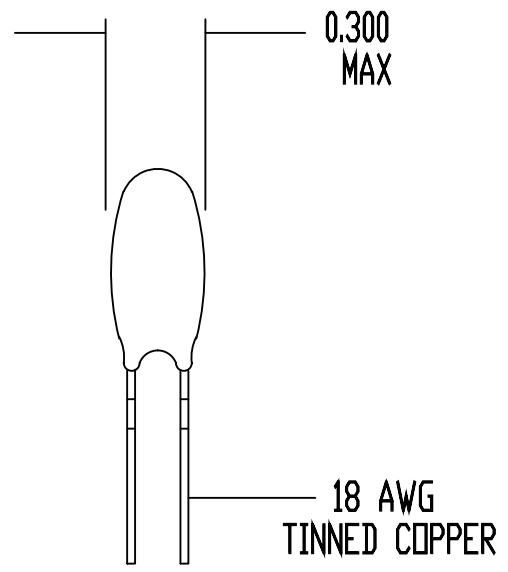
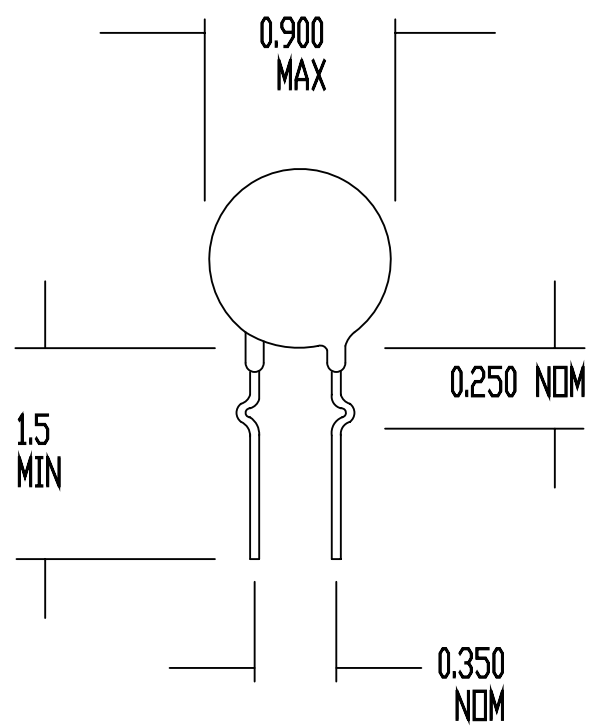


REV	DATE	ECD#
A	09/06/90	1143
B	06/11/93	1265

DRAWING NOT TO SCALE
ALL DIMENSIONS IN INCHES



SPECIFICATIONS:
 RESISTANCE AT 25 DEG C = 2.5 OHMS +/- 15%
 MAXIMUM CONTINUOUS CURRENT (I_{max}) = 15 AMPS
 RESISTANCE AT I_{max} = 0.03 OHMS NOMINAL
 MAXIMUM VOLTAGE RATING = 265 VAC (RMS)
 MAXIMUM SURGE RATING = 87 JOULES
 ENCAPSULATION = SILICONE RESIN
 MARKING = OPTIONAL
 LEADS = RODAN P/N STL-209-45

DRAWN BY D. NGUYEN		AMETHERM <i>Circuit Protection Thermistors</i>
DATE 04/17/87	ORIG. F.TISED	
REV B	APP	SURGE-GARD INRUSH CURRENT LIMITER
SHEET 1 OF 1		SG307

Mouser Electronics

Authorized Distributor

Click to View Pricing, Inventory, Delivery & Lifecycle Information:

[Ametherm:](#)

[SG307](#)