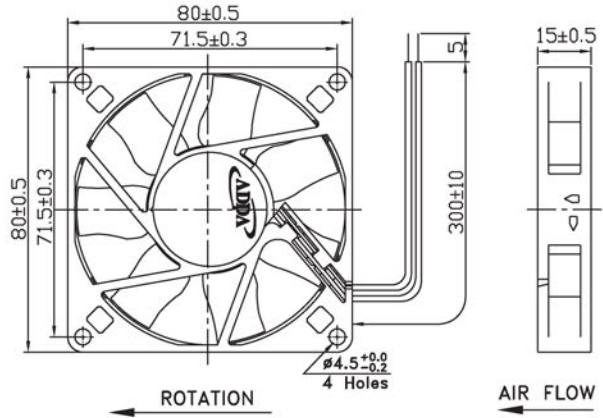


AD8015(T) SERIES

External Dimensions



Frame: Plastic(UL:94V-0)
 Impeller: Plastic(UL:94V-0)
 Bearing: Ball, Sleeve, Hydro bearing
 Lead wire: UL1007AWG24
 VOLTAGE AVAILABLE: 12V, 24V

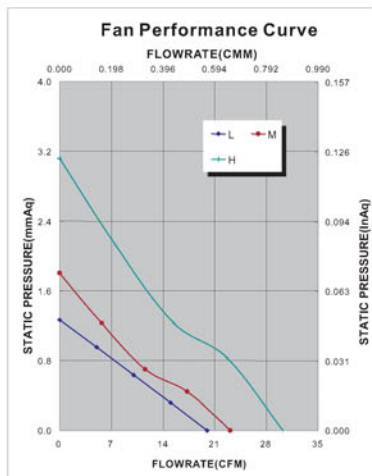
Specifications(Nominal)

*Noise is measured at the distance of one (1) meter from the axis of intake.

Bearing type: Ⓞ=Ball Ⓢ=Sleeve □=1B1S ●=Hydro bearing

| Frame size (mm) | Model No. | Bearing System Type | Rated Voltage (VDC) | Current (A) | Power (W) | Rated Speed (rpm) | Maximum AirFlow (CMM) | Maximum AirFlow (CFM) | Maximum Pressure (InAq) | Maximum Pressure (mmAq) | *Noise Level (dB/A) | Weight (g) |
|-----------------|--------------|---------------------|---------------------|-------------|-----------|-------------------|-----------------------|-----------------------|-------------------------|-------------------------|---------------------|------------|
| 80x80x15 | AD0812LB-D71 | Ⓞ Ⓢ ● | 12 | 0.06 | 0.72 | 2000 | 0.567 | 20.00 | 0.050 | 1.27 | 19.6 | 63.0 |
| | AD0812MB-D71 | Ⓞ Ⓢ ● | 12 | 0.10 | 1.20 | 2440 | 0.631 | 22.40 | 0.070 | 1.78 | 26.0 | |
| | AD0812HB-D71 | Ⓞ Ⓢ ● | 12 | 0.13 | 1.56 | 3200 | 0.847 | 29.90 | 0.129 | 3.28 | 33.4 | |
| | AD0824MB-D71 | Ⓞ Ⓢ ● | 24 | 0.05 | 1.20 | 2440 | 0.634 | 22.40 | 0.070 | 1.78 | 26.0 | |
| | AD0824HB-D71 | Ⓞ Ⓢ ● | 24 | 0.09 | 2.16 | 3200 | 0.847 | 29.90 | 0.129 | 3.28 | 33.4 | |

Specifications subject to change without notice.



*Motor protective circuit and third lead wire functions

| | | | | | | | | | | |
|---|---|---|---|---|---|---|---|---|---|---|
| 0 | 1 | 2 | 3 | 4 | 6 | 7 | 8 | 9 | A | B |
| ✓ | | | | | ✓ | | | | | |

*Safety approvals

| | | | | |
|---|---|--|---|---|
| | | | | |
| ✓ | ✓ | | ✓ | ✓ |

Mouser Electronics

Authorized Distributor

Click to View Pricing, Inventory, Delivery & Lifecycle Information:

[ADDA:](#)

[AD0812MB-D71-LF](#)

Mouser Electronics

Authorized Distributor

Click to View Pricing, Inventory, Delivery & Lifecycle Information:

[ADDA:](#)

[AD0812LB-D71\(N\)](#)