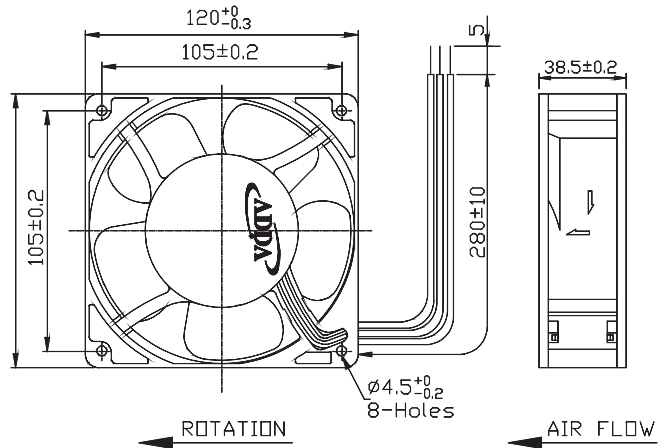




AD12038 SERIES

External Dimensions



Frame: Plastic(UL:94V-0), Aluminum
 Impeller: Plastic(UL:94V-0)
 Lead wire: UL1007AWG24

Ps. Two different frame materials (Plastic and Aluminum) can be used for AD12038, please note which kind of material you're interested and inform your sales if needed.

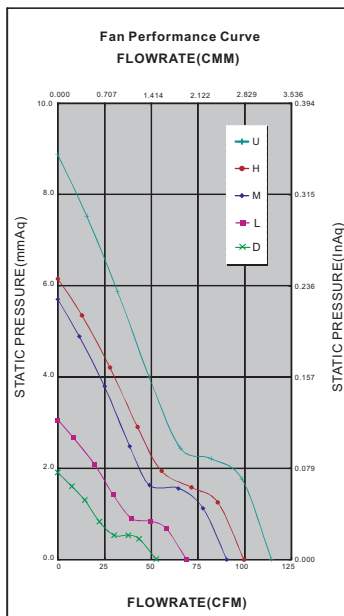
Specifications(Nominal)

*Noise is measured at the distance of one (1) meter from the axis of intake.

Frame size (mm)	Model No.	Bearing System Type	Rated Voltage (VDC)	Current (A)	Power (W)	Rated Speed (rpm)	Maximum AirFlow		Maximum Pressure		*Noise Level (dB/A)	Weight (g)
							(CMM)	(CFM)	(InAq)	(mmAq)		
120x120x38	AD1212DB-F5B(N)	◎※●	12	0.12	1.44	1500	1.492	52.751	0.075	1.905	30.4	235.0 /Plastic 297.0 /Aluminum
	AD1212LB-F5B(N)	◎※●	12	0.22	2.64	1950	1.949	68.900	0.120	3.048	38.2	
	AD1212MB-F5B(N)	◎※●	12	0.34	4.08	2540	2.558	90.398	0.224	5.689	46.1	
	AD1212HB-F5B(N)	◎※●	12	0.39	4.68	2800	2.818	99.600	0.242	6.146	49.8	
	AD1212UB-F5B(N)	◎※●	12	0.62	7.44	3200	3.236	114.361	0.349	8.864	52.6	
	AD1224DB-F5B(N)	◎※●	24	0.07	1.68	1500	1.492	52.751	0.075	1.905	30.4	
	AD1224LB-F5B(N)	◎※●	24	0.10	2.40	1950	1.949	68.900	0.120	3.048	38.2	
	AD1224MB-F5B(N)	◎※●	24	0.20	4.80	2540	2.559	90.398	0.224	5.689	46.1	
	AD1224HB-F5B(N)	◎※●	24	0.26	6.24	2800	2.818	99.600	0.242	6.146	49.8	
	AD1224UB-F5B(N)	◎※●	24	0.38	9.12	3200	3.236	114.361	0.349	8.864	52.6	
	AD1248LB-F5B(N)	◎※●	48	0.09	4.32	1950	1.949	68.900	0.120	3.048	38.2	
	AD1248MB-F5B(N)	◎※●	48	0.13	6.24	2540	2.558	90.398	0.224	5.689	46.1	
	AD1248HB-F5B(N)	◎※●	48	0.18	8.64	2800	2.818	99.600	0.242	6.146	49.8	
	AD1248UB-F5B(N)	◎※●	48	0.22	10.56	3200	3.236	114.361	0.349	8.864	52.6	

Specifications subject to change without notice.

The specification for bearing type is for reference only, for more bearing types information, please contact with your ADDA sales representative, thanks!! (網頁上呈現產品軸承資訊均以2Ball為主, 若需其他產品資訊請聯絡您在ADDA的業務代表, 謝謝! !)



*Motor protective circuit and third lead wire functions

0	1	2	3	4	6	7	8	9	A	B
✓	✓	✓	✓	✓	✓			✓		✓

*Safety approvals

✓	✓		✓	✓

Mouser Electronics

Authorized Distributor

Click to View Pricing, Inventory, Delivery & Lifecycle Information:

[ADDA:](#)

[AD1212HB-F53-LF](#) [AD1224LB-F52\(9TN\)-LF](#) [AD1248HB-F52-LF](#) [AD1224HX-F51-LF](#) [AD1224UB-F53-LF](#)
[AD1212UB-F53-LF](#) [AD1224UB-F52-LF](#) [AD1212HX-F52-LF](#)