

K-no.: 24512
15 A Current Sensor for 5V- Supply Voltage
Date: 11.08.2014

 For electronic current measurement:
 DC, AC, pulsed, mixed ..., with a galvanic
 isolation between primary circuit
 (high power) and secondary circuit
 (electronic circuit)

Customer: Standard type
Customers Part no.:
Page 1 of 2
Description

- Closed loop (compensation)
- Current Sensor with magnetic field probe
- Printed circuit board mounting
- Casing and materials UL-listed

Characteristics

- Excellent accuracy
- Very low offset current
- Very low temperature dependency and offset current drift
- Very low hysteresis of offset current
- Short response time
- Wide frequency bandwidth
- Compact design
- Reduced offset ripple

Applications

Mainly used for stationary operation in industrial applications:

- AC variable speed drives and servo motor drives
- Static converters for DC motor drives
- Battery supplied applications
- Switched Mode Power Supplies (SMPS)
- Power Supplies for welding applications
- Uninterruptible Power Supplies (UPS)

Electrical data – Ratings

I_{PN}	Primary nominal r.m.s. current	15	A
V_{out}	Output voltage @ I_P	$V_{Ref} \pm (0.625 \cdot I_P / I_{PN})$	V
\bar{V}_{out}	Output voltage @ $I_P=0, T_A=25^\circ C$	$V_{Ref} \pm 0.00221$	V
V_{Ref}	External Reference voltage range	0...4	V
	Internal Reference voltage	2.5 \pm 0.005	V
K_N	Turns ratio	1...3 : 2000	

Accuracy – Dynamic performance data

		min.	typ.	max.	Unit
$I_{P,max}$	Max. measuring range	± 51			
X	Accuracy @ $I_{PN}, T_A=25^\circ C$			0.7	%
ϵ_L	Linearity			0.1	%
$V_{out} - V_{Ref}$	Offset voltage @ $I_P=0, T_A=25^\circ C$			± 2.21	mV
$\Delta V_o / V_{Ref} / \Delta T$	Temperature drift of V_{out} @ $I_P=0, V_{Ref}=2,5V, T_A=-40...85^\circ C$	2.3		20	ppm/ $^\circ C$
t_r	Response time @ 90% von I_{PN}		300		ns
$\Delta t (I_{P,max})$	Delay time at $di/dt = 100 A/\mu s$		200		ns
f	Frequency bandwidth	DC...200			kHz

General data

		min.	typ.	max.	Unit
T_A	Ambient operating temperature	-40		+85	$^\circ C$
T_S	Ambient storage temperature	-40		+85	$^\circ C$
m	Mass		12		g
V_C	Supply voltage	4.75	5	5.25	V
I_C	Current consumption		15		mA

 Constructed and manufactured and tested in accordance with EN 61800-5-1 (Pin 1 - 6 to Pin 7 - 10)
 Reinforced insulation, Insulation material group 1, Pollution degree 2

S_{clear}	Clearance (component without solder pad)	7,4			mm
S_{creep}	Creepage (component without solder pad)	8,0			mm
V_{sys}	System voltage	RMS		300	V
V_{work}	Working voltage (tabel 7 acc. to EN61800-5-1)				
	overvoltage category 3	RMS		650	V
	overvoltage category 2	RMS		650	V
U_{PD}	Rated discharge voltage	peak value		1320	V
	Max. potential difference acc. to UL 508	RMS		600	V_{AC}

Date	Name	Issue	Amendment
11.08.14	KRe	83	Marking changed from 4646X662-83 → 4646-X662-83. Electrical data changed. CN-14-075

 Hrsg.: KB-E
 editor

 Bearb: DJ
 designer

 KB-PM: Sn.
 check

 freig.: HS
 released

K-no.: 24512

15 A Current Sensor for 5V- Supply Voltage

For electronic current measurement:
DC, AC, pulsed, mixed ..., with a galvanic
isolation between primary circuit
(high power) and secondary circuit
(electronic circuit)

Date: 11.08.2014

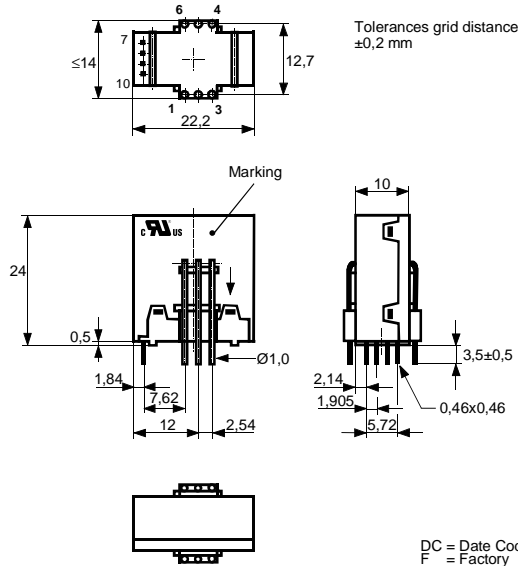
Customer: Standard type

Customers Part no.:

Page 2 of 2

Mechanical outline (mm):

General tolerances DIN ISO 2768-c



Connections:

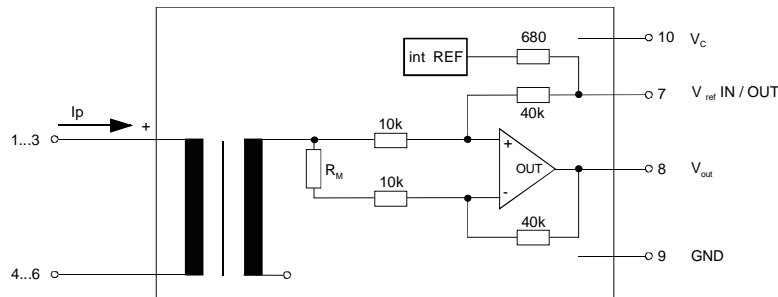
1...6: Ø 1 mm
7..10: 0,46*0,46 mm

Marking:

VAC UL-sign
4646-X662-83
F DC

DC = Date Code
F = Factory

Schematic diagram



Possibilities of wiring (@ T_A = 85°C)

primary windings N _P	primary current RMS I _P [A]	primary current maximal Î _{P,max} [A]	output current RMS I _S (I _P) [mA]	turns ratio K _N	primary resistance R _P [mΩ]	wiring
1	15	±51	2.5±0.625	1:2000	0.33	
2	7.5	±25	2.5±0.625	2:2000	1.5	
3	5	±17	2.5±0.625	3:2000	3	

Temperature of the primary conductor should not exceed 110°C.

Additional information is obtainable on request.

This specification is no declaration of warranty acc. BGB §443

Hrsg.: KB-E
editor

Bearb.: DJ
designer

KB-PM: Sn.
check

freig.: HS
released

K-No.: 24512

15 A Current Sensor for 5V-Supply Voltage

 For the electronic measurement of currents:
 DC, AC, pulsed, mixed ..., with a galvanic
 isolation between the primary circuit
 (high power) and the secondary circuit

Date: 11.08.2014

Customer:
Customers Part No.:
Page 1 **of** 2

Electrical Data

		min.	typ.	max.	Unit
V_{Ctot}	Maximum supply voltage (without function)			7	V
I_C	Supply Current with primary current		15mA + $I_p \cdot K_N + V_{out}/R_L$		mA
$I_{out,SC}$	Short circuit output current		± 20		mA
R_P	Resistance / primary winding @ $T_A=25^\circ C$		1		m Ω
R_S	Secondary coil resistance @ $T_A=85^\circ C$			67	Ω
$R_{i,Ref}$	Internal resistance of Reference input		670		Ω
$R_{is}(V_{out})$	Output resistance of V_{out}			1	Ω
R_L	External recommended resistance of V_{out}	1			k Ω
C_L	External recommended capacitance of V_{out}			500	pF
$\Delta X_{Ti} / \Delta T$	Temperature drift of X @ $T_A = -40 \dots +85^\circ C$			40	ppm/K
$\Delta V_0 = \Delta(V_{out} - V_{Ref})$	Sum of any offset drift including:		3.5	10	mV
V_{0t}	Longtermdrift of V_0		2		mV
V_{0T}	Temperature drift von V_0 @ $T_A = -40 \dots +85^\circ C$		2		mV
V_{0H}	Hysteresis of V_{out} @ $I_p=0$ (after an overload of $10 \times I_{PN}$)			3	mV
$\Delta V_0 / \Delta V_C$	Supply voltage rejection ratio			1	mV/V
V_{oss}	Offsetripple (with 1 MHz- filter first order)			30	mV
V_{oss}	Offsetripple (with 100 kHz- filter first order)		4	8	mV
V_{oss}	Offsetripple (with 20 kHz- filter first order)		1.2	2	mV
C_k	Maximum possible coupling capacity (primary – secondary)		5	10	pF
	Mechanical stress according to M3209/3			30g	
	Settings: 10 – 2000 Hz, 1 min/Octave, 2 hours				

Inspection (Measurement after temperature balance of the samples at room temperature) SC = significant characteristic

$V_{out}(SC)$	(V)	M3011/6:	Output voltage vs. external reference ($I_p=15A, 40-80Hz$)	$625 \pm 0.7\%$	mV
$V_{out} - V_{Ref}$	(V)	M3226:	Offset voltage	± 2.21	mV
V_d	(V)	M3014:	Test voltage, rms, 1 s pin 1 – 6 vs. pin 7 – 10	1.5	kV
V_e	(AQL 1/S4)		Partial discharge voltage acc.M3024 (RMS) with V_{vor} (RMS)	1400 1750	V V

Type Testing (Pin 1 - 6 to Pin 7 - 10)

Designed according standard EN 50178 with insulation material group 1

V_{WV}	HV transient test according to M3064 (1,2 μs / 50 μs -wave form)		8		kV
V_d	Testing voltage to M3014		(5 s)	3	kV
V_e	Partial discharge voltage acc.M3024 (RMS) with V_{vor} (RMS)			1400 1750	V V

Applicable documents

 Current direction: A positive output current appears at point I_s , by primary current in direction of the arrow.

Enclosures according to IEC529: IP50.

Further standards UL 508, file E317483, category NMTR2 / NMTR8

Datum	Name	Index	Amendment
11.08.14	Kre	83	Inspection M3011/6 defined as SC-value. Offset voltage changed. CN-14-075
14.06.13	Le	83	Applicable documents further standards added. V_{ctot} changed from max 6 V in max 7 V. CN-572

Hrsg.: KB-E editor	Bearb.: DJ designer	KB-PM: check	freig.: HS released
-----------------------	------------------------	-----------------	------------------------

K-No.: 24512

15 A Current Sensor for 5V-Supply Voltage

 For the electronic measurement of currents:
 DC, AC, pulsed, mixed ..., with a galvanic
 isolation between the primary circuit
 (high power) and the secondary circuit

Date: 11.08.2014

Customer:
Customers Part No.:
Page 2 **of** 2

Explanation of several of the terms used in the tablets (in alphabetical order)

t: Response time (describe the dynamic performance for the specified measurement range), measured as delay time at $I_P = 0,9 \cdot I_{PN}$ between a rectangular current and the output voltage $V_{out}(I_P)$

$\Delta t (I_{Pmax})$: Delay time (describe the dynamic performance for the rapid current pulse rate e.g short circuit current) measured between I_{Pmax} and the output voltage $V_{out}(I_{Pmax})$ with a primary current rise of $di_P/dt \geq 100 \text{ A}/\mu\text{s}$.

V_0 : Offset voltage between V_{out} and the rated reference voltage of $V_{ref} = 2,5V$.
 $V_0 = V_{out}(0) - 2,5V$

U_{PD} Rated discharge voltage (recurring peak voltage separated by the insulation) proved with a sinusoidal voltage V_e
 $U_{PD} = \sqrt{2} \cdot V_e / 1,5$

V_{vor} Defined voltage is the RMS value of a sinusoidal voltage with peak value of $1,875 \cdot U_{PD}$ required for partial discharge test in IEC 61800-5-1
 $V_{vor} = 1,875 \cdot U_{PD} / \sqrt{2}$

V_{sys} System voltage RMS value of rated voltage according to IEC 61800-5-1

V_{work} Working voltage voltage according to IEC 61800-5-1 which occurs by design in a circuit or across insulation

V_{0H} : Zero variation of V_0 after overloading with a DC of tenfold the rated value

V_{0t} : Long term drift of V_0 after 100 temperature cycles in the range -40 bis 85 °C.

X: Permissible measurement error in the final inspection at RT, defined by

$$X = 100 \cdot \left| \frac{V_{out}(I_{PN}) - V_{out}(0)}{0,625V} - 1 \right| \%$$

$X_{ges}(I_{PN})$: Permissible measurement error including any drifts over the temperature range by the current measurement I_{PN}

$$X_{ges} = 100 \cdot \left| \frac{V_{out}(I_{PN}) - 2,5V}{0,625V} - 1 \right| \% \quad \text{or} \quad X_{ges} = 100 \cdot \left| \frac{V_{out}(I_{PN}) - V_{ref}}{0,625V} - 1 \right| \%$$

ϵ_L : Linearity fault defined by
$$\epsilon_L = 100 \cdot \left| \frac{I_P}{I_{PN}} - \frac{V_{out}(I_P) - V_{out}(0)}{V_{out}(I_{PN}) - V_{out}(0)} \right| \%$$

This "Additional information" is no declaration of warranty according BGB §443.

Hrsg.: KB-E
 editor

Bearb.: DJ
 designer

KB-PM:
 check

freig.: HS
 released

Mouser Electronics

Authorized Distributor

Click to View Pricing, Inventory, Delivery & Lifecycle Information:

[Vacuumschmelze:](#)

[T60404-N4646-X662](#)