

KCMA-42-400-5A-5VA-1**Weidmüller Interfaces GmbH & Co. KG**

Postfach 3030

32760 Detmold

Tel. +49 5231 14-0

Fax. +49 5231 14-2083

info@weidmueller.com

www.weidmueller.com

Product image, Similar to illustration**Cable-type current transformer**

The cable-type current transformer is mainly used for retrofitting in order to avoid cutting the primary conductors.

Due to its dimensions and the convenient handling, the cable-type current transformer is particularly suitable for use in places that are difficult to access or where space is limited.

The "click" system in conjunction with the fixing clamps even makes "one-handed" installation possible.

General ordering data

Version	Primary current: 400 A, Secondary current max.: 5 A, Load: 5 VA, Tolerance class: 1, Split-core current transformer
Order No.	2753240000
Type	KCMA-42-400-5A-5VA-1
GTIN (EAN)	4050118896718
Qty.	1 pc(s).

KCMA-42-400-5A-5VA-1

Weidmüller Interfaces GmbH & Co. KG

Postfach 3030

32760 Detmold

Tel. +49 5231 14-0

Fax. +49 5231 14-2083

info@weidmueller.com

www.weidmueller.com

Technical data

Dimensions and weights

Depth	69 mm	Depth (inches)	2.717 inch
Height	96 mm	Height (inches)	3.78 inch
Width	67 mm	Width (inches)	2.638 inch
Net weight	381 g		

Temperatures

Operating temperature	-5 °C...50 °C
-----------------------	---------------

Dimensions of live conductors

Type of conductor	Insulated conductor only	Round conductor	42 mm
Installation location	Indoor use		

Electrical attributes

Load	5 VA	Primary current	400 A
Secondary current max.	5 A	Tolerance class	1

Technical data

Protection degree	IP20	Version	Split-core current transformer
Standards	EN 60044 -1, VDE 0414 Teil 1		

Insulation coordination

Tolerance class	1
-----------------	---

Classifications

ETIM 6.0	EC002048	ETIM 7.0	EC002048
ETIM 8.0	EC002048	ECLASS 9.0	27-21-09-02
ECLASS 9.1	27-21-09-02	ECLASS 10.0	27-21-09-02
ECLASS 11.0	27-21-09-02	ECLASS 12.0	27-21-09-02

Approvals

ROHS	Conform
------	---------

Downloads

Approval/Certificate/Document of Conformity	KBR-KBU-Konformitätserklärung
User Documentation	Instruction sheet German
Catalogues	Catalogues in PDF-format

KCMA-42-400-5A-5VA-1

Weidmüller Interfaces GmbH & Co. KG

Postfach 3030

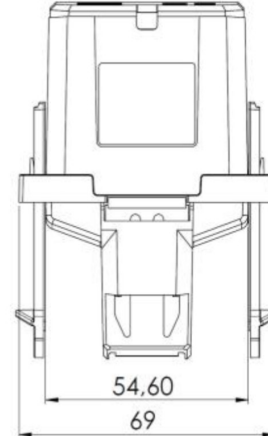
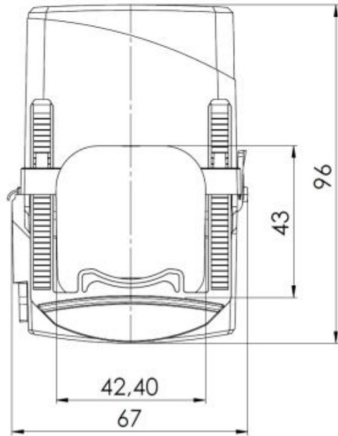
32760 Detmold

Tel. +49 5231 14-0

Fax. +49 5231 14-2083

info@weidmueller.com

Drawings



Mouser Electronics

Authorized Distributor

Click to View Pricing, Inventory, Delivery & Lifecycle Information:

[Weidmuller:](#)

[2753240000](#)