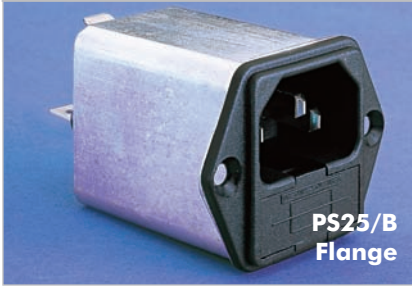


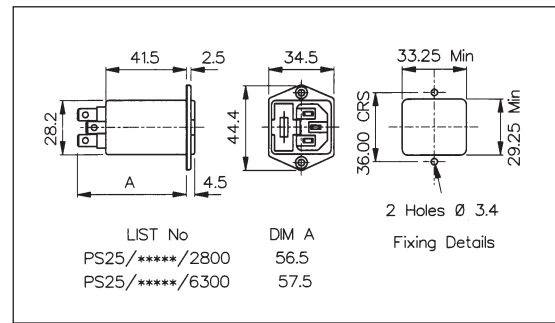
Medical IEC Power Inlets (Twin Fused)

PANEL MOUNTING



**PS25/B
Flange**

- 2 or 4 Amp Current Rating
- Medical
- Twin Fused
- Optional Additional Components
- 2.8 or 6.3mm tabs

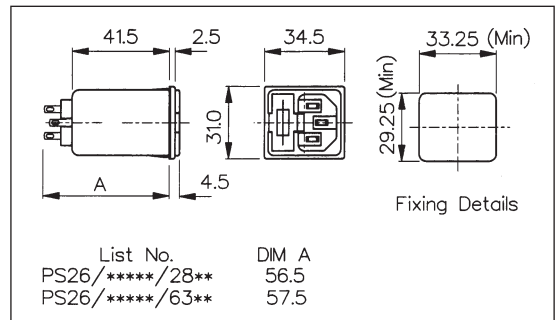


SNAP FIT

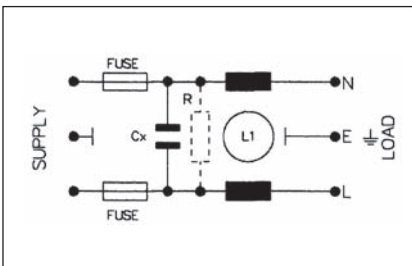


**PS26/B
Snap-Fit**

- 2 or 4 Amp Current Rating
- Medical
- Twin Fused
- Optional Additional Components
- 2.8 or 6.3mm tabs
- 1, 1.5, 2 or 3mm panels



PS25 or PS26/Bxx 2x / xx xx



| Series | Rating | L/C Circuit | Additional Components | Tag Type and Configuration | Panel Thickness |
|--------|---------|---------------|------------------------|----------------------------|------------------------------------------------------|
| PS25/B | 02 = 2A | 2 = Version 2 | 0 = None | 28 = 2.8mm | Blank = Flange |
| PS26/B | 04 = 4A | | 1 = Bleed (R) Resistor | 63 = 6.3mm tabs | 10 = 1.0mm 15 = 1.5mm 20 = 2.0mm 30 = 3.0mm |

Specification

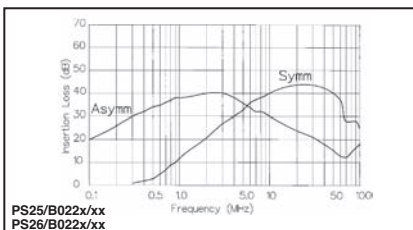
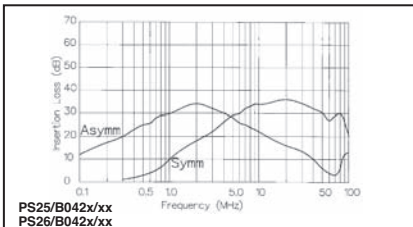
| Specification | PS25/Bxx2x/xx00 | PS26/Bxx2x/xxxx | Part No. Example |
|-----------------------------------|-------------------------------------------------------------------------|-------------------------------------------------------------------------|------------------------------------------------------------------------------------------------------------------------------------------------------------------------------------------------------------------------------------------------------------------------------------------------------------------|
| Max. Working Voltage: | 250V a.c. 50-400Hz | 250V a.c. 50-400Hz | <div style="border: 1px solid black; padding: 5px;"> PS25/B0220/63 = PS25 series, flange fitting, for medical applications, rated at 2 amperes. L/C circuit version 2, i.e L1 = 2 x 1.8mH, Cx = 1 x 15nF, without bleed resistor fitted, with 6.3mm tabs. </div> |
| Max. Power Dissipation: | 2.5W per fuse | 2.5W per fuse | |
| Earth Leakage Current: | <100µA (typically 5µA 250V, 50Hz) | <100µA (typically 5µA 250V, 50Hz) | |
| Temperature Range: | -25°C to +85°C | -25°C to +85°C | |
| Max. Ambient Temp.: (@ Full Load) | 40°C (derate linearly to 0A @ 85°C) | 40°C (derate linearly to 0A @ 85°C) | |
| Test Voltage: | 2700V d.c. 2 secs. Lines to Earth 1100V d.c. 2 secs. Live to Neutral | 2700V d.c. 2 secs. Lines to Earth 1100V d.c. 2 secs. Live to Neutral | |
| Approvals: | | | |
| Mating Connectors: | PX0587, PX0587/SE, PX0588 | PX0587, PX0587/SE, PX0588 | |
| Accessories: | P.No. 14340 (see page 96) | P.No. 14340 (see page 96) | |
| RoHS | Compliant | Compliant | |

Rating & Version Table

PS25/Bxx2x/xx00 & PS26/Bxx2x/xxxx

| Rating | Version | L1 | Cx |
|--------|---------|-----------|----------|
| 2 AMP | 1 | 2 x 1.8mH | 1 x 15nF |
| " | 2 | | |
| " | 3 | | |
| 4 AMP | 1 | 2 x 0.7mH | 1 x 15nF |
| " | 2 | | |
| " | 3 | | |

Version 2



Mouser Electronics

Authorized Distributor

Click to View Pricing, Inventory, Delivery & Lifecycle Information:

[Bulgin:](#)

[PS25/B0220/63](#)