



PART NAME

DIN RAIL BOX

PART No.

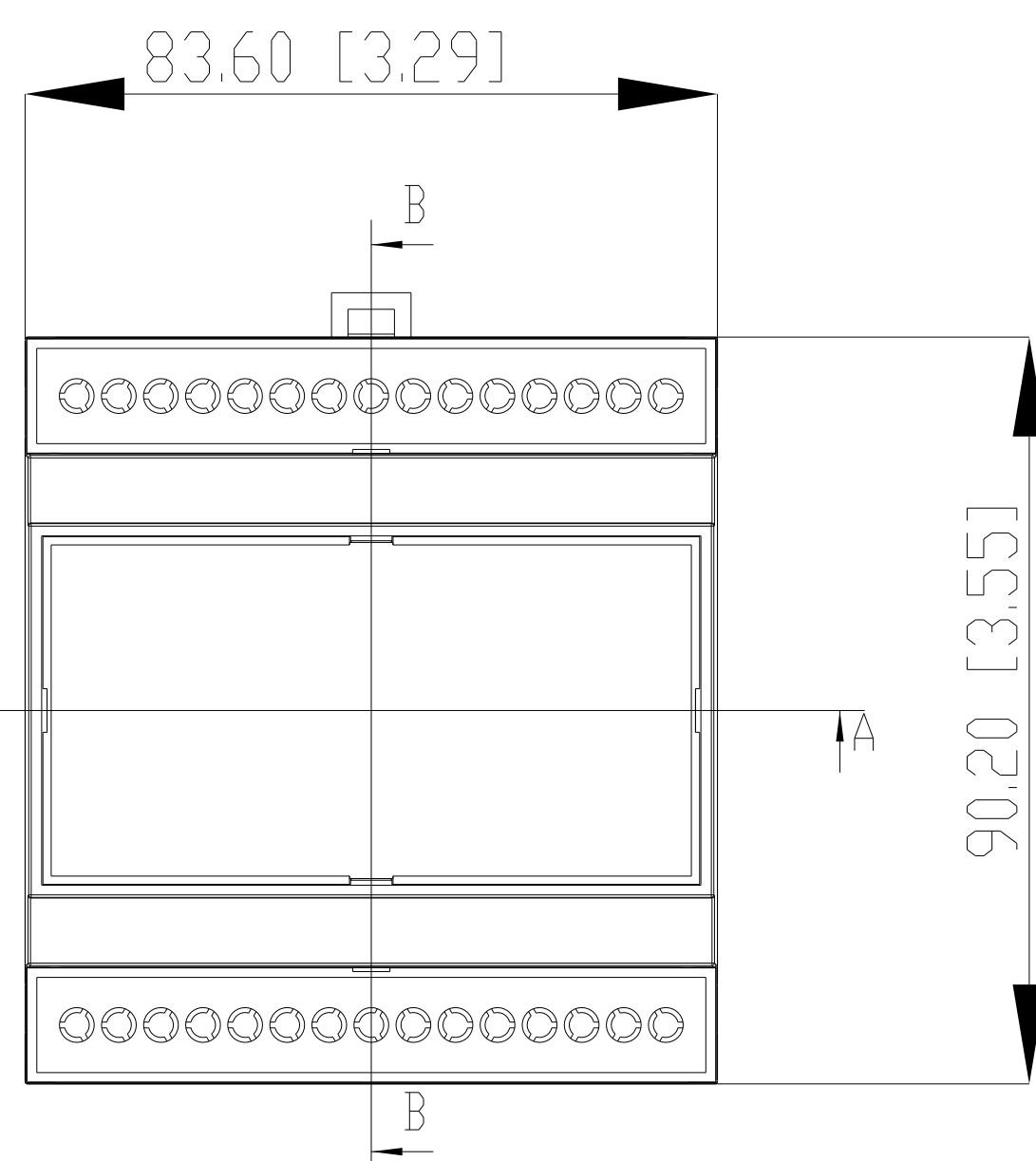
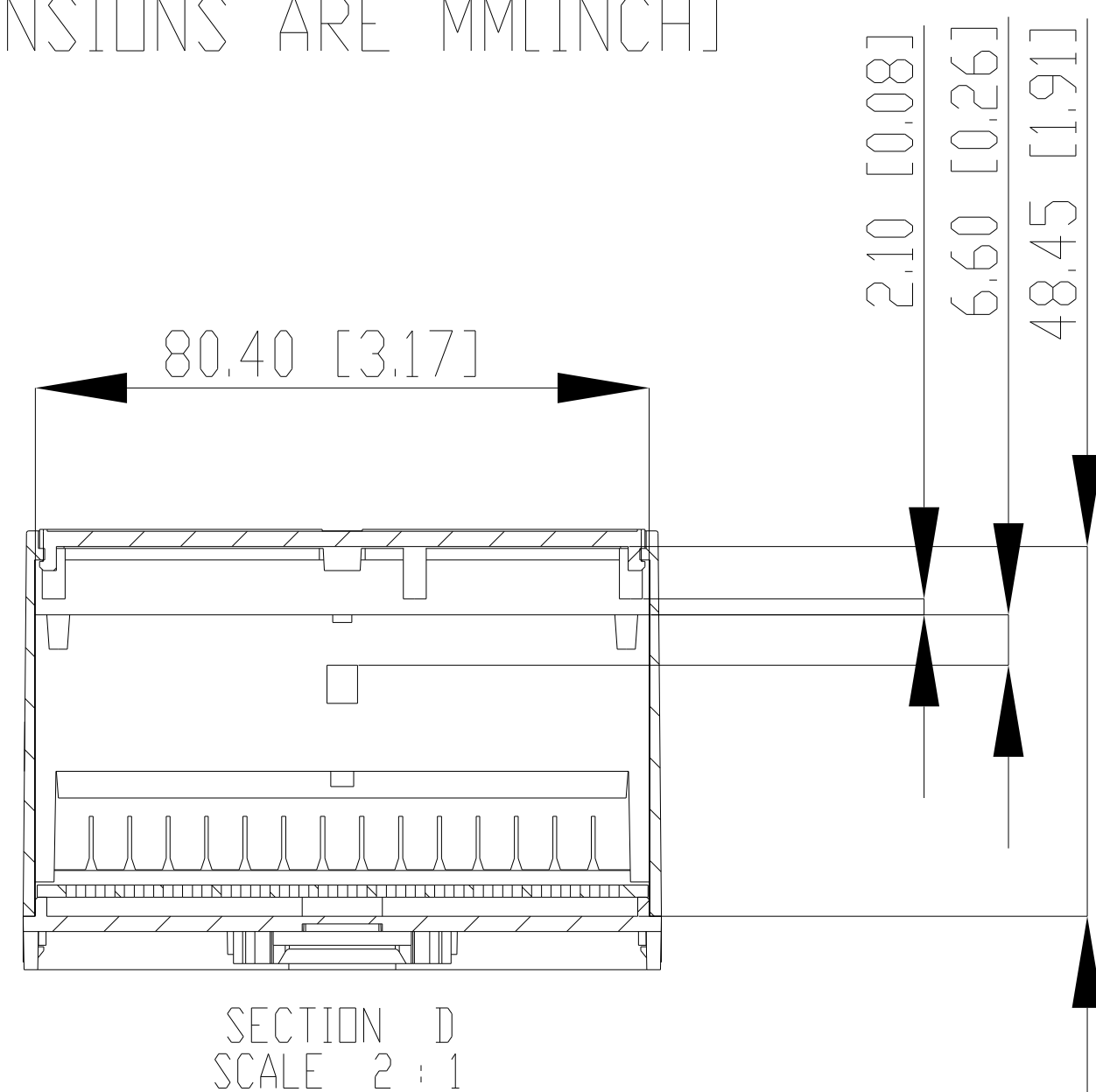
DMB-4775

REV. DATE

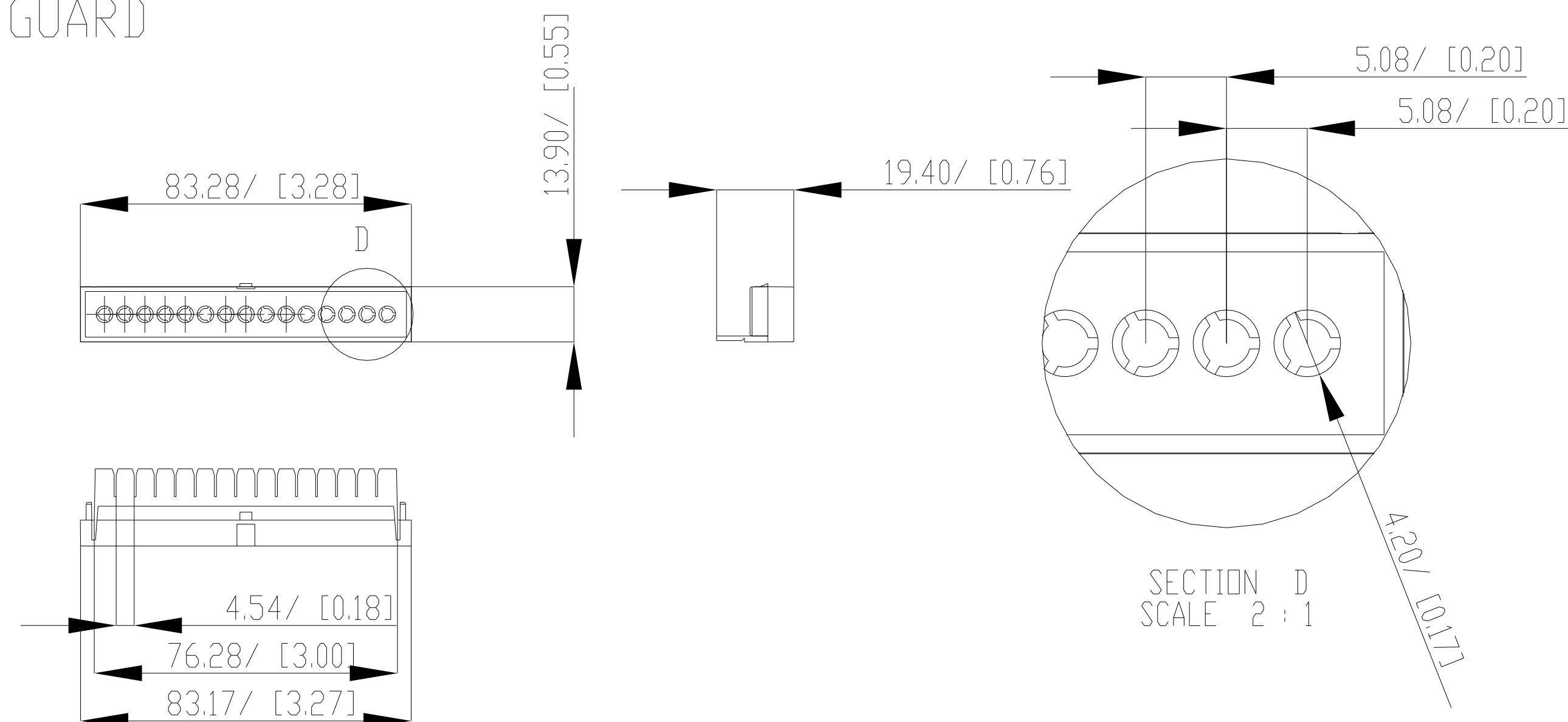
3-22-18

DRAWING FOR REFERENCE
WE RESERVE THE RIGHT TO MAKE CHANGES TO OUR
STANDARD PRODUCTS. PLEASE CONSULT WITH BUD INDUSTRIES
PRIOR TO USING THIS DRAWING FOR DESIGN PURPOSES

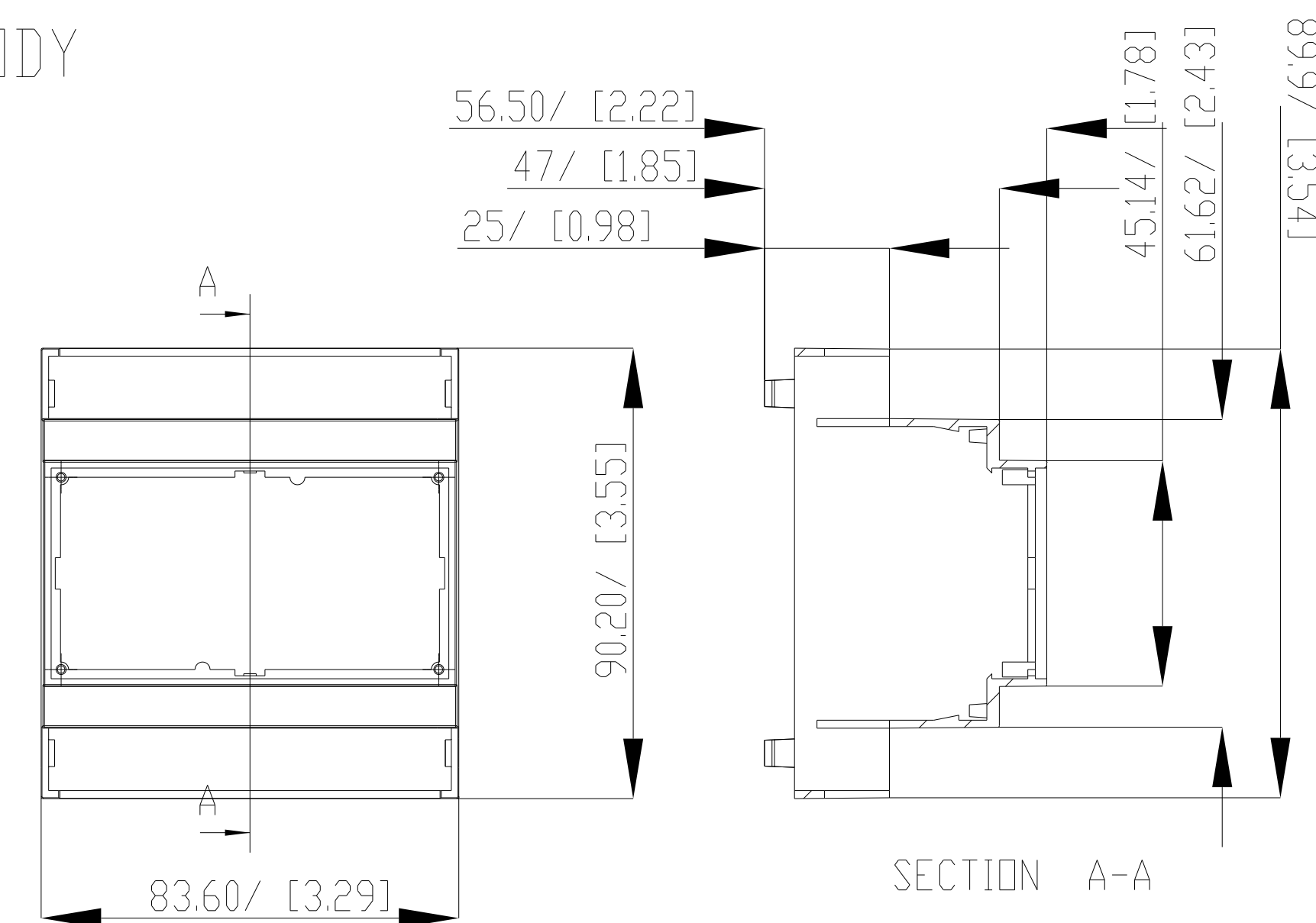
MATERIAL: BODY, BASE, COVER,
AND GUARDS - PC/ABS
MOUNTING CLIP - NYLON66
DIMENSIONS ARE MM[INCH]



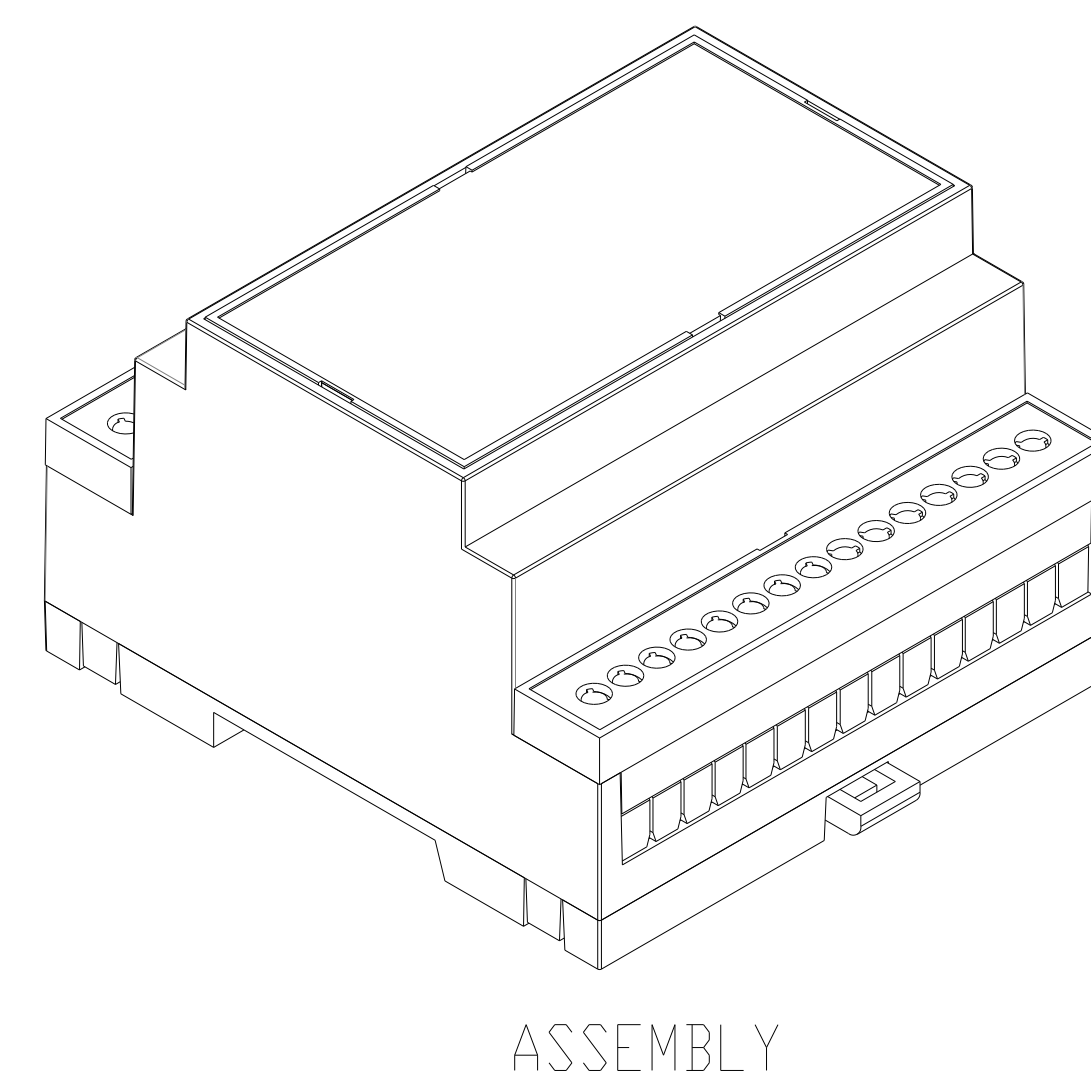
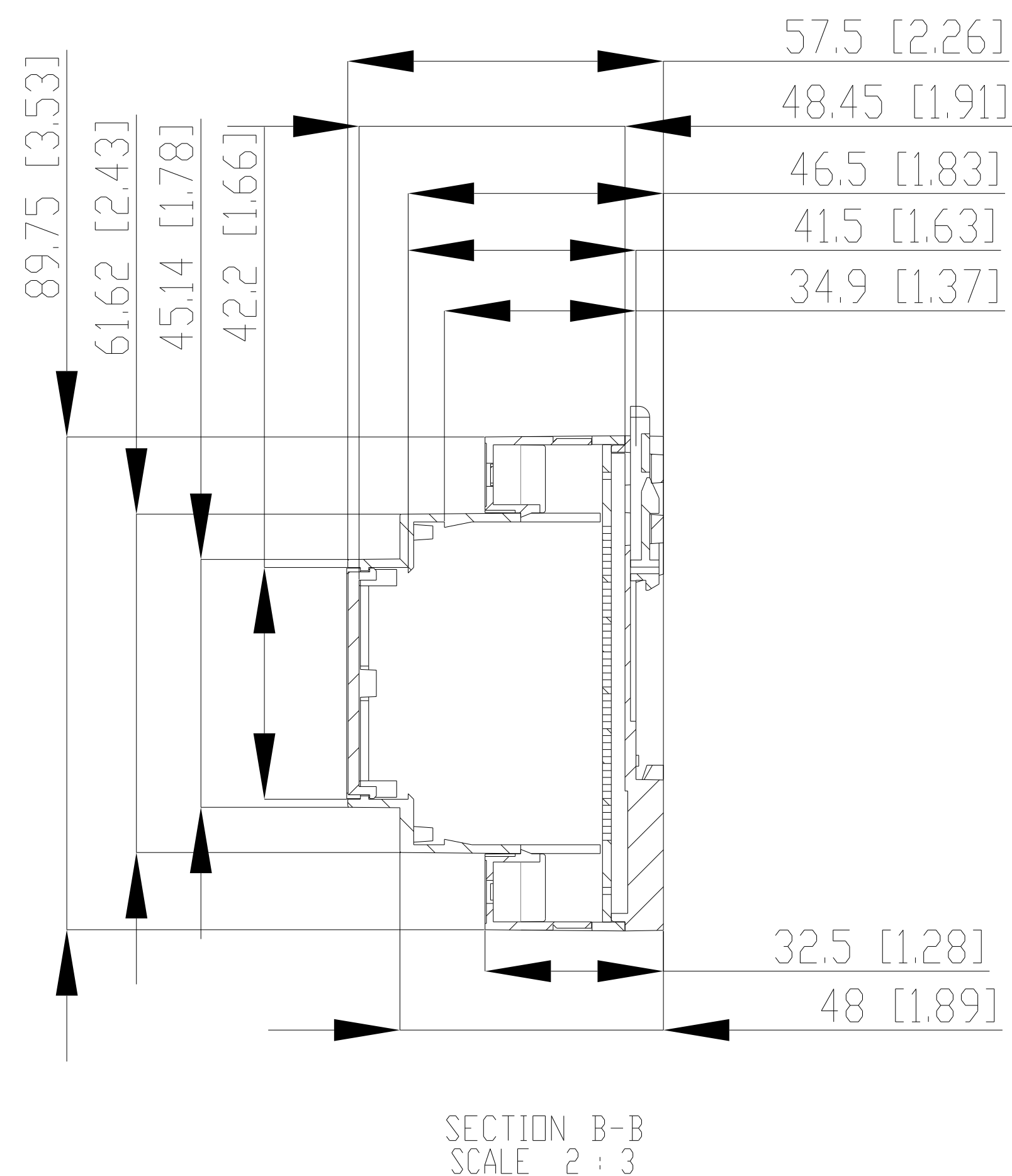
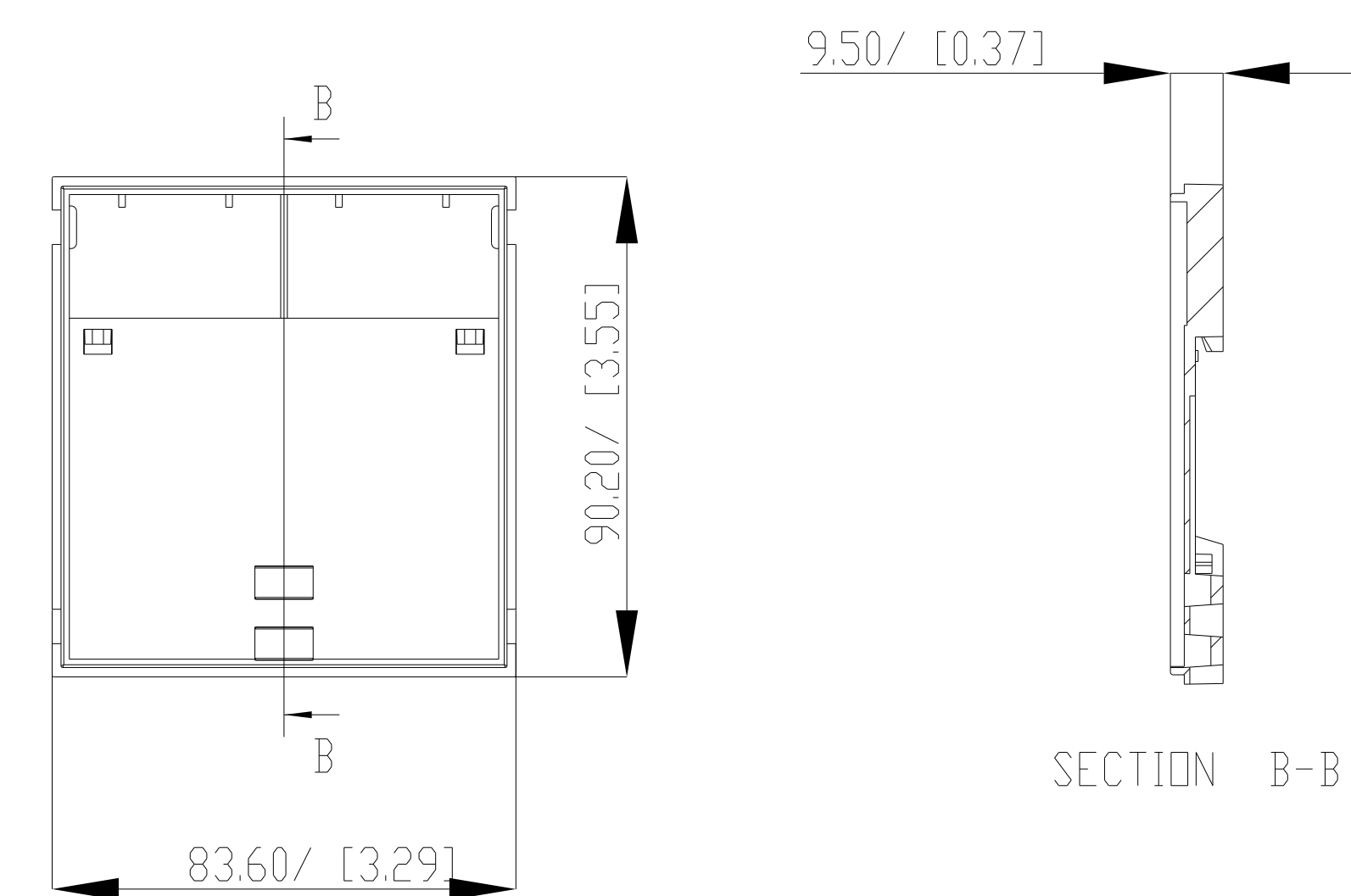
GUARD



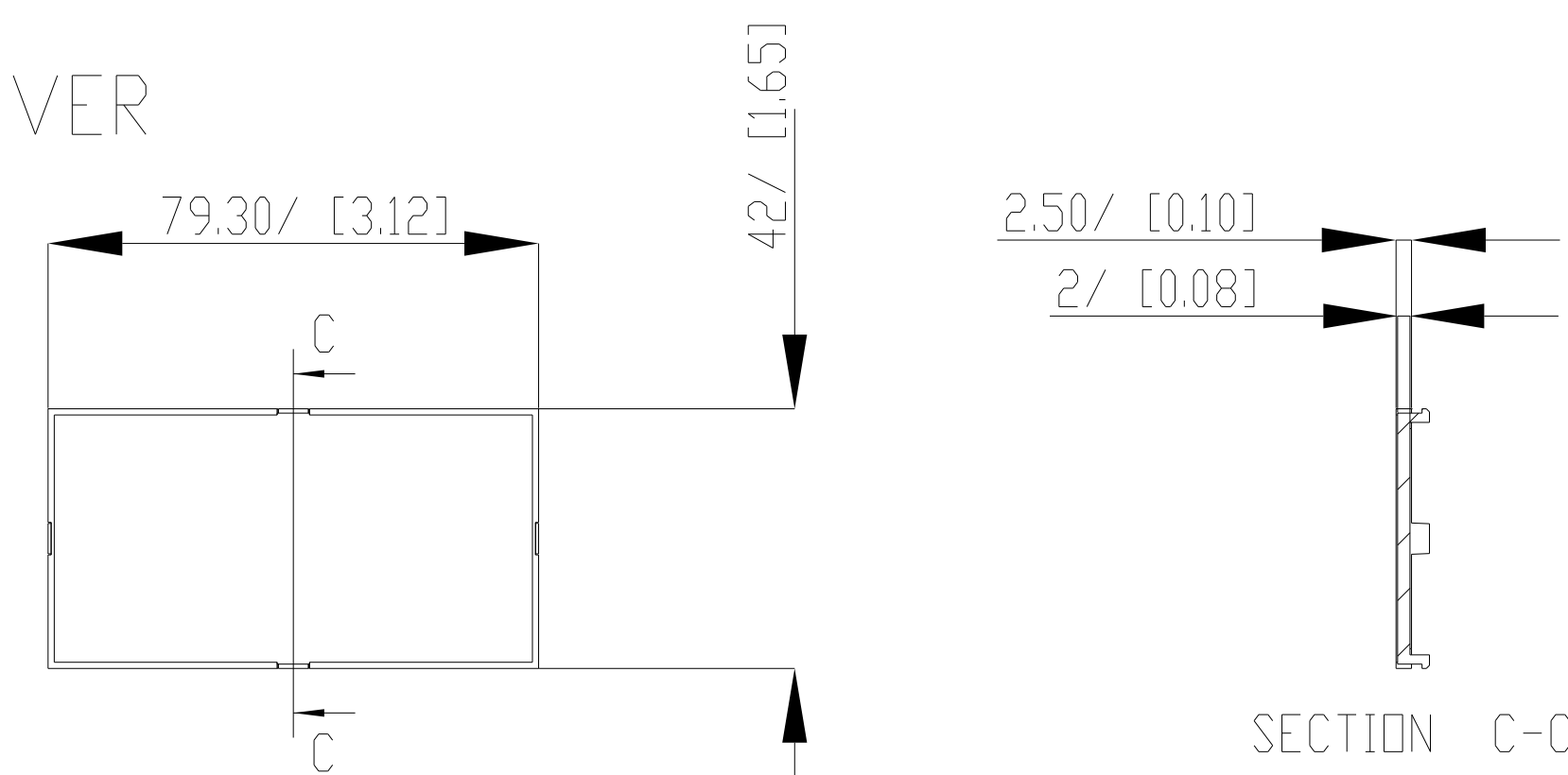
BODY



BASE



COVER



Mouser Electronics

Authorized Distributor

Click to View Pricing, Inventory, Delivery & Lifecycle Information:

[Bud Industries:](#)

[DMB-4775-CB](#) [DMB-4775](#)