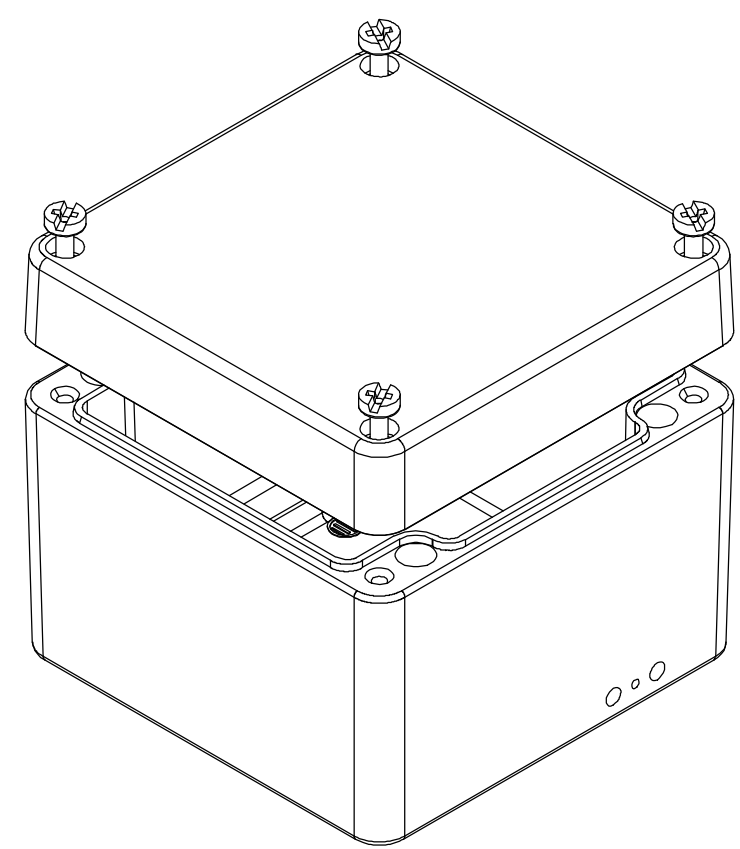


SECTION B-B



GENERAL SPECIFICATION AND AREA CLASSIFICATION:

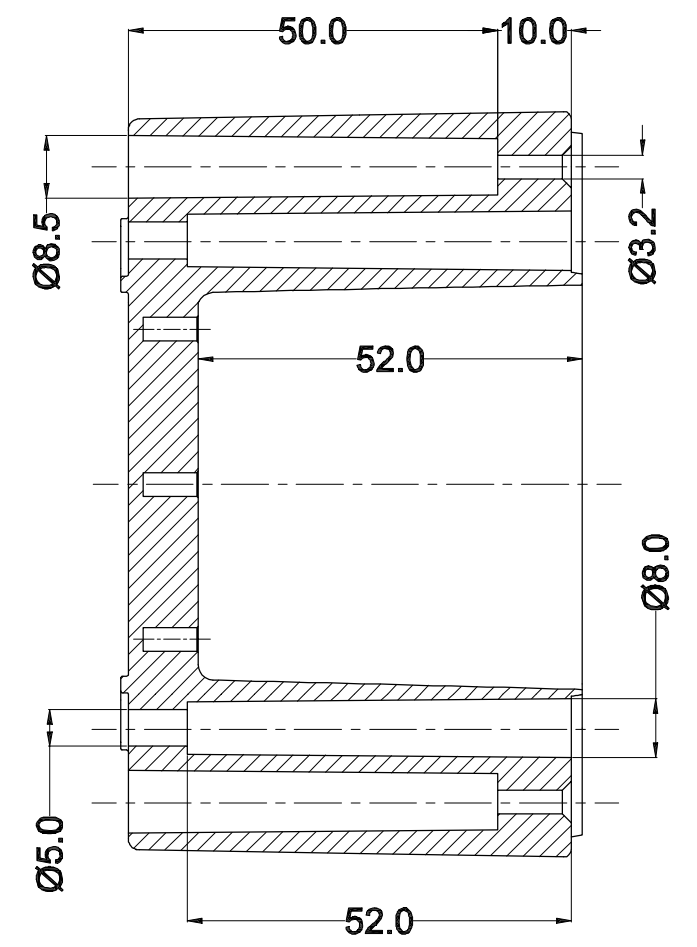
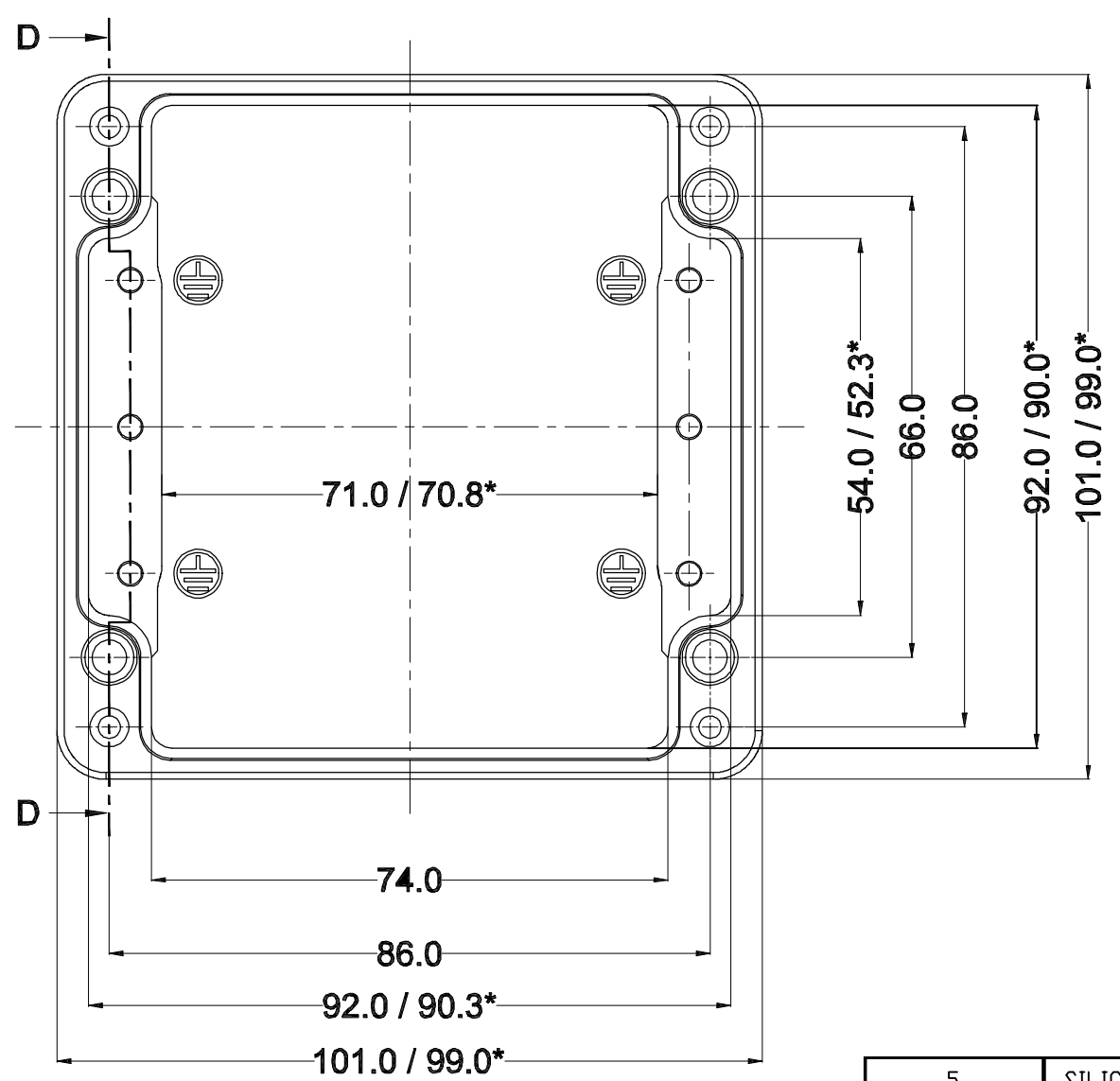
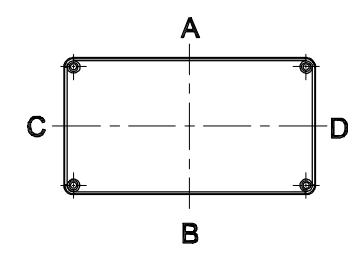
1. STANDARDS - IEC/EN 60079-0, IEC/EN 60079-7 & IEC/En 60079-31.
2. MATERIAL COMPOSITION - AISI 12
3. DEGREE OF PROTECTION IP66 AS PER IEC 60529 : 1989 +A1 : 2000
4. GASKET MANUFACTURER - WACKER CHEMIE AG, MODEL: CENUSIL R 150 AND - CONTINOUS OPERATING TEMPERATURE AS - 70°C TO 200°C
5. MAGNESIUM , TITANIUM AND ZIRCONIUM CONTENTS ARE < 2%.
6. SERVICE TEMPERATURE RANGE : - 50 °C to +135 °C
7. ALL DIMENSIONS ARE IN mm. UNLESS STATED OTHERWISE.
8. SURFACE WILL BE POWDER COATED.
9. THE JUNCTION BOX WILL BE MARKED WITH

II 2 G Ex e IIC Gb
 II 2 D Ex tb IIIC Db IP 66 IP
 0539
 DEMKO 13 ATEX 1327771U
 IECEX UL 13.0042U

10. TRADE MARK

11. TIGHTENING TORQUE - (2-3) NM

NOT TO BE REVISED WITHOUT NOTIFICATION TO THE EXCB/NOTIFIED BODY



SECTION D-D

Opening Detail (Size)	NO OF HOLES SIDE A/B	Min. Distance between the opening for Side A/B (mm)	NO OF HOLES SIDE C/D	Min. Distance between the opening for Side C/D (mm)	Opening Detail (Size) PG	NO OF HOLES SIDE A/B	Min. Distance between the opening for Side A/B (mm)	NO OF HOLES SIDE C/D	Min. Distance between the opening for Side C/D (mm)	Min. Distance of last opening from the enclosure end on side A/B (mm)	Min. Distance of last opening from the enclosure end on side C/D (mm)
M12	6	11	4	11	Pg.7	6	11	4	11	15	29
M16	6	11	4	11	Pg.9	6	11	4	11	15	29
M20	5	9	3	9	Pg.11	6	8	4	8	15	26
M25	2	15	1	-	Pg.13.5	5	9	3	9	17	29
M32	1	-	1	-	Pg.16	3	11	2	10	18	30
M40	-	-	-	-	Pg.21	2	11	1	-	16	29
M50	-	-	-	-	Pg.29	1	-	1	-	18	29
M63	-	-	-	-	Pg.36	-	-	-	-	-	-
-	-	-	-	-	Pg.42	-	-	-	-	-	-
-	-	-	-	-	Pg.48	-	-	-	-	-	-
-	-	-	-	-	-	-	-	-	-	-	-

SR.NO.	PART NAME	DRAWING NO.	MATERIAL	QTY
5	SILICON GASKATE	-	SILICON	1
4	LID (CLAMPING) SCREW	-	AISI 304 / AISI 316	4
3	EARTHING SCREW	-	MS/304/316/COPPER	4
2	BASE JUNCTION BOX 100 X 100 X 81	Ex-R-1010081-B	AISI 12	1
1	LID JUNCTION BOX 100 X 100 X 81	Ex-R-1010081-L	AISI 12	1

FINISH:
GRAY TEXTURE POWDERCOAT RAL 7001

OPTIONAL ACCESSORIES:
STEEL MOUNTING PLATE #MPX-503
ALUMINUM MOUNTING PLATE #MTX-503-A
EXTERNAL BRACKETS KIT #MTX-4503

DRAWING FOR REFERENCE

WE RESERVE THE RIGHT TO MAKE CHANGES TO OUR STANDARD PRODUCTS. PLEASE CONSULT WITH BUD INDUSTRIES PRIOR TO USING THIS DRAWING FOR DESIGN PURPOSE.

ALL DIMENSIONS ARE IN MM

PART NAME	EXPLOSION PROOF ENCLOSURE
-----------	---------------------------

PART No.	ATX-10503 (Ex-AJB-10010081)
----------	--------------------------------

REV. DATE	10-27-15
-----------	----------

PROPERTY OF RaychemRPG (P) LTD.
ALL RIGHTS RESERVED AND/OR PHOTOCOPYING THIS DOCUMENT
TO A PERSON WITHOUT RaychemRPG (P) LTD. WRITTEN AUTHORIZATION IS PROHIBITED

B.D.M.

Mouser Electronics

Authorized Distributor

Click to View Pricing, Inventory, Delivery & Lifecycle Information:

[Bud Industries:](#)

[ATX-10503](#)